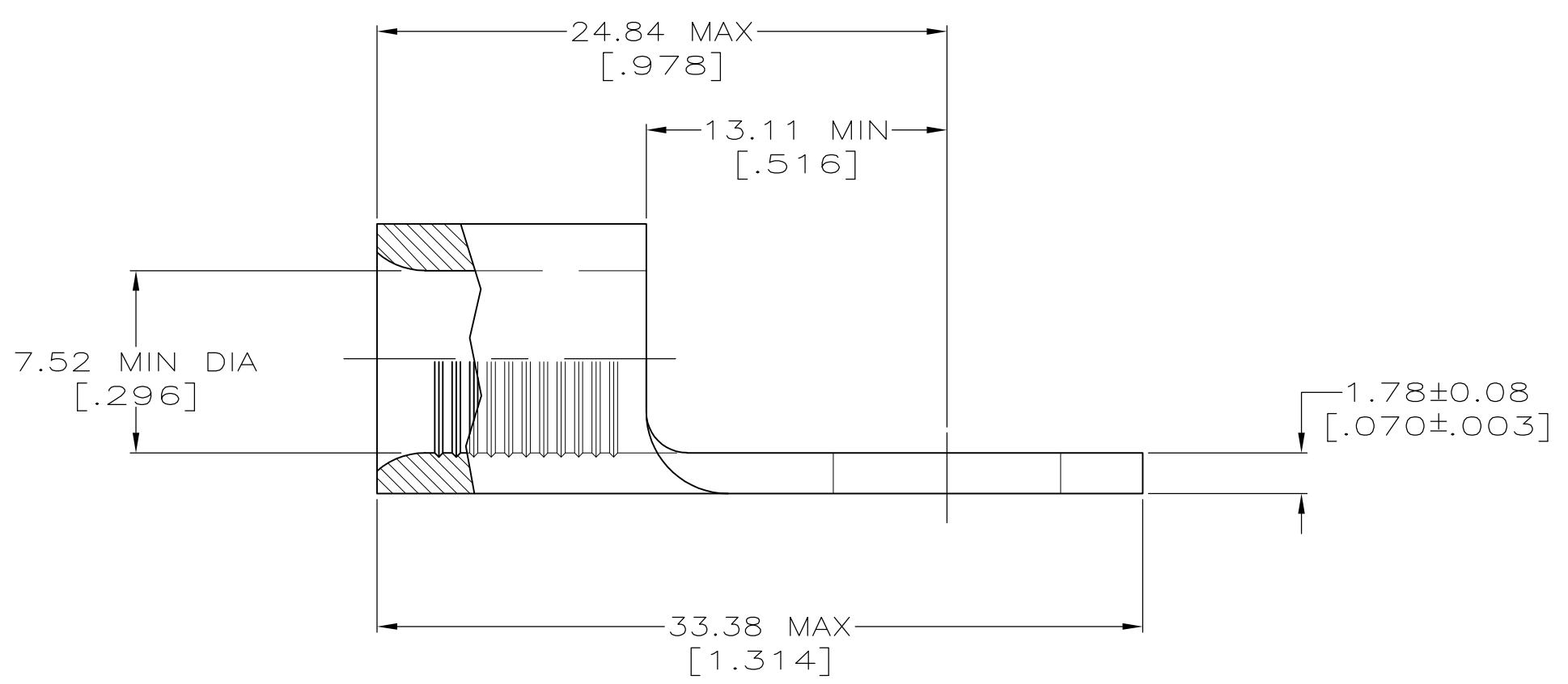


AMP WIRE RANGE	E13288 Listed
4 AWG SOLID OR STRANDED	4 AWG STRANDED
LR7189 Certified	MILITARY P/N AND CLASS
4 AWG SOLID OR STRANDED	NOT APPLICABLE

- ① STAMP AMP 4* APPROX AS SHOWN
- ② TIN PLATE 0.00254[.000100] MIN THK PER MIL-T-10727
- ③ OBSOLETE PARTS: OBSOLETE CIS STREAMLINING PER D.RENAUD/D.SINISI



AMP INCORPORATED CUSTOMER SERVICE SYSTEMS

MAX RECOMMENDED OPERATING TEMPERATURE:
170° C MAX

FOR ADDITIONAL PRODUCT INFORMATION OR COPIES OF DRAWINGS AND TECHNICAL DOCUMENTS

PRODUCT INFORMATION CENTER
1-800-522-6752

VOLTAGE RATING:
NOT APPLICABLE

FOR APPLICATION TOOLING INFORMATION

TOOLING ASSISTANCE CENTER
1-800-722-1111

WIRE CROSS SECTIONAL AREA RANGE:
16.8-26.7mm² [33,100-52,600] CIR MILS
SOLID OR STRANDED

FOR ORDER ENTRY

1-800-526-5142

THIS DRAWING IS A CONTROLLED DOCUMENT FOR AMP INCORPORATED. IT IS SUBJECT TO CHANGE AND THE CONTROLLING ENGINEERING ORGANIZATION

OBSOLETE	②	25	LOOSE PIECE, BAG	8-33471-5
	②	50	LOOSE PIECE, BOX	8-33471-2
OBSOLETE	②	500	LOOSE PIECE, BOX	2-33471-3
OBSOLETE	②	500	ON TAPE, REEL	1-33471-2
OBSOLETE	②	CLEANED	LOOSE PIECE	1-33471-1
	②	-	LOOSE PIECE	33471

THIS DRAWING IS A CONTROLLED DOCUMENT.		DWN	3-29-93	TE Connectivity
		CHK	3-29-93	
		APVD	3-29-93	
		NAME	DE MILLER	
DIMENSIONS: MM[INCHES]	TOLERANCES UNLESS OTHERWISE SPECIFIED:	PRODUCT SPEC		TERMINAL, RING TONGUE, SOLISTRAND™
	0 PLC ± - 1 PLC ± - 2 PLC ± - 3 PLC ± - 4 PLC ± - ANGLES ± ± -	APPLICATION SPEC		
MATERIAL COPPER PER ASTM B-152 ANNEALED	FINISH SEE TABLE	WEIGHT	-	SIZE
		CUSTOMER DRAWING		CAGE CODE
				DRAWING NO
				RESTRICTED TO
				A2 00779 G-33471
				SCALE
				4:1
				SHEET
				1 of 1
				REV
				P2