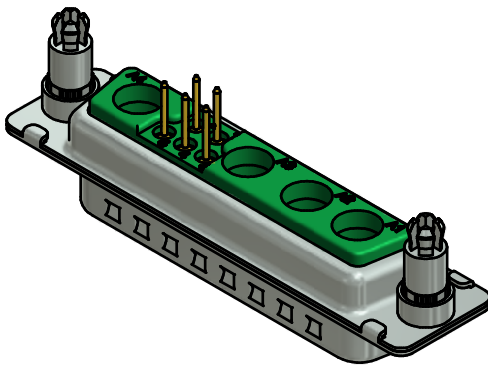
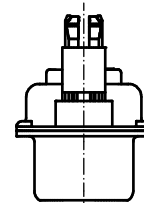
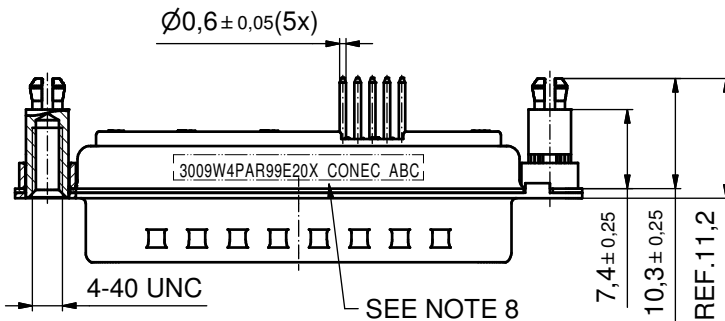
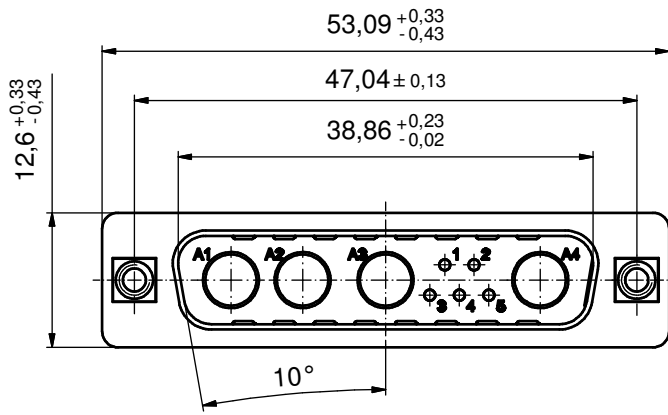
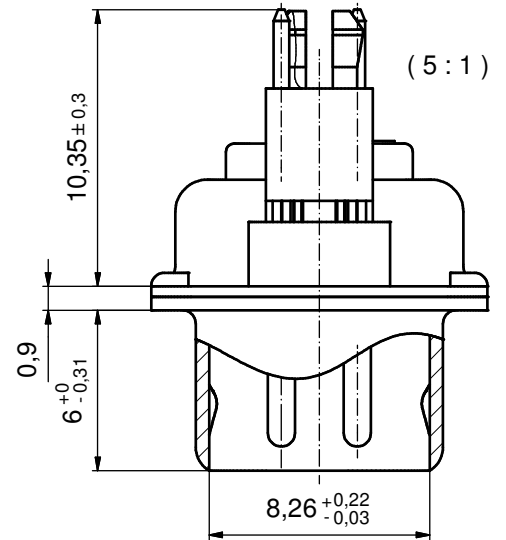
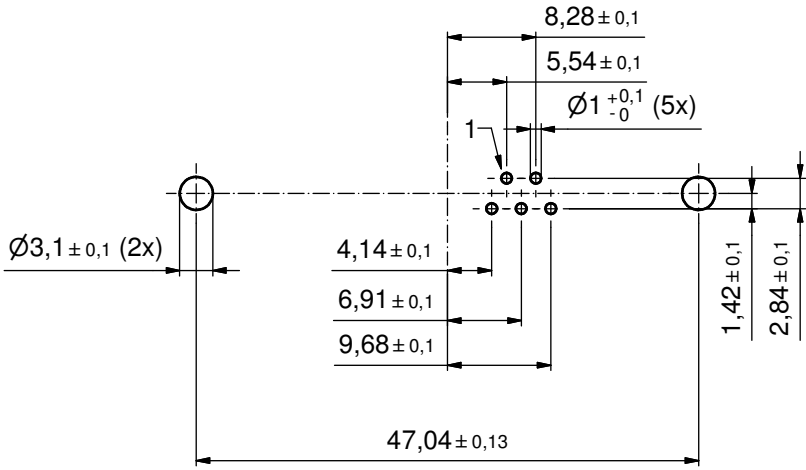


P.C.B. HOLE DRILLINGS
(P.C.B. TOP SIDE)



NOTES:

- METAL SHELLS: STEEL; min. 315µm TIN over 40-80µm NICKEL
- INSULATOR: PBT GF UL 94 V-0, GREEN
- SIGNAL CONTACTS: COPPER ALLOY
PLATING: GOLD FLASH over NICKEL
- NO CONTACTS ON POS. A1 - A4
- THREADED SPACER CLIPS: COPPER ALLOY; min. 200µm TIN over 80µm NICKEL
PCB-HOLE: $\varnothing 3.1 \pm 0.1$; PCB THICKNESS 1,6mm
- COLLARS: COPPER ALLOY; min. 200µm TIN over 80µm NICKEL
- MAXIMUM TORQUE VALUE FOR THREAD: 6 in.LB
- CONNECTOR IS PART MARKED: 3009W4PAR99E20X CONEC ABC

Directive 2002/95/EC RoHS compliant

THIS DRAWING MAY NOT BE COPIED OR REPRODUCED IN ANY WAY, AND MAY NOT BE PASSED ON TO A THIRD PARTY WITHOUT WRITTEN PERMISSION. OWNERSHIP AND COPYRIGHT OF CONEC GmbH DO NOT ALTER CAD DRAWING BY HAND			tolerance		scale: 2:1 (5:1)
			date	name	material: SEE NOTES
	drawn	14.10.11	Henneboel		title: D-SUB COMBINATION MALE 9W4P with threaded spacer clip
	appd.	14.10.11	Koch		
	norm				
		d-old		dwg no:	DIN-A3
a	Original				sh: 1
rev.	description	date	name	CONEC	part no: 13K1A3791
					part no: 3009W4PAR99E20X