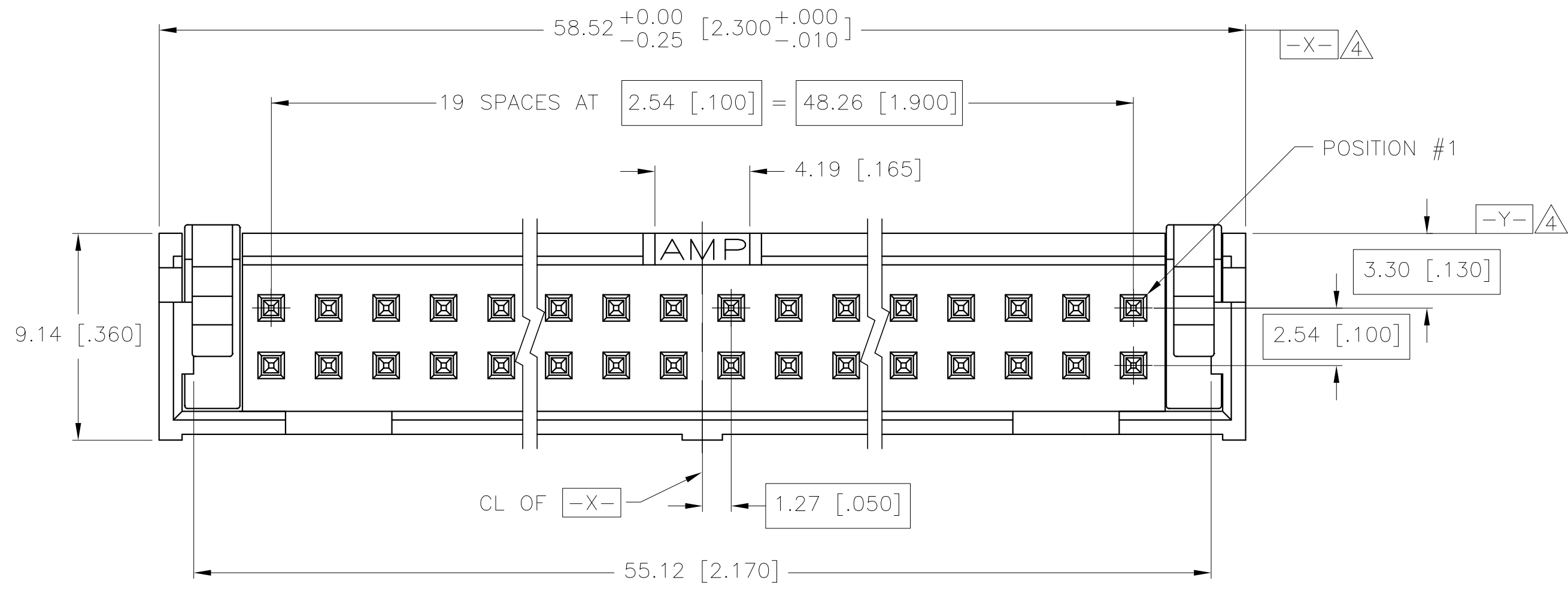
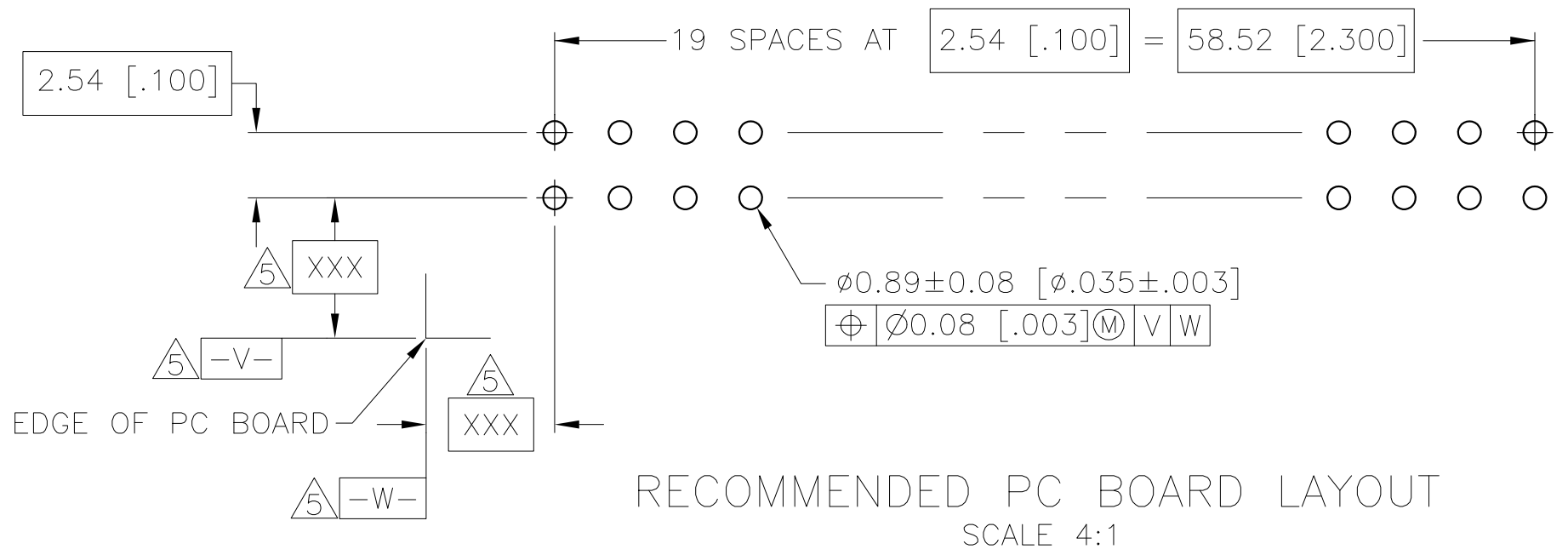
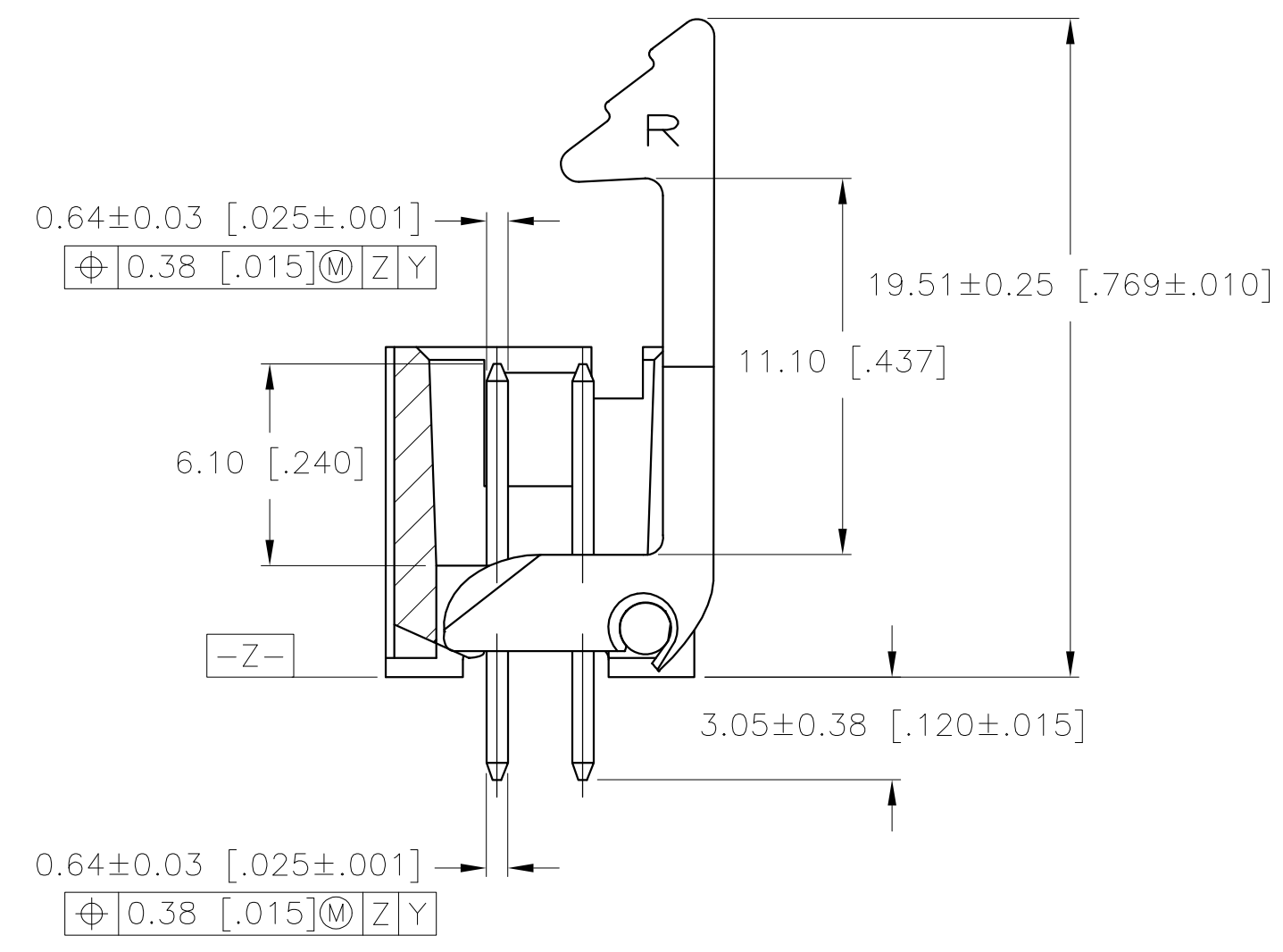
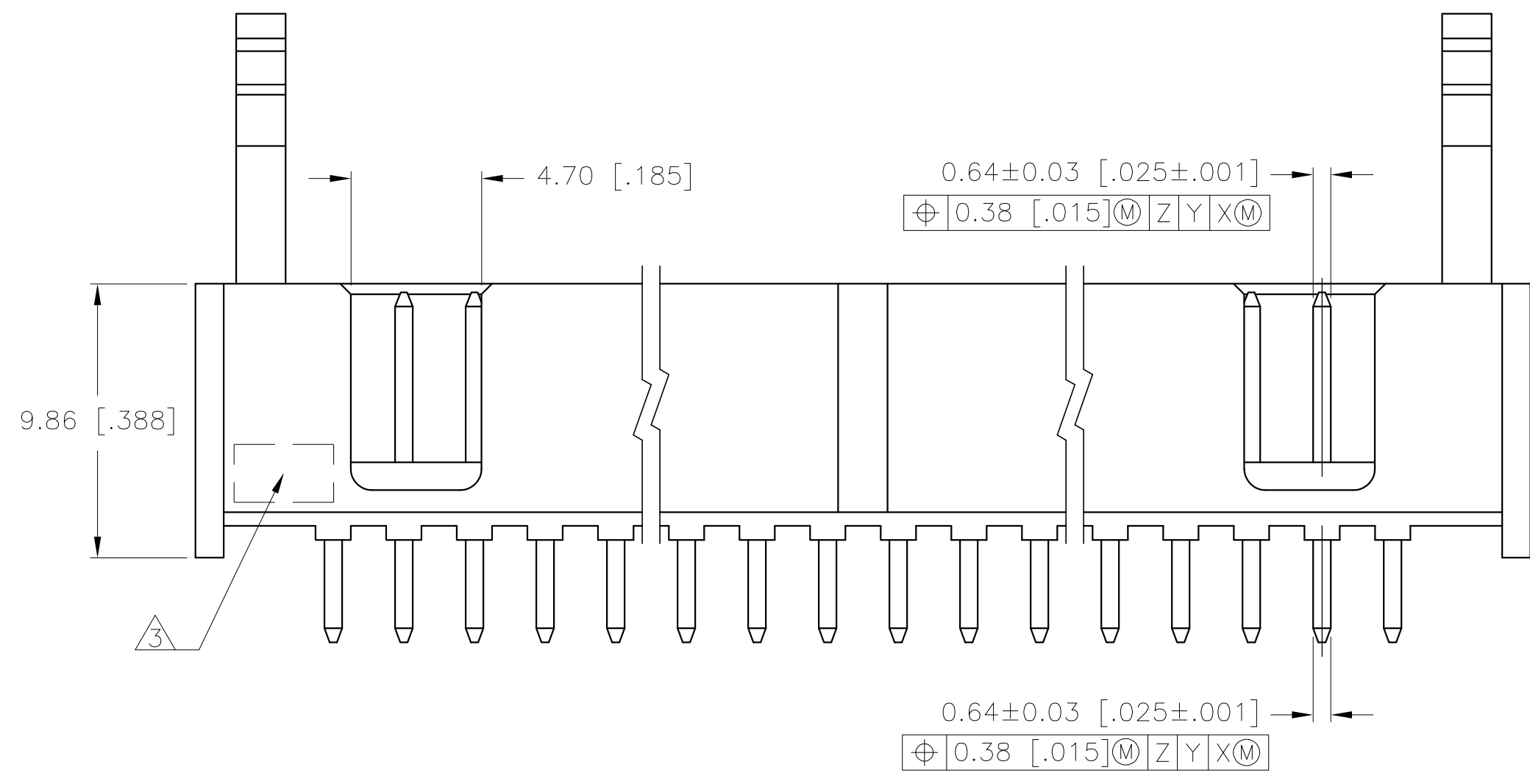


THIS DRAWING IS UNPUBLISHED. RELEASED FOR PUBLICATION  
 © COPYRIGHT BY TYCO ELECTRONICS CORPORATION. ALL RIGHTS RESERVED.

LOC		DIST		REVISIONS			
P	LTR	DESCRIPTION	DATE	DWN	APVD		
GP	00	REVISED PER ECO-08-005380	10JUN2008	ZMR	SLB		



- ① HOUSING: GLASS FILLED NYLON, 94V-0 RATED, COLOR BLACK. POSTS: BRASS.
- ② POSTS: GOLD FLASH OVER PALLADIUM-NICKEL PLATE, .000030 MIN TOTAL ON THE MATING SURFACES, .000100 MIN TIN LEAD PLATE ON THE SOLDER TAILS, .000050 MIN NICKEL UNDERPLATE ON THE ENTIRE POST.  
OR  
.000030 MIN GOLD PLATE ON THE MATING SURFACES, .000100 MIN TIN-LEAD PLATE ON THE SOLDER-TAILS, .000050 MIN NICKEL UNDERPLATE ON THE ENTIRE POST.
- ③ OPTIONAL DATE CODE LOCATED IN AREA INDICATED.
- ④ DATUMS X & Y APPLY AT THE INTERSECTION OF HOUSING AND POSTS.
- ⑤ DATUMS AND BASIC DIMENSIONS TO BE ESTABLISHED BY CUSTOMER.
- 6. POSTS OMITTED FROM POSITIONS 27, 30-35 & 37-40.



THIS DRAWING IS A CONTROLLED DOCUMENT.		DWN J.GERACE 05FEB04	Tyco Electronics Corporation Harrisburg, PA 17105-3608	
DIMENSIONS: mm [INCHES]		CHK S.BOLASH 05FEB04		
TOLERANCES UNLESS OTHERWISE SPECIFIED:		APVD M.WALMSLEY 05FEB04	NAME	
0 PLC ± -		PRODUCT SPEC	108-40018	
1 PLC ± -		APPLICATION SPEC	-	
2 PLC ± 0.13 [.005]		WEIGHT	-	
3 PLC ± -		CUSTOMER DRAWING	-	
4 PLC ± -		SCALE 5:1	SHEET 1 OF 1	
ANGLES ± -		REV E		
FINISH				

40	1658196-1
NO OF POS	PART NUMBER