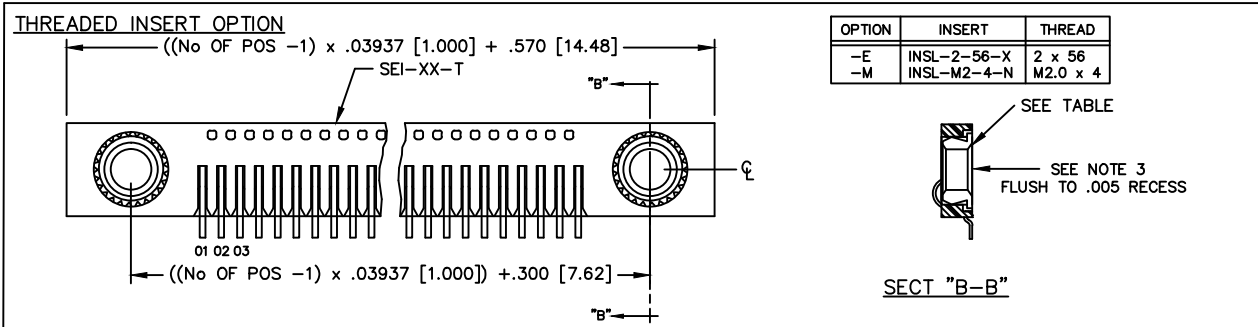
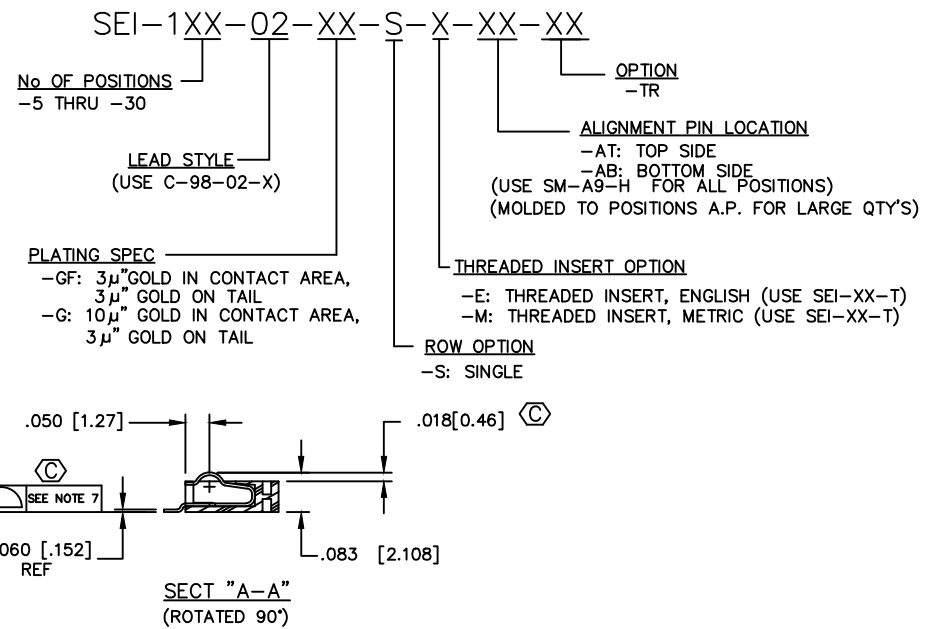
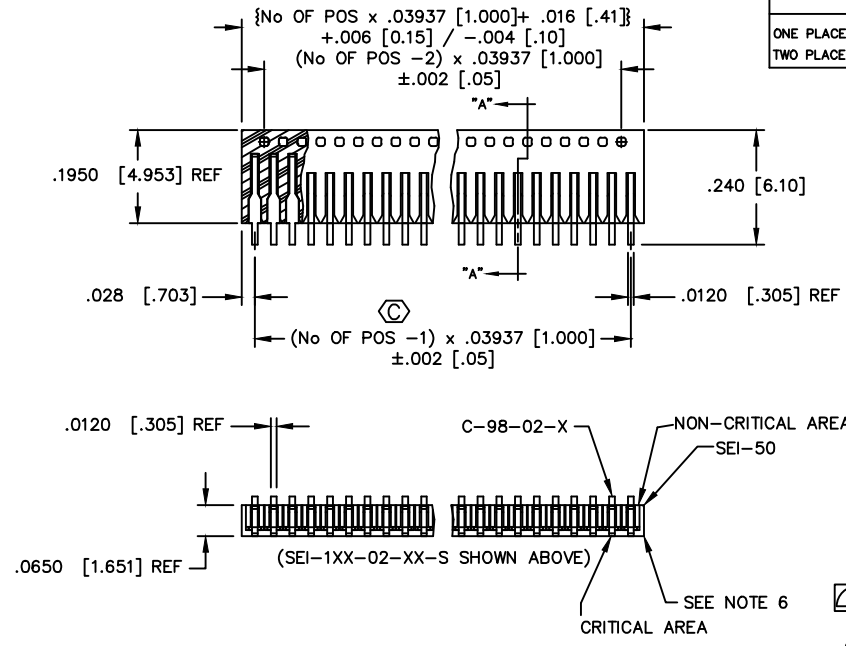
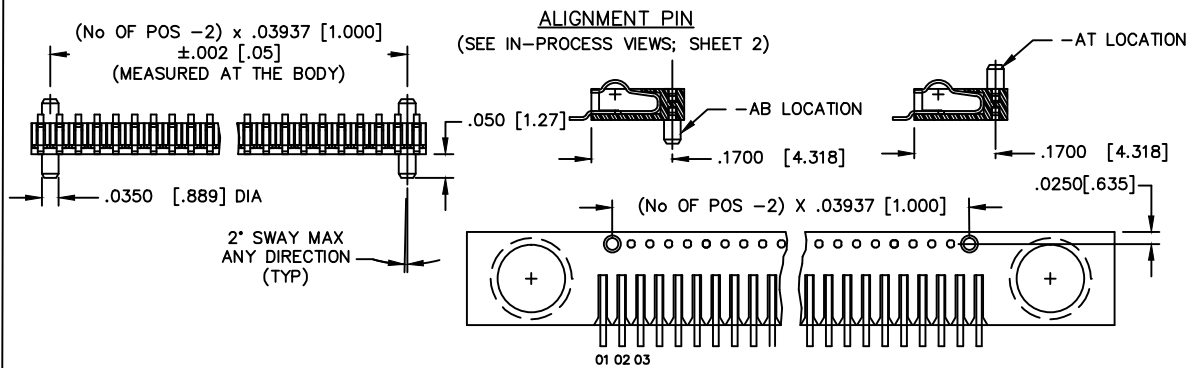


UNLESS OTHERWISE NOTED
 DIMENSIONS ARE IN INCHES TOLERANCES ARE:
 ONE PLACE DECIMALS ±.1[2.5] THREE PLACE DECIMALS ±.005[.13]
 TWO PLACE DECIMALS ±.01[.3] FOUR PLACE DECIMALS ±.0020[.051]

TITLE: 1mm SINGLE ELEMENT INTERFACE
 DWG NO: SEI-1XX-02-XX-S-X-XX-XX
 SHEET 1 OF 2



- NOTES:
- ⊕ REPRESENTS A CRITICAL DIMENSION.
 - MINIMUM PUSHOUT FORCE: 6 OZ.
 - LOAD INSERTS IN DIRECTION OF ARROW. (←M INSERTED FROM TOP; ←E INSERTED FROM BOTTOM)
 - PACKAGE ALL POSITIONS IN A PT-1-24-01-68 WITH TWO TP-12 PLUGS PER TUBE.
 - THREADED INSERT MUST BE ABLE TO HANDLE 20 IN-OZ'S OF TORQUE MIN (WITHOUT ROTATING OR "LOOSENING").
 - NO CUT FLASH IN CRITICAL AREAS AS SHOWN. .010" MAX CUT FLASH IN NON-CRITICAL AREAS AS SHOWN.
 - CO-PLANARITY FOR POS. -10 THRU -25 .004" MAX. FOR POS. -26 THRU -30 .006" MAX. CO-PLANARITY IS THE PLANE FORMED BY THE BOTTOM OF THE BODY & THE BOTTOM OF THE CONTACT.
 - USE SM-A9 FOR ALL ALIGNMENT OPTIONS EXCEPT 5 & 10 POSITIONS ONLY USE SM-A9-H.
 - BODIES MAY BE USED MTP WITH OR WITHOUT ALIGNMENT PINS AT PURCHASING DISCRETION.
 - OPERATORS ORIENTATE INSULATORS IN CUTTING TOOL BODIES LOADED WITH FINS OF INSULATOR DOWN AND TOWARD OPERATOR (SEE SHEET 2, FIG. 3).



PROPRIETARY NOTE
 THIS DOCUMENT CONTAINS INFORMATION CONFIDENTIAL AND PROPRIETARY TO SAMTEC INC. AND SHALL NOT BE REPRODUCED OR TRANSMITTED IN ANY FORM OR BY ANY MEANS, ELECTRONIC OR MECHANICAL, INCLUDING PHOTOCOPYING, RECORDING, OR BY ANY INFORMATION STORAGE AND RETRIEVAL SYSTEM, WITHOUT THE WRITTEN CONSENT OF SAMTEC INC.

samtec
 EXISPROD/ASSEMBLY/1MM
 SEI-ASM
 520 PARK EAST BLVD. NEW ALBANY, INDIANA 47150
 PHONE (812) 944-6733 P.O. BOX 1147
 CODE 55322