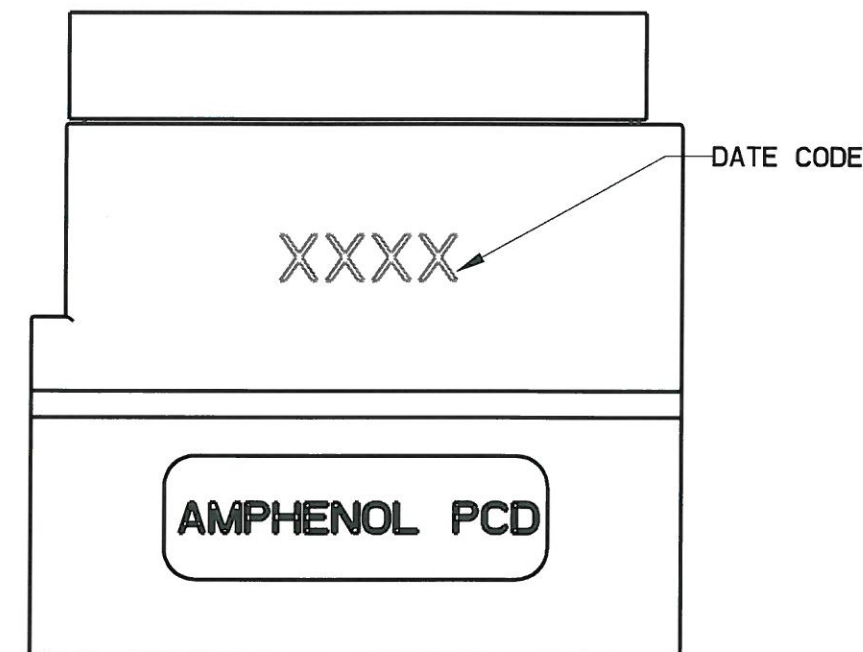
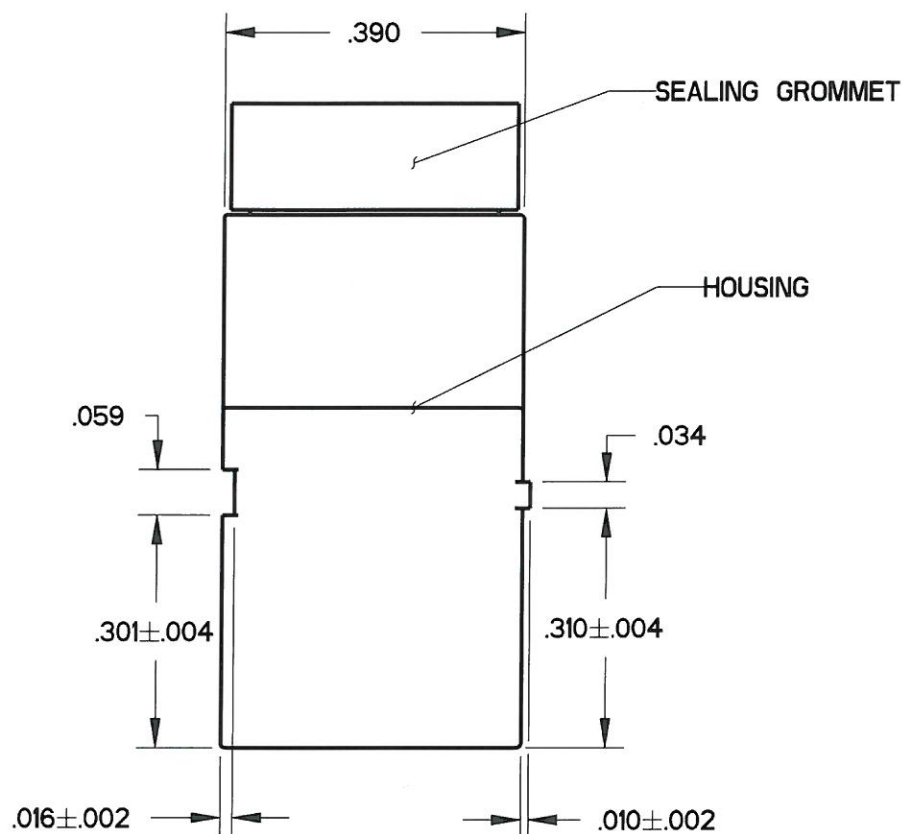
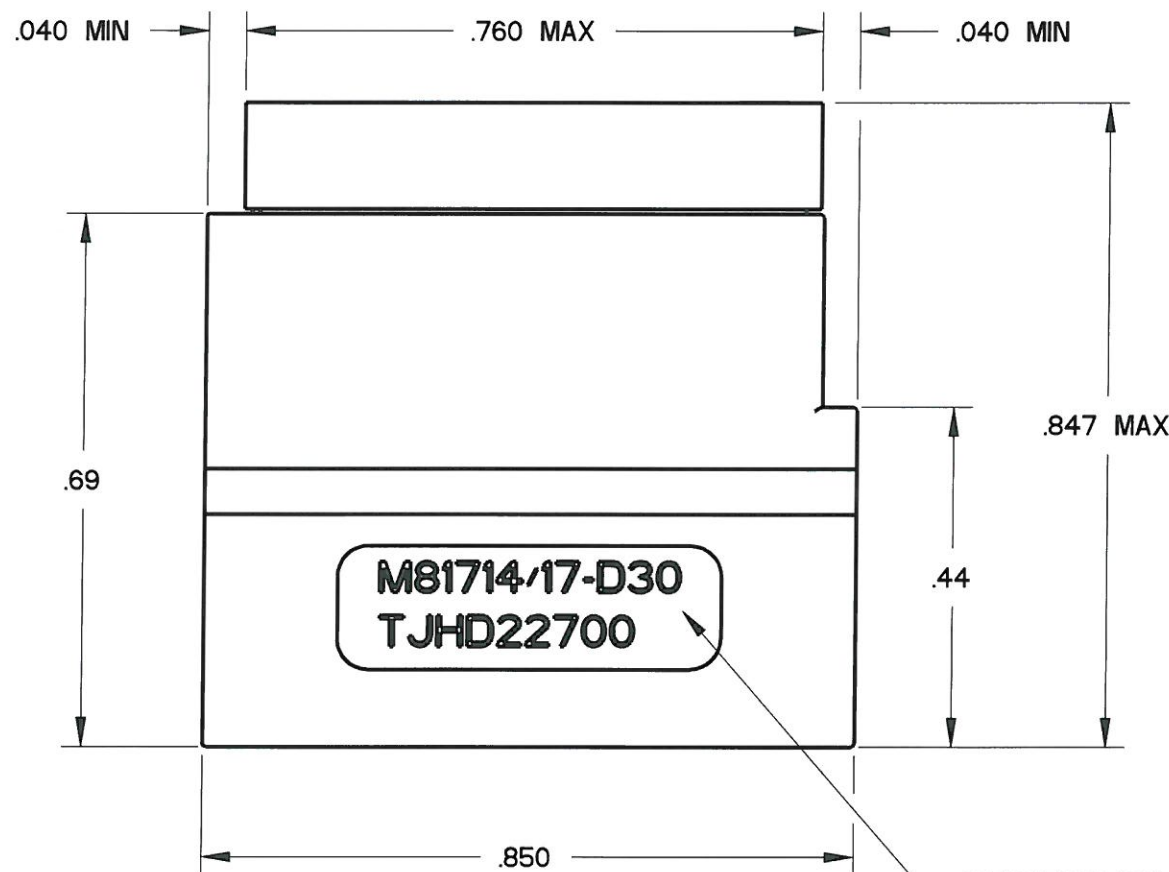
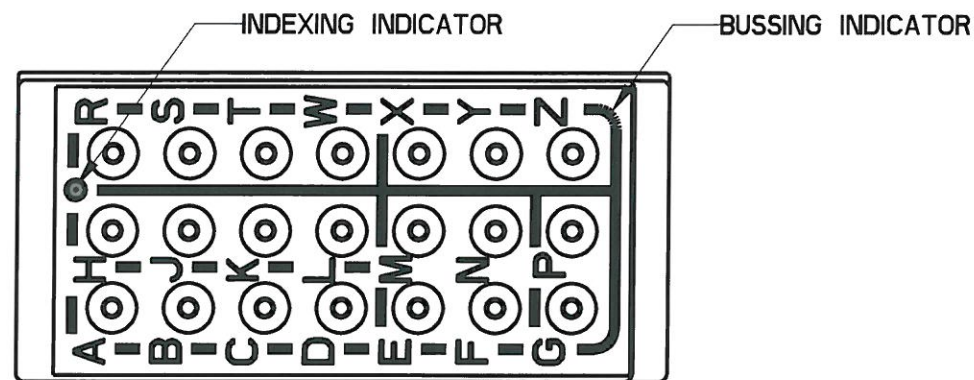


REV	ECN	APP'D
-	2939	JR 2/7/97
A	3043	AP 7/22/97
B	3338	JR 7/16/98
C	6200	JT 8/25/08
D	6349	<i>[Signature]</i> 9/27/10



M81714/17-D30
TJHD22700

AMPHENOL PCD

IDENTIFICATION CHARACTERS
.06 HEIGHT

- NOTES:
1. MATERIAL:
HOUSING - THERMOPLASTIC, COLOR: BLACK.
GROMMET - SILICONE RUBBER, COLOR: BLUE
INTERNAL BUSSING - COPPER ALLOY
2. MODULE ACCEPTS M39029/1-507 PIN CONTACTS

PART NO.	INCLUDED W/ MODULE
TJHD22600	MODULE ONLY
TJHD22700	22 EACH M39029/1-507 PIN CONTACTS 2 EACH MS27488-22 SEALING PLUGS

DIMENSIONS ANSI Y14.5M UNITS: INCHES Pro/E FILE	TOLERANCES .XX ±0.01 .XXX ±0.005 ANGLES ±2.0°	PROJECTION 	Amphenol Pcd SPECIFICATION DRAWING	
			ENGR A. PATRIE 03/08/06	TITLE MODULE, TERMINAL JUNCTION SIZE 22, HI-DENSITY D30 BUS ARRANGEMENT
ORIGINAL 	THIS DOCUMENT CONTAINS PROPRIETARY INFORMATION WHICH IS THE CONFIDENTIAL PROPERTY OF AMPHENOL PCD, BEVERLY, MA		CHKD <i>[Signature]</i> 9/27/10	APPD <i>[Signature]</i> 9/27/10

SIZE	DWG NO.	REV
B	TJHD22600	D
CODE: 58982	SCALE: 4:1	SHEET 1 OF 1

TJHD22600

TJHD22600