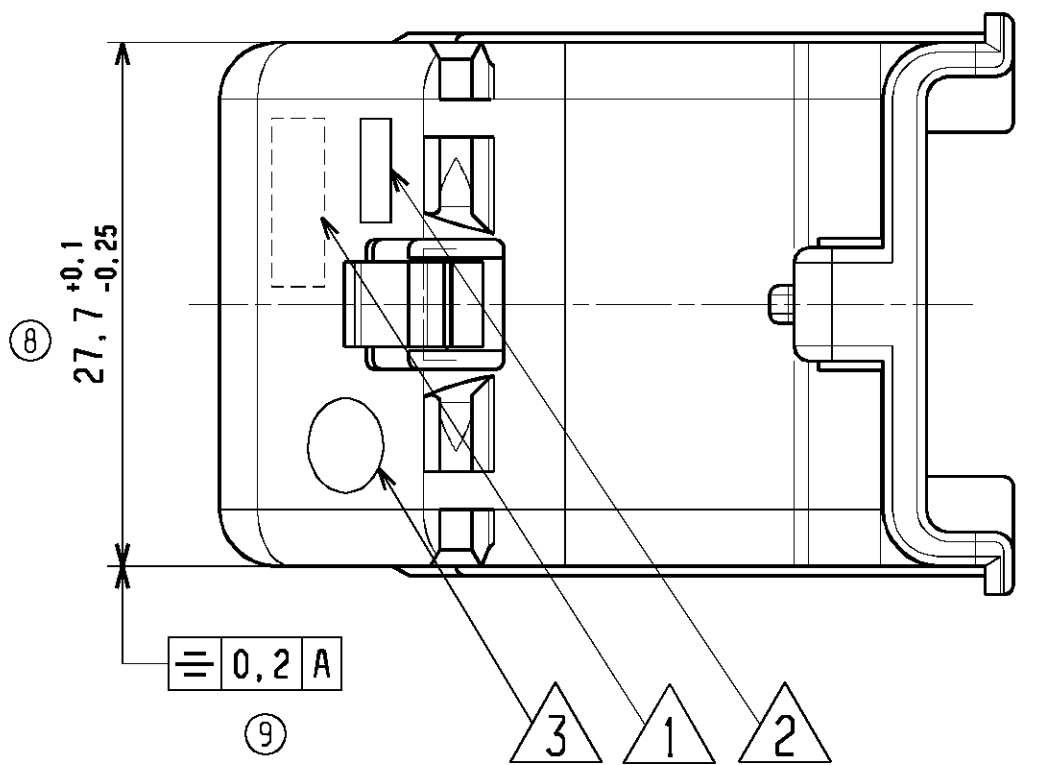
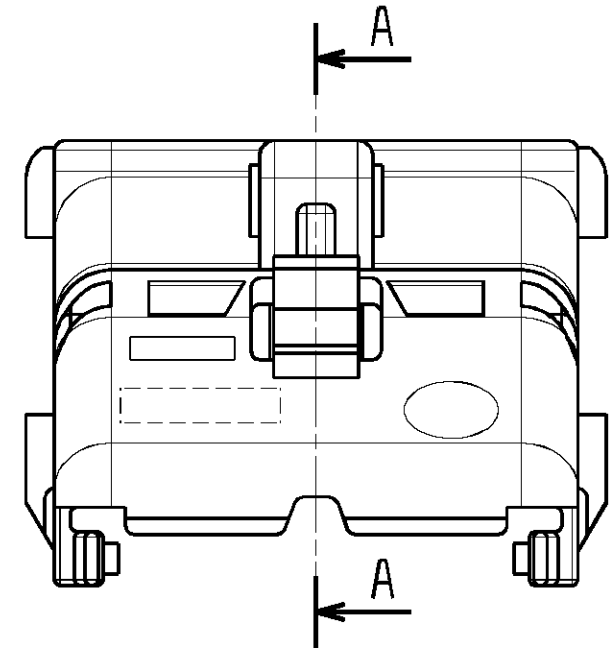
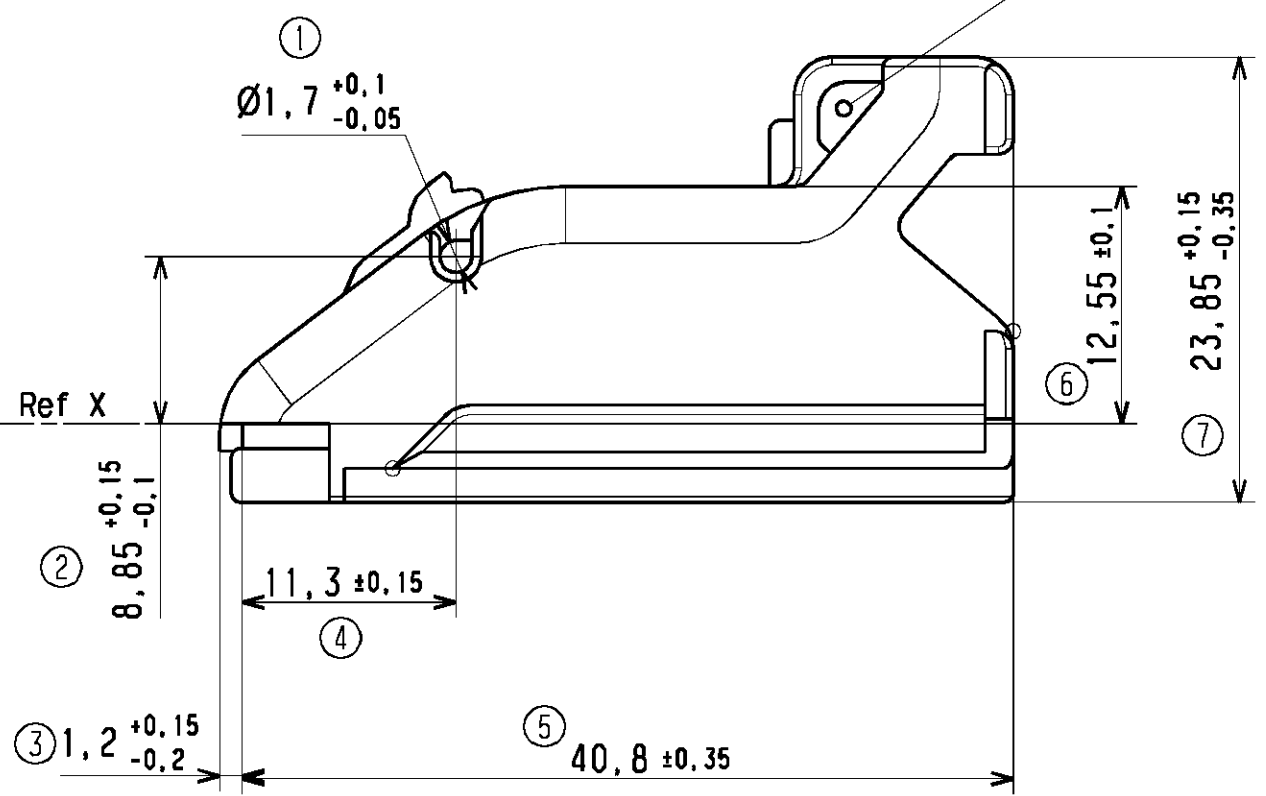
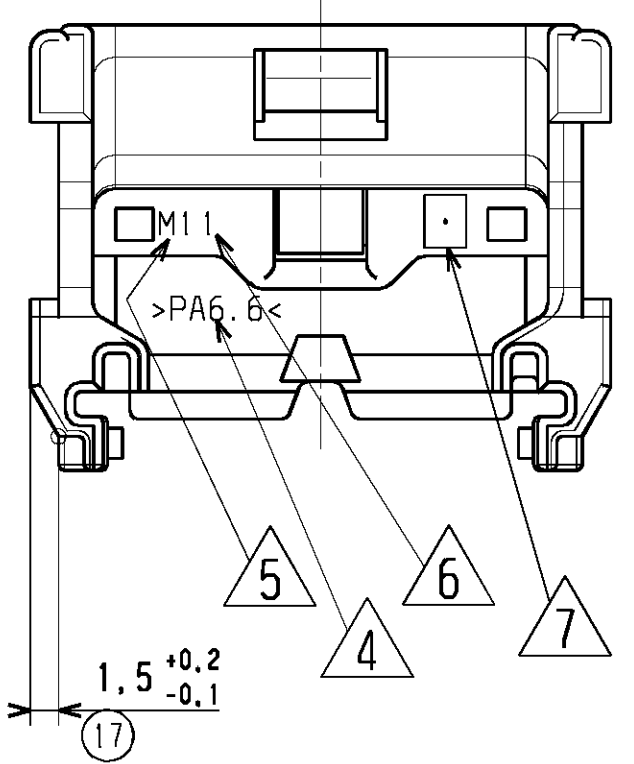


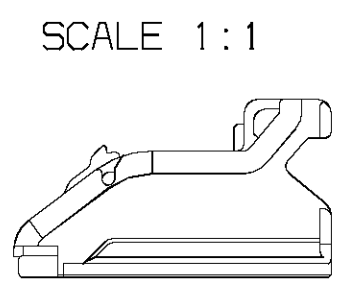
This hole accept a cable-tie  
maximum section 3,2x1,2mm

MARKINGS

1	Supplier identification
2	Supplier part number
3	Date MONTH/YEAR
4	Material
5	Mould identification M1 ou M2
6	Print identification (number)
7	Revision level identification



- NOTES
- 1-MATERIAL : PA 6.6 BLACK heat stabilized
  - 2-DELIVERED PRODUCT WEIGHT: 5.0 g
  - 3-RELATED COUNTERPART FEMALE CONNECTORS (48WAY)



UPDATED DRAWING EC NO:G2008-0367 DRWN:TBADAROUX 2008/05/16 CH*KD:PGRANDCL 2008/05/16 APPR:CBOUCHAN 2008/05/16	DESCRIPTION	GENERAL TOLERANCES (UNLESS SPECIFIED)		DIMENSION STYLE	SCALE	DESIGN UNITS	FIRST ANGLE PROJECTION
		mm	INCH	MM ONLY	2,5:1	METRIC	
DRAFT WHERE APPLICABLE MUST REMAIN WITHIN DIMENSIONS	REV	4 PLACES ±	±	DRAWN BY	DATE	TITLE	
		3 PLACES ±	±	TBADAROUX	2007/07/16	WIRE CAP 48 WAY MAT SEAL VERSION	
ANGULAR ± 2 °	REV	2 PLACES ± 0.1	±	CHECKED BY	DATE	MATERIAL NO.	
		1 PLACE ± 0.1	±	PGANDCLAUDE	2007/07/16	0643201301	
MATERIAL NO.		ANGULAR ± 2 °		APPROVED BY	DATE	DOCUMENT NO.	
0643201301		ANGULAR ± 2 °		CBOUCHAN	2007/07/16	SD-64320-002	
SIZE		DRAFT WHERE APPLICABLE MUST REMAIN WITHIN DIMENSIONS		THIS DRAWING CONTAINS INFORMATION THAT IS PROPRIETARY TO MOLEX INCORPORATED AND SHOULD NOT BE USED WITHOUT WRITTEN PERMISSION		SHEET NO.	
A2		DRAFT WHERE APPLICABLE MUST REMAIN WITHIN DIMENSIONS		THIS DRAWING CONTAINS INFORMATION THAT IS PROPRIETARY TO MOLEX INCORPORATED AND SHOULD NOT BE USED WITHOUT WRITTEN PERMISSION		1 OF 1	