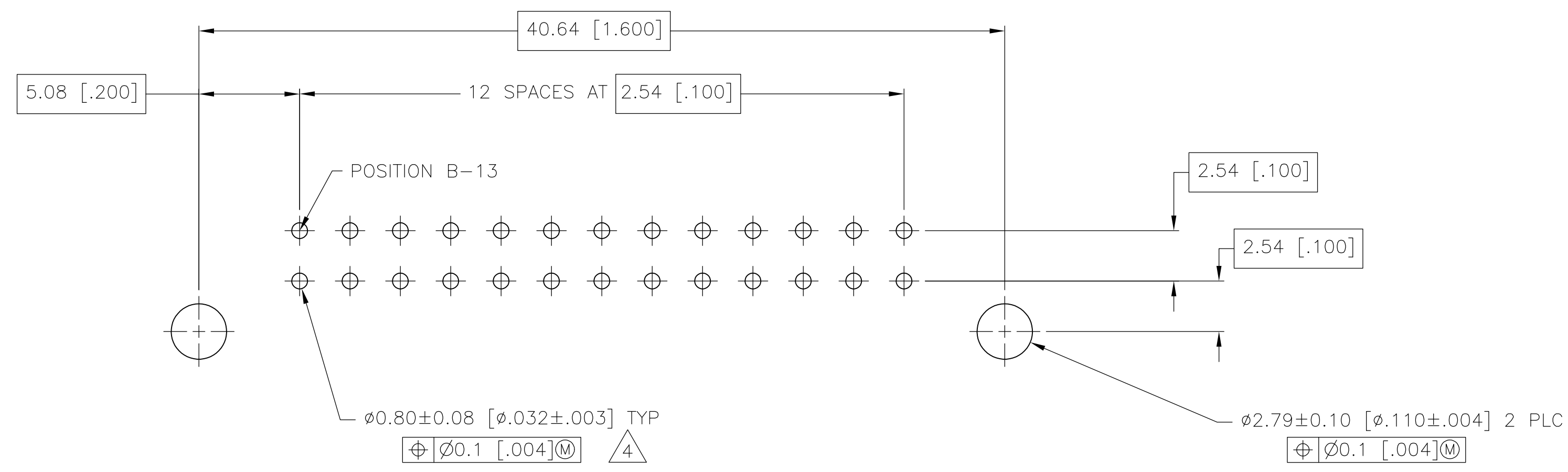
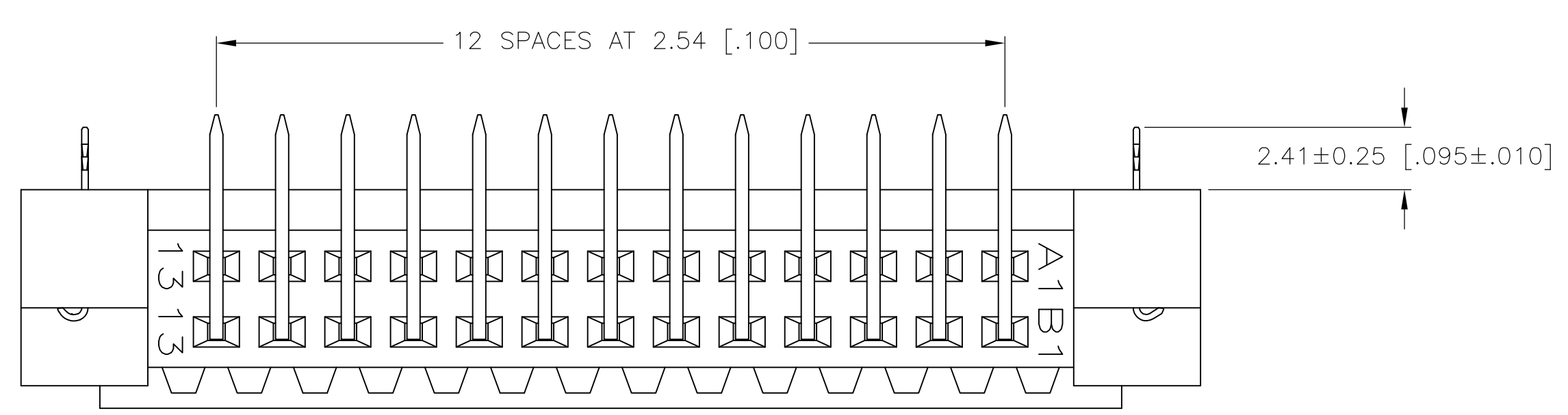


- 1 HOUSING MATERIAL: GLASS FILLED POLYESTER, COLOR: GRAY.
- 2 POST MATERIAL: BRASS
- 3 POST FINISH: 0.00076[.000030] MIN GOLD IN MATING AREA, 0.00254-0.00508[.000100-.000200] TIN-LEAD ON SOLDER TAILS, ALL OVER 0.00127[.000050] MIN NICKEL.
- 4 RECOMMENDED HOLE SIZE FOR MANUAL APPLICATION OF CONNECTOR ONTO PC BOARD.
- 5 PART NUMBER, DATE CODE MARKED ON OPPOSITE SIDE, THIS APPROX AREA.
- 6. CURRENT RATING - 2 AMPS MAXIMUM PER CONTACT.
- 7 POST FINISH: 0.00076[.000030] MIN GOLD IN MATING AREA, 0.00254-0.00508[.000100-.000200] MATTE TIN ON SOLDER TAILS, ALL OVER 0.00127[.000050] MIN NICKEL.



SECTION Z-Z

PC BOARD LAYOUT

SUPERSEDED BY 5-1571769-1	3	7	26	5-1571769-1
			26	1571769-1
FINISH	NO. OF POSN	PART NUMBER		

THIS DRAWING IS A CONTROLLED DOCUMENT.		DIN R BROWN 01DEC03	Tyco Electronics Corporation Harrisburg, PA 17105-3608	
DIMENSIONS: mm		CHK J GESFORD 03FEB03	APVD J GESFORD 03FEB03	
TOLERANCES UNLESS OTHERWISE SPECIFIED:		NAME: HEADER ASSEMBLY, EUROCARD, TYPE B, RIGHT ANGLE, WITH BOARD LOCKS		
0 PLC ± -	1 PLC ± -	PRODUCT SPEC		
2 PLC ± 0.13 [.005]	3 PLC ± -	APPLICATION SPEC		
4 PLC ± -	ANGLES ± -	SIZE: A1 00779 C=1571769		
MATERIAL: 1/2	FINISH: SEE TABLE	WEIGHT: -	RESTRICTED TO: -	
CUSTOMER DRAWING		SCALE: 1:1	SHEET: 1 OF 1	REV: C