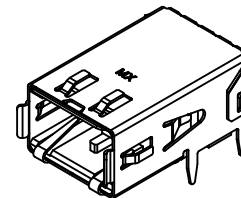
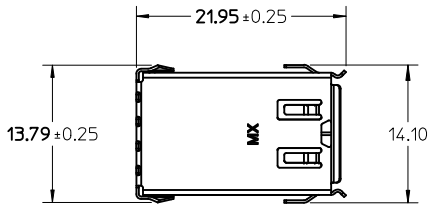
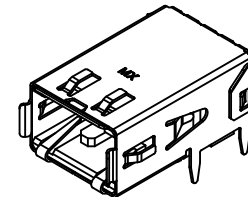


NOTES:

1. MATERIALS: HOUSING - LIQUID CRYSTAL POLYMER, UL94 V-0, NATURAL  
 TERMINAL - COPPER NICKEL SILICON ALLOY  
 SHIELD - BRASS ALLOY
2. FINISHES:  
 TERMINAL: 1.27 MICROMETERS MINIMUM SELECT GOLD AND  
 3.81 MICROMETERS MINIMUM SELECT TIN OVER  
 NICKEL UNDERPLATE OVERALL.  
 SHELL: 3.00 MICROMETERS MINIMUM TIN OVER  
 NICKEL UNDERPLATE OVERALL.
3. PACKAGE TAPE AND REEL PER PK-74703-001 AND  
 PACKAGE TRAYS PER PK-74703-002.
4. PART CONFORMS TO SPECIFICATION PS-74703-001.
5. DROP-IN AND PRESS FIT ASSEMBLIES REQUIRED TO  
 BE SOLDERED TO BOARD.

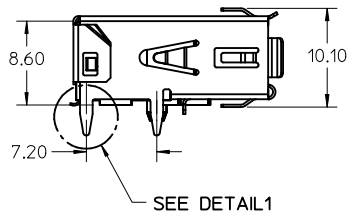


INFINIBAND KEYING  
WITH DROP-IN SHIELD

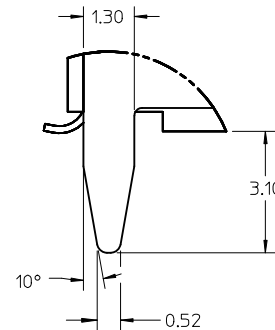
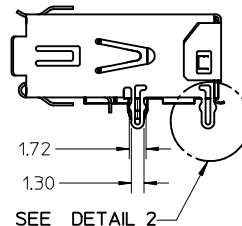
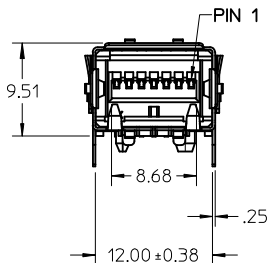


FIBRE CHANNEL KEYING  
WITH DROP-IN SHIELD

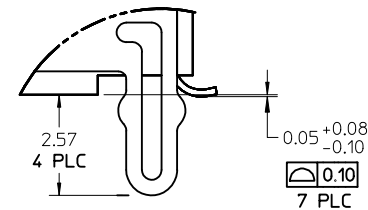
DROP-IN SHIELD



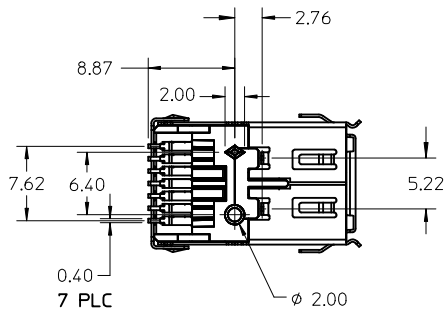
PRESS-FIT SHIELD



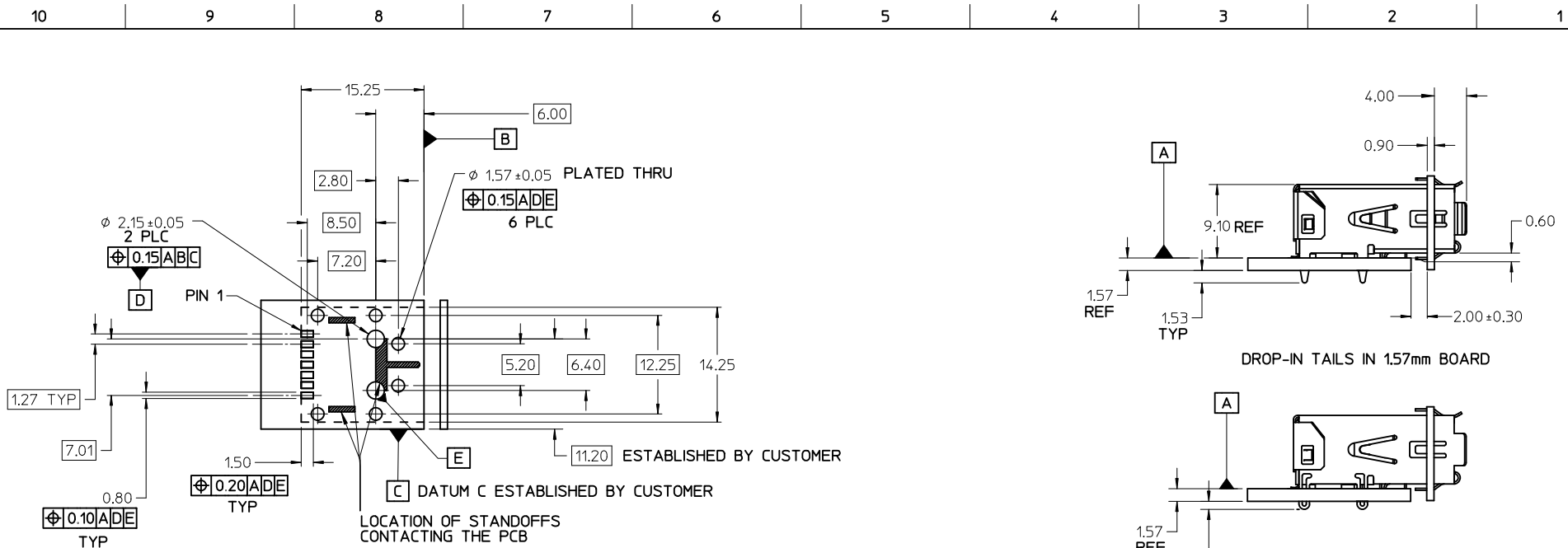
DETAIL1  
SCALE 8:1



DETAIL 2  
SCALE 8:1

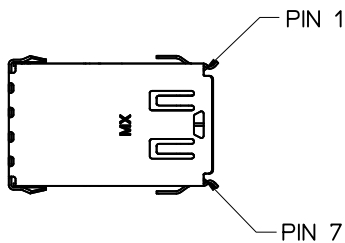


REVISE DRAWING EC NO: UCP2012-3535 DRAWN: MORGAN 2012/04/26 CHKD: BBARKER 2012/04/26 APPR: SMILLER 2012/06/08	QUALITY SYMBOLS ▽/0 ▽/0 ▽/0	GENERAL TOLERANCES (UNLESS SPECIFIED) mm INCH 4 PLACES ± --- ± --- 3 PLACES ± --- ± --- 2 PLACES ± 0.13 ± --- 1 PLACE ± 0.25 ± --- 0 PLACE ± ±	DIMENSION STYLE MM ONLY DRAWN BY DATE KSTILES 10/06/2000 CHECKED BY DATE RSFOX 10/09/2000 APPROVED BY DATE DBRINKMA 10/12/2000	SCALE 2:1 TITLE SALES DRAWING HSSDC2 RECEPTACLE ASSEMBLY	DESIGN UNITS METRIC THIRD ANGLE PROJECTION	MATERIAL NO. SEE TABLE	DOCUMENT NO. SD-74703-001	SHEET NO. 1 OF 3		
	ANGULAR ± 3° DRAFT WHERE APPLICABLE MUST REMAIN WITHIN DIMENSIONS		THIS DRAWING CONTAINS INFORMATION THAT IS PROPRIETARY TO MOLEX INCORPORATED AND SHOULD NOT BE USED WITHOUT WRITTEN PERMISSION							
	REV DESCRIPTION									

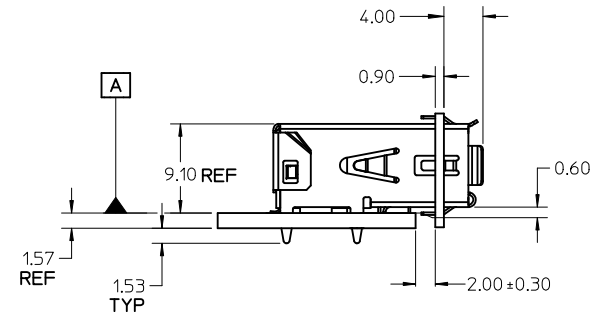


RECOMMENDED PCB LAYOUT  
COMPONENT SIDE SHOWN

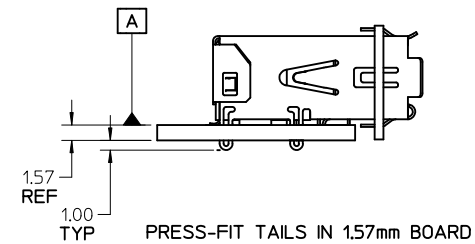
THE ENTIRE AREA OF THE CONNECTOR FOOTPRINT TO  
BE CONSIDERED THE KEEP OUT AREA (FOR COMPONENTS).  
THIS AREA IS INDICATED BY THE DASHED LINE.



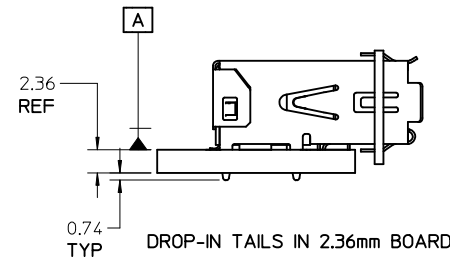
PIN NO.	INFINIBAND	FIBRE CHANNEL
1	G	G
2	R+	R-
3	R-	R+
4	G	G
5	T-	T+
6	T+	T-
7	G	G



DROP-IN TAILS IN 1.57mm BOARD



PRESS-FIT TAILS IN 1.57mm BOARD

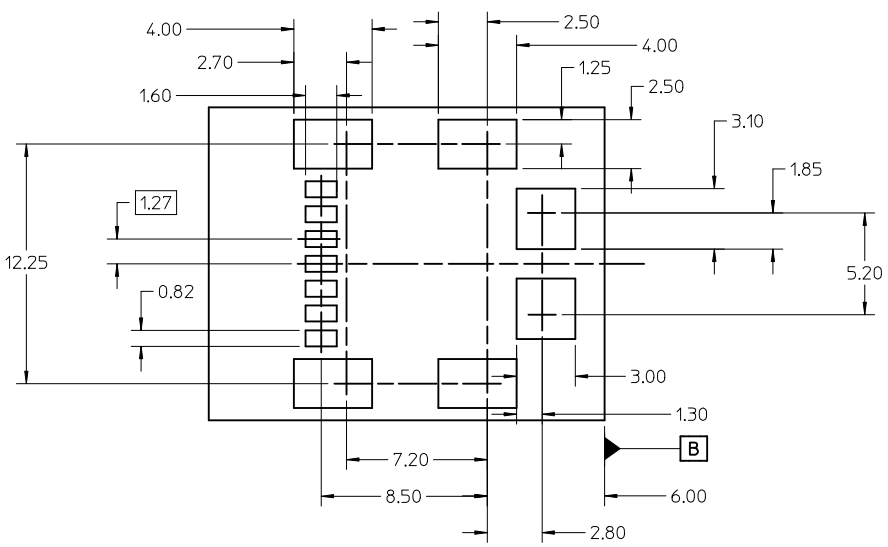


DROP-IN TAILS IN 2.36mm BOARD

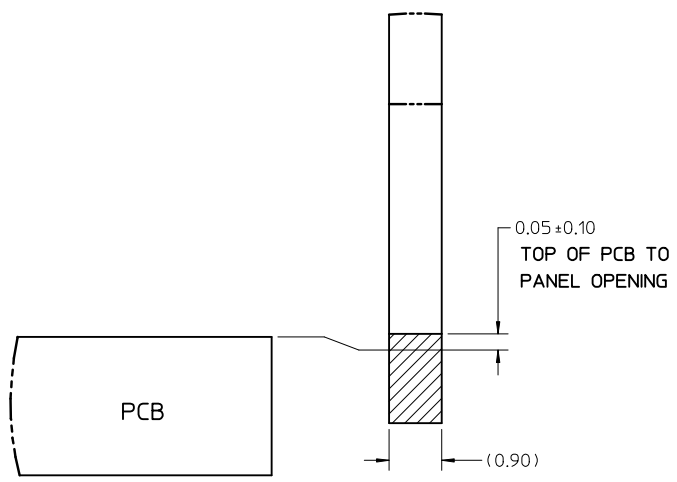
SEE SHEET 1 EC NO: UCP2012-3535 DRWN:DMORGAN 2012/04/26 CHKD:BBARKER 2012/04/26 APPR:SMILLER 2012/06/08	QUALITY SYMBOLS	GENERAL TOLERANCES (UNLESS SPECIFIED)	DIMENSION STYLE	SCALE	DESIGN UNITS	THIRD ANGLE PROJECTION
	▽/0	mm INCH	MM ONLY	2:1	METRIC	
	▽/0	4 PLACES ± --- ± ---	DRAWN BY DATE	TITLE	SALES DRAWING HSSDC2 RECEPTACLE ASSEMBLY	
	▽/0	3 PLACES ± --- ± ---	KSTILES 10/06/2000			
	2 PLACES ± 0.13 ± ---	CHECKED BY DATE	RSFOX 10/09/2000	DOCUMENT NO.	SD-74703-001	SHEET NO.
	1 PLACE ± 0.25 ± ---	APPROVED BY DATE	DBRINKMA 10/12/2000			2 OF 3
	0 PLACE ± ±	MATERIAL NO.	SEE TABLE			
		ANGULAR ± 3 °	SIZE B	THIS DRAWING CONTAINS INFORMATION THAT IS PROPRIETARY TO MOLEX INCORPORATED AND SHOULD NOT BE USED WITHOUT WRITTEN PERMISSION		
		DRAFT WHERE APPLICABLE MUST REMAIN WITHIN DIMENSIONS				

10 9 8 7 6 5 4 3 2 1

F  
E  
D  
C  
B  
A

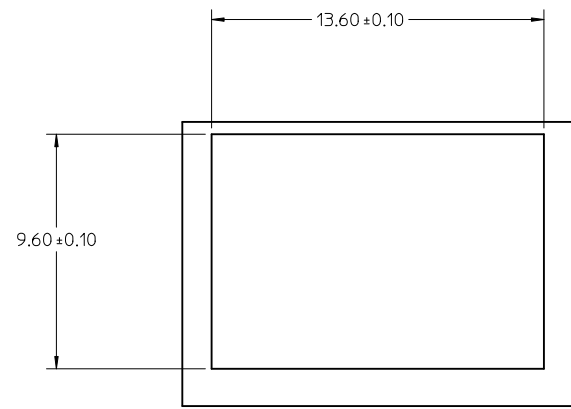


RECOMMENDED SMT STENCIL LAYOUT



PARTIAL1 SCALE 12:1

CKT. SIZE	MATERIAL NUMBER		KEYING OPTION	SHIELD OPTION
	TAPE/REEL	TRAY		
7	74703-0007	74703-0017	INFINIBAND	DROP-IN
7	74703-0107	74703-0117	FIBRE CHANNEL	DROP-IN
7	74703-0307	74703-0317	INFINIBAND	PRESS-FIT
7	74703-0407	74703-0417	FIBRE CHANNEL	PRESS-FIT



RECOMMENDED PANEL OPENING

SEE SHEET 1 EC NO: UCP2012-3535 DRWN:DMORGAN 2012/04/26 CHKD:BBARKER 2012/04/26 APPR:SMILLER 2012/06/08	QUALITY SYMBOLS	GENERAL TOLERANCES (UNLESS SPECIFIED)		DIMENSION STYLE		SCALE	DESIGN UNITS	THIRD ANGLE PROJECTION	
	▽=0	mm	INCH	MM ONLY		2:1	METRIC	SALES DRAWING HSSDC2 RECEPTACLE ASSEMBLY <b>molex</b>	
	▽=0	4 PLACES ± ---	± ---	DRAWN BY	DATE				
	▽=0	3 PLACES ± ---	± ---	KSTILES	10/06/2000				
▽=0	2 PLACES ± 0.13	± ---	CHECKED BY	DATE					
		1 PLACE ± 0.25	± ---	RSFOX	10/09/2000				
		0 PLACE ±	±	APPROVED BY	DATE				
				DBRINKMA	10/12/2000				
		ANGULAR ± 3°		MATERIAL NO.		DOCUMENT NO.			
		DRAFT WHERE APPLICABLE MUST REMAIN WITHIN DIMENSIONS		SEE TABLE					
		SIZE B	THIS DRAWING CONTAINS INFORMATION THAT IS PROPRIETARY TO MOLEX INCORPORATED AND SHOULD NOT BE USED WITHOUT WRITTEN PERMISSION						