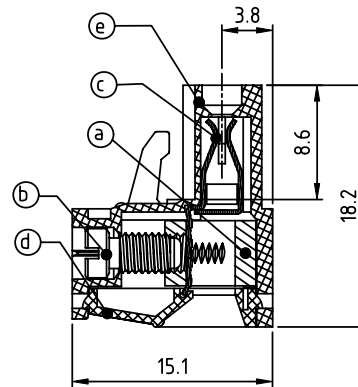
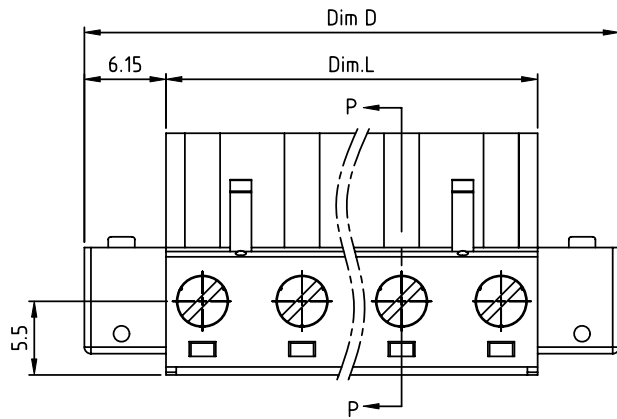
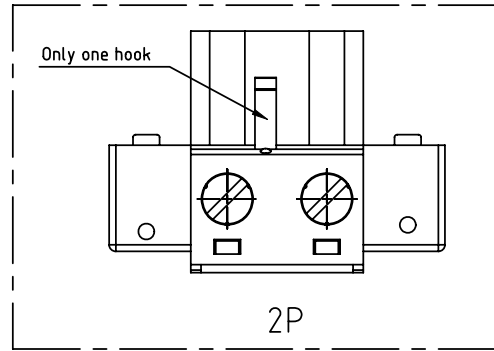
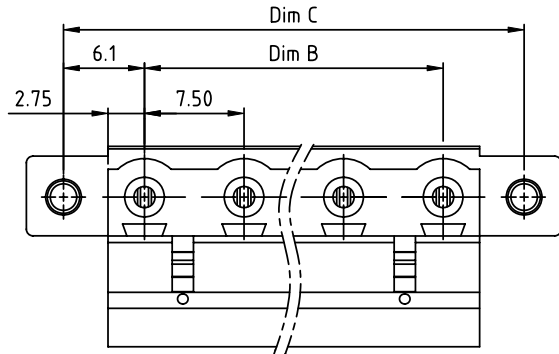


PRODUCT NUMBER	PITCH
TJxxA1x200J0G	7.50 mm



Material

- Item ① Clamp: Brass(CuZn) Ni plated
- Item ② Terminal screw: Steel Zinc plating "-" slot type
- Item ③ Female contact: High conductivity copper, Tin plated
- Item ④ Terminal Cover: Thermoplastic (UL94V-0)
- Item ⑤ Terminal housing: Thermoplastic (UL94V-0)
- Item ⑥ With flange screw: steel M2.5 Zinc plated "+/-" slot type

Electrical cULus

- Voltage rating: 300VAC
- Current rating: 20A
- Wire range:
- Solid wire(AWG): 12-24
- Stranded wire(AWG): 12-24
- Torque: 5Lb-In
- Screw: M3
- Wire strip length: 7-8mm
- Withstanding Voltage: 1.6KV
- Operating temperature: -40°C to +115°C
- Safety Approval:

DIMENSION

Dim L = (N-1) x 7.5+5.5  
 Dim B = (N-1) x 7.5  
 Dim C = N x 7.5+4.7  
 Dim D = (N+1) x 7.5+2.8  
 N= number of poles

Poles	Tolerance
2p-5p	±0.15
6p-12p	±0.25
13p-16p	±0.35

TJ xx A1x 2 00J0 G

No. of poles	Color	RoHS compliant (lead<4%) In copper Alloy
02 2 poles	0 Black (RAL9005)	
03 3 poles	2 Red (RAL3001/D)	
...	3 Orange(RAL2011/P)	
16 16 poles	4 Yellow(RAL1018/A)	
	5 Green(RAL6018/T)	
	6 Blue (RAL5015/A)	
	8 Grey(RAL7035/D)	
	9 White(RAL1102)	
	C Green(RAL6018/U)	

mat'l. code		surface ASME Y14.5	tolerance ASME Y14.5	projection	product family TERMINAL BLOCK
ltr	ecn no	dr	date		title
				MM	TERMINAL BLOCK
				scale	PLUGGABLE, PLUG, WITH FLANGE
					dwg no
					sheet 1 of 1
					size
					A4
				type	CUSTOMER Drawing
sheet index	revision	A			
	sheet	1			