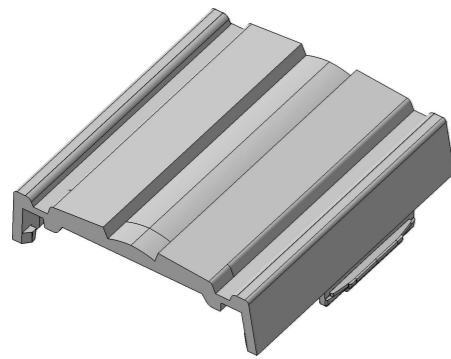
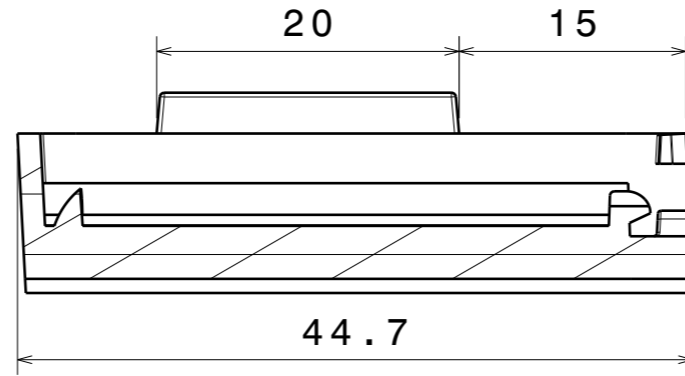


H G F E D C B A

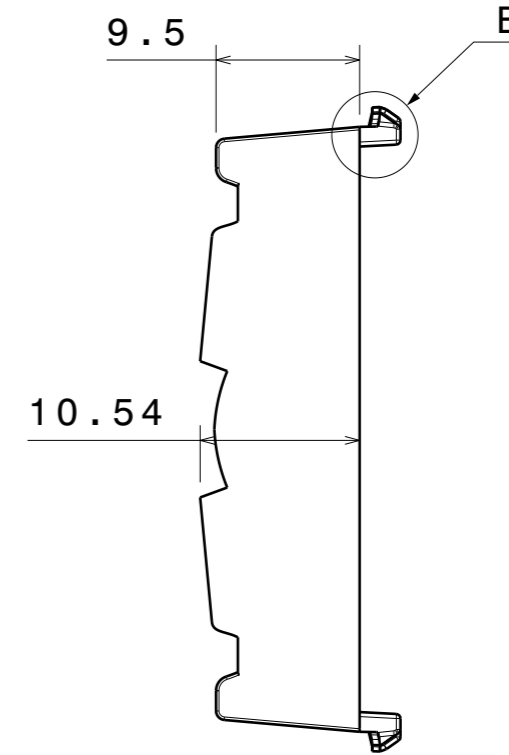
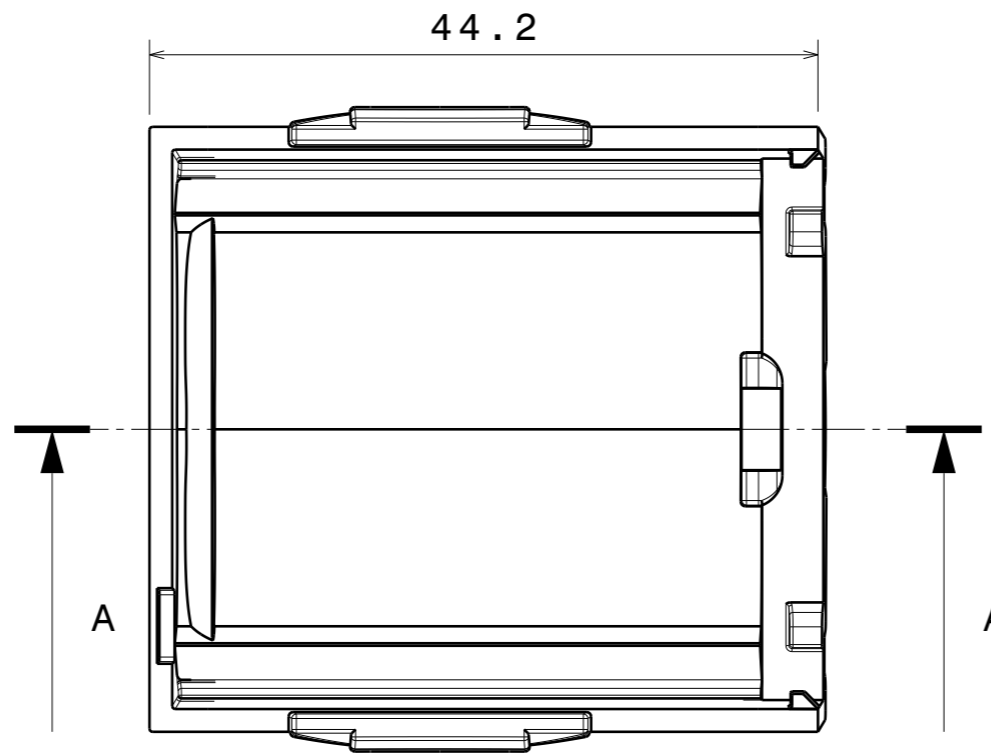
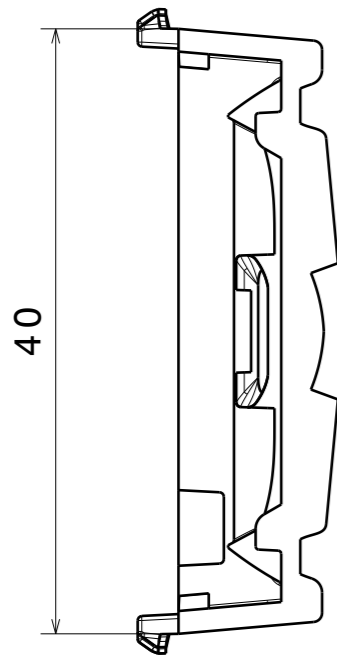
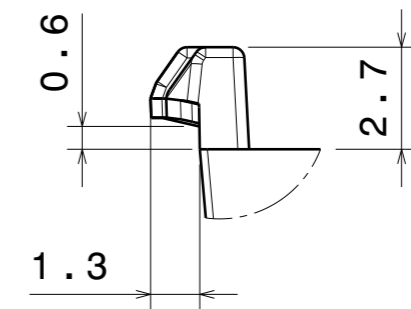


Isometric view
Scale: 1:1

Section view A-A
Scale: 2:1



Detail B
Scale: 5:1



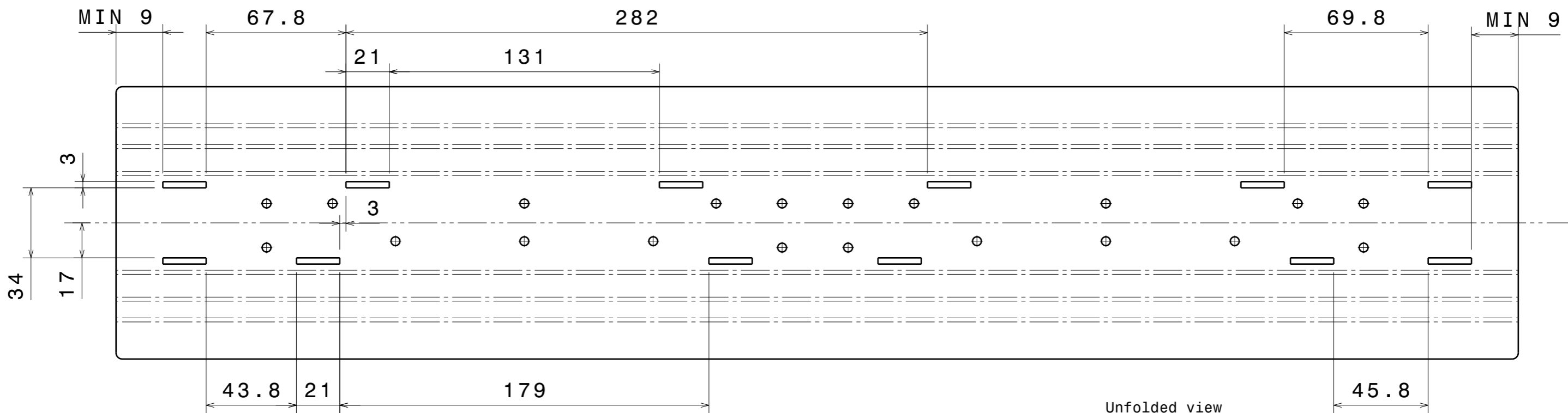
PART	TYPE	MATERIAL	COLOR / COATING
F16316		PC	clear

MECHANICAL DRAWING		LEDiL [®]
PRODUCT F16316_LINNEA-0-END-B-ML		
Plastic moulding general tolerances according to DIN 16901-130 and applies if not otherwise shown in the drawing. Silicone moulding general tolerances according to ISO 3302-1 Class M3 and applies if not otherwise shown in the drawing.	FIRST ANGLE PROJECTION: 	This drawing is the property of LEDiL Oy. It may not be copied or otherwise distributed without prior written permission from LEDiL Oy.
SCALE 2:1	WEIGHT 7,3 g	A3 SHEET 1/2

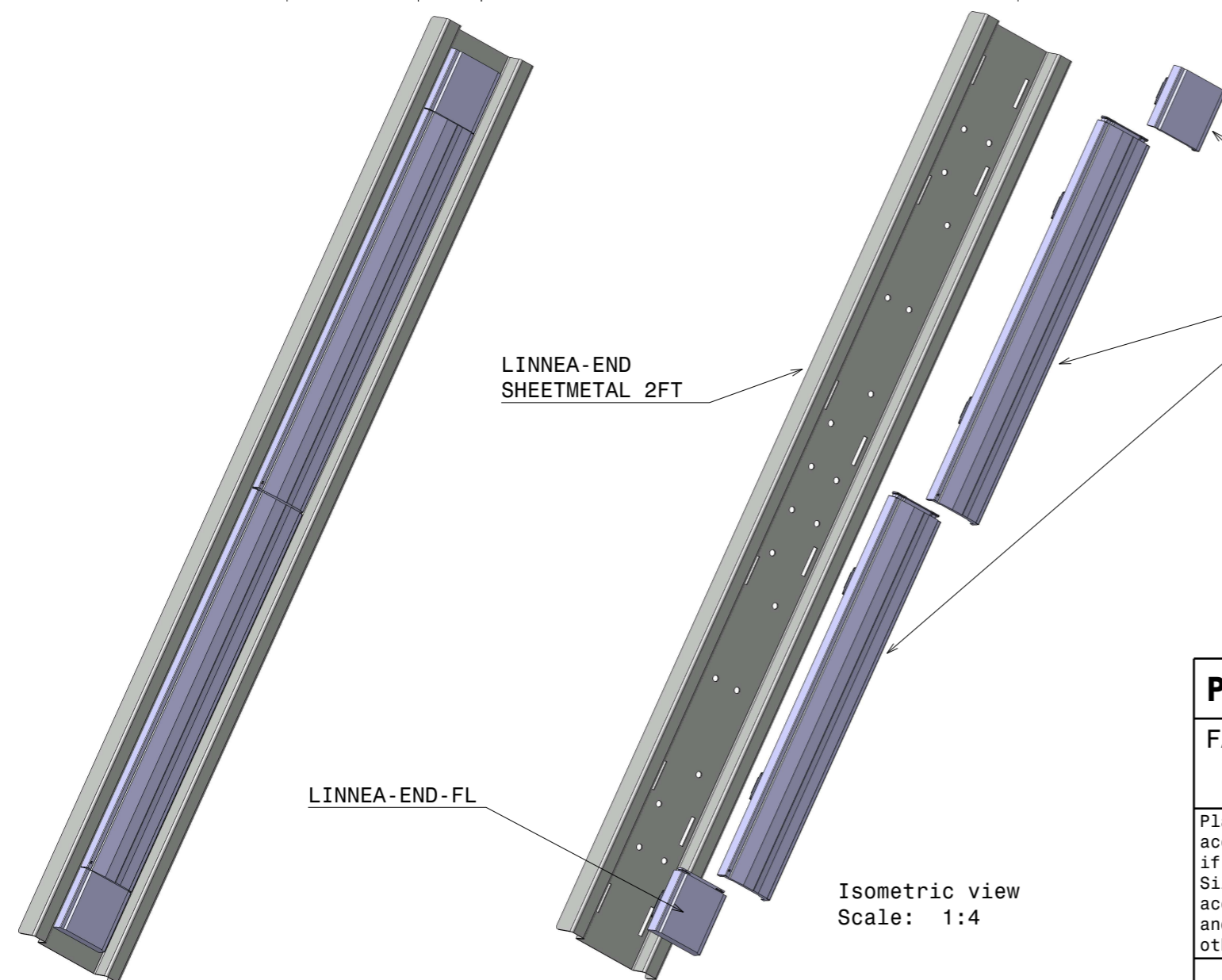
Notes

- PCB or heatsink level.
- LED location
- Ensure LED fitting from a product specific 3D model available from www.ledil.com
- For more details about installation please see LEDiL Installation Guide on www.ledil.com

@ A B A



Unfolded view
Scale: 1:2



Isometric view
Scale: 1:4

LINNEA-END-ML

LINNEA

LINNEA-END-SHEETMETAL 2FT

LINNEA-END-FL

Product1_
COMPONENTS

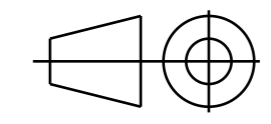
INDEX	PART	TYPE	MATERIAL	COLOR / COATING
1	LINNEA-END-SHEETMETAL_			
2	LINNEA		PC	clear
3	LINNEA		PC	clear
4	LINNEA-END-FL		PC	clear
5	LINNEA-END-ML		PC	clear

PRODUCTION DRAWING

FAMILY
LINNEA

Plastic moulding general tolerances according to DIN 16901-130 and applies if not otherwise shown in the drawing. Silicone moulding general tolerances according to ISO 3302-1:2014(E)-M2 and applies if not otherwise shown in the drawing.

FIRST ANGLE PROJECTION:



SCALE 1:2

WEIGHT -

LEDiL®

This drawing is the property of LEDiL Oy. It may not be copied or otherwise distributed without prior written permission from LEDiL Oy.

A3 SHEET 2/2