

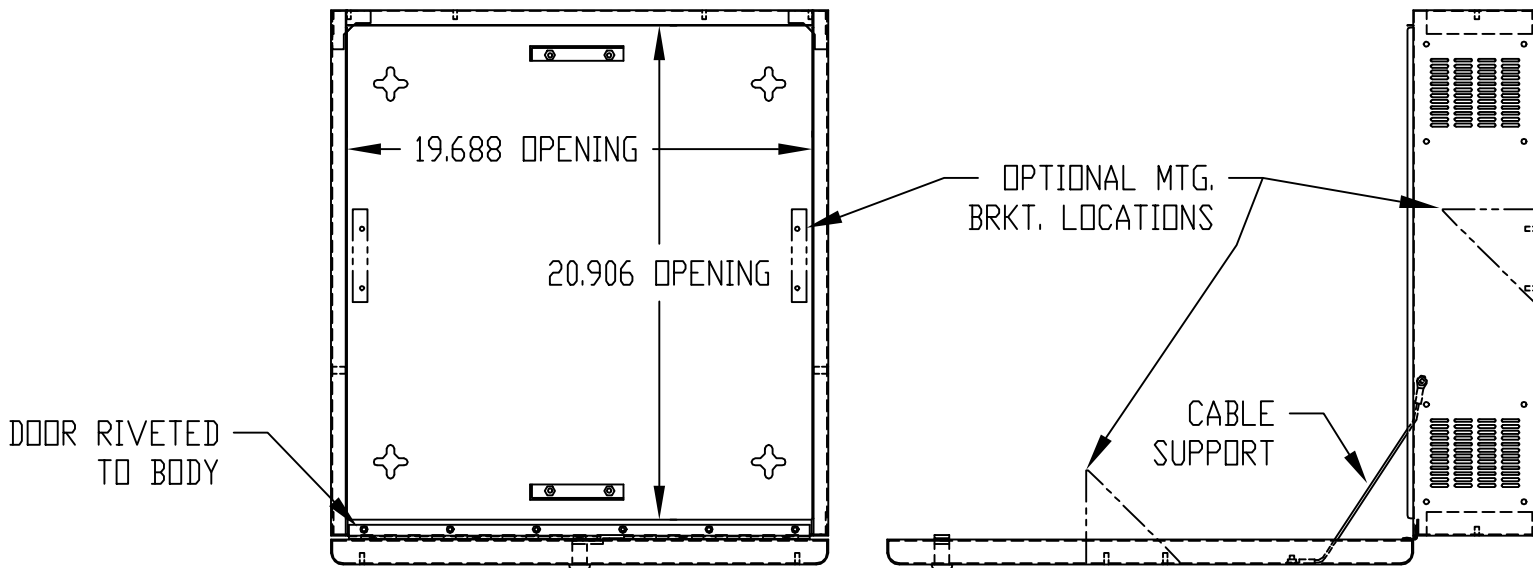
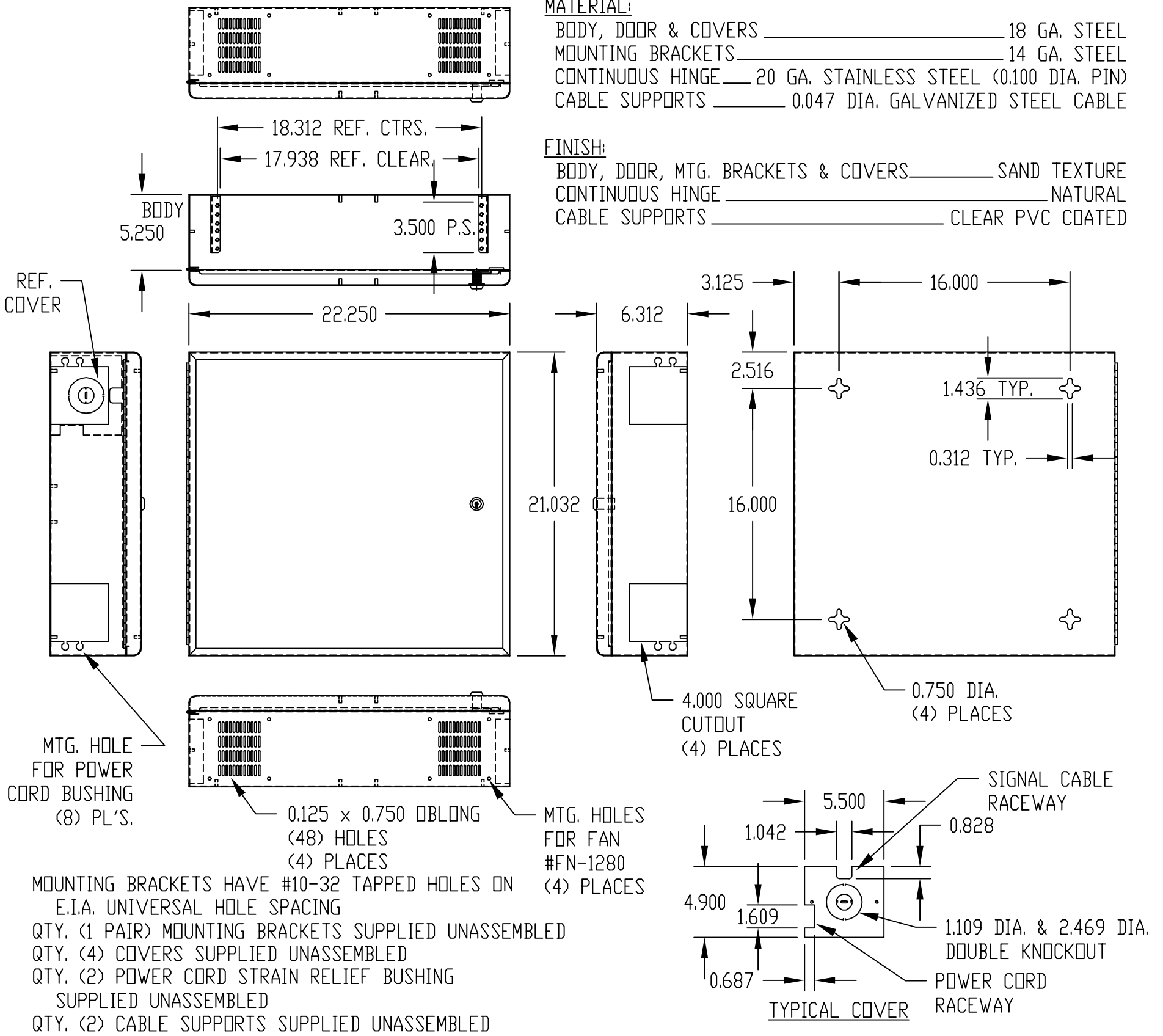
PART NAME	UNIVERSAL NETWORKING CABINET	PART No.	UN-8080	REV. DATE	12-7-05
-----------	------------------------------	----------	---------	-----------	---------

**MATERIAL:**

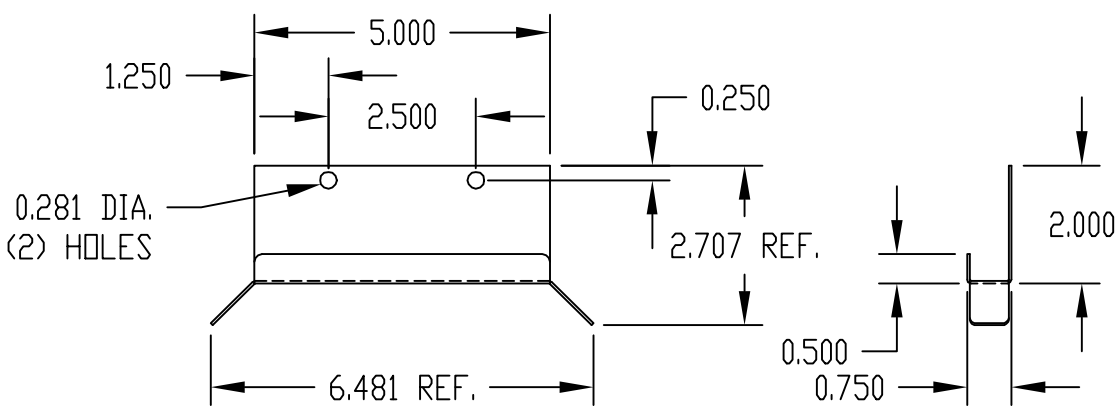
BODY, DOOR & COVERS \_\_\_\_\_ 18 GA. STEEL  
 MOUNTING BRACKETS \_\_\_\_\_ 14 GA. STEEL  
 CONTINUOUS HINGE \_\_\_\_\_ 20 GA. STAINLESS STEEL (0.100 DIA. PIN)  
 CABLE SUPPORTS \_\_\_\_\_ 0.047 DIA. GALVANIZED STEEL CABLE

**FINISH:**

BODY, DOOR, MTG. BRACKETS & COVERS \_\_\_\_\_ SAND TEXTURE  
 CONTINUOUS HINGE \_\_\_\_\_ NATURAL  
 CABLE SUPPORTS \_\_\_\_\_ CLEAR PVC COATED



PART NAME	CABLE REEL	PART No.	UN-8086	PART No.	
-----------	------------	----------	---------	----------	--



SUPPLIED IN PAIRS WITH QTY. (4)  
 #10-32 KEPS NUTS FOR MOUNTING

MATERIAL: 18 GA. STEEL  
 FINISH: SAND TEXTURE