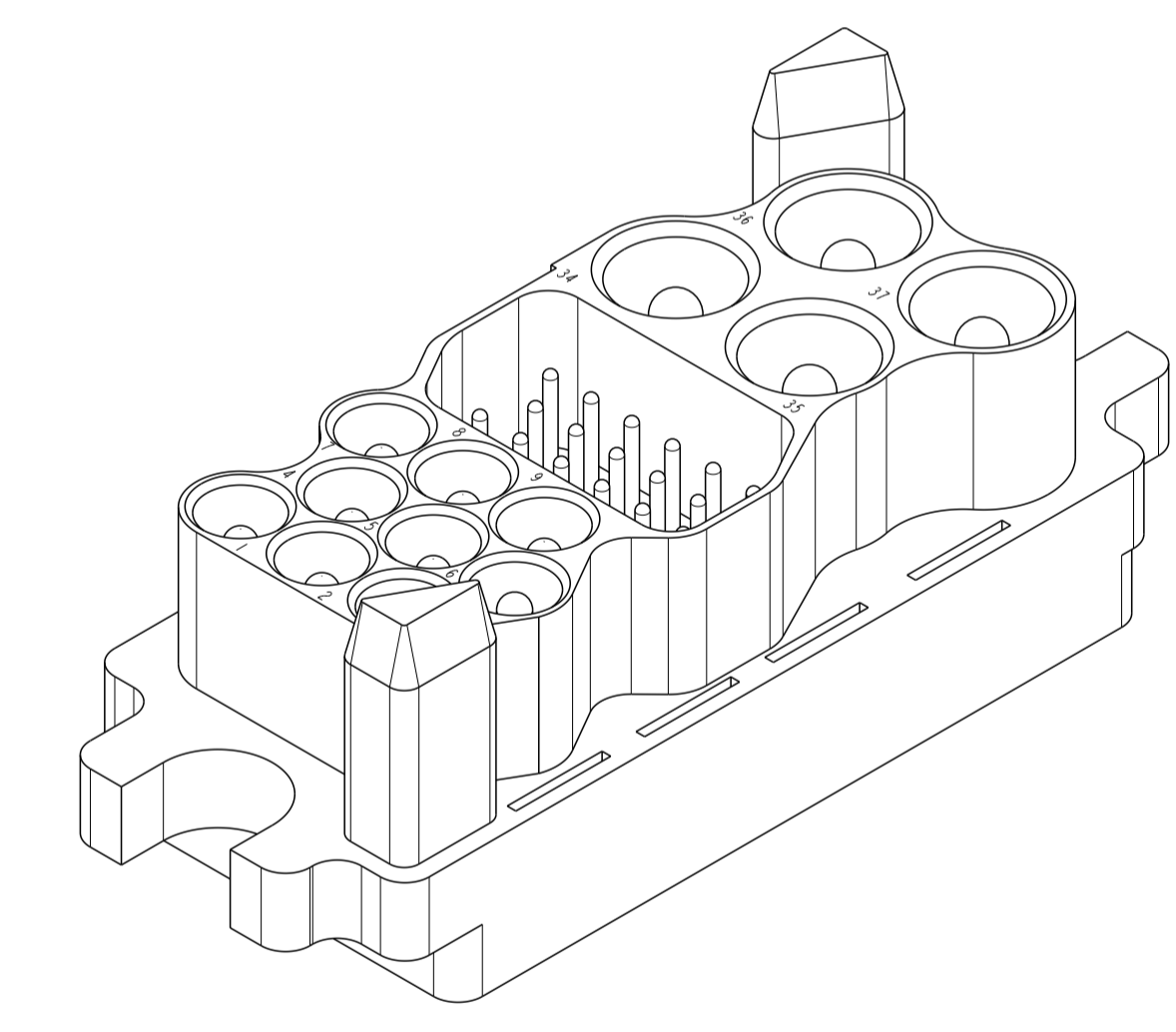
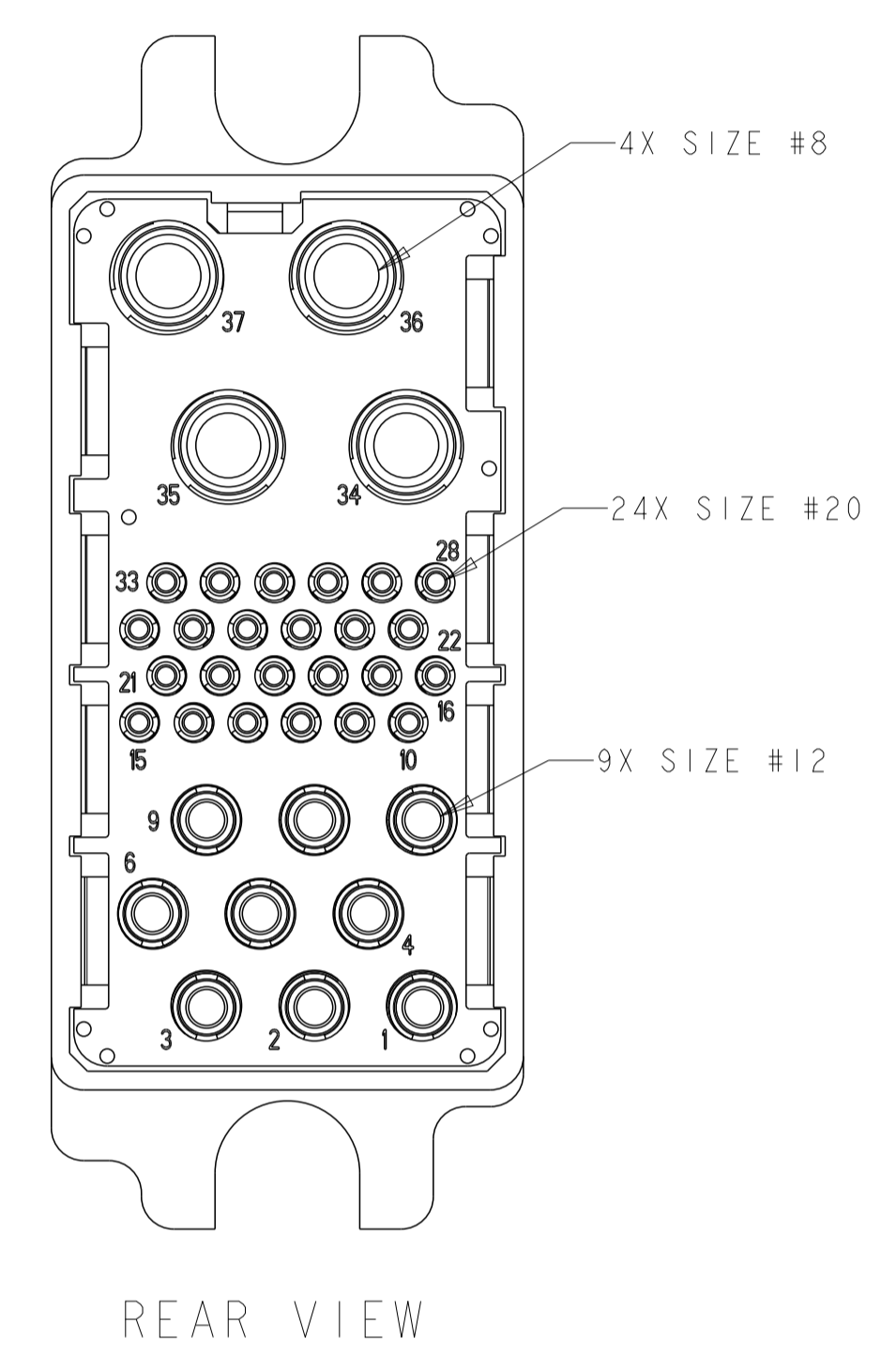
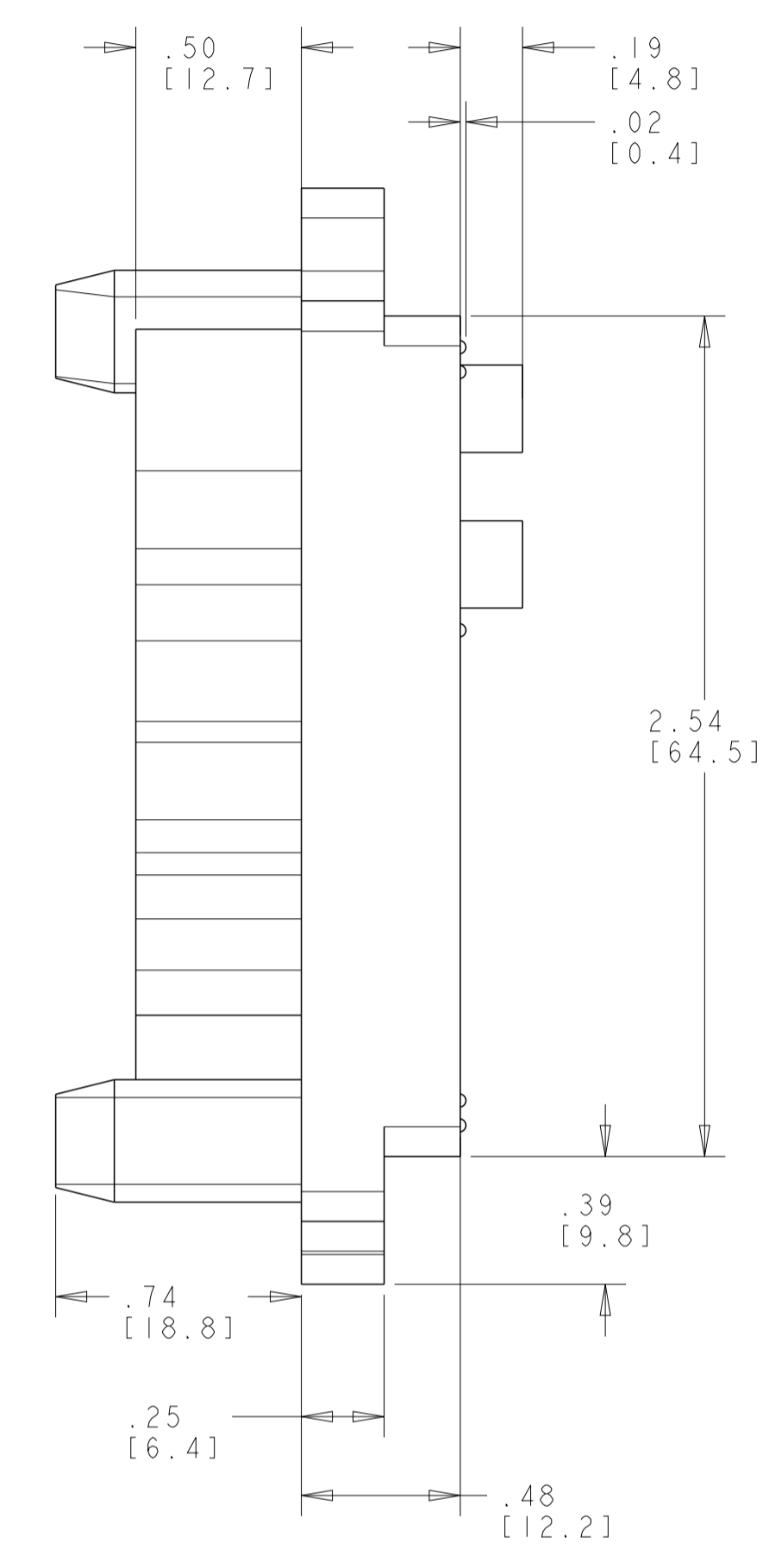
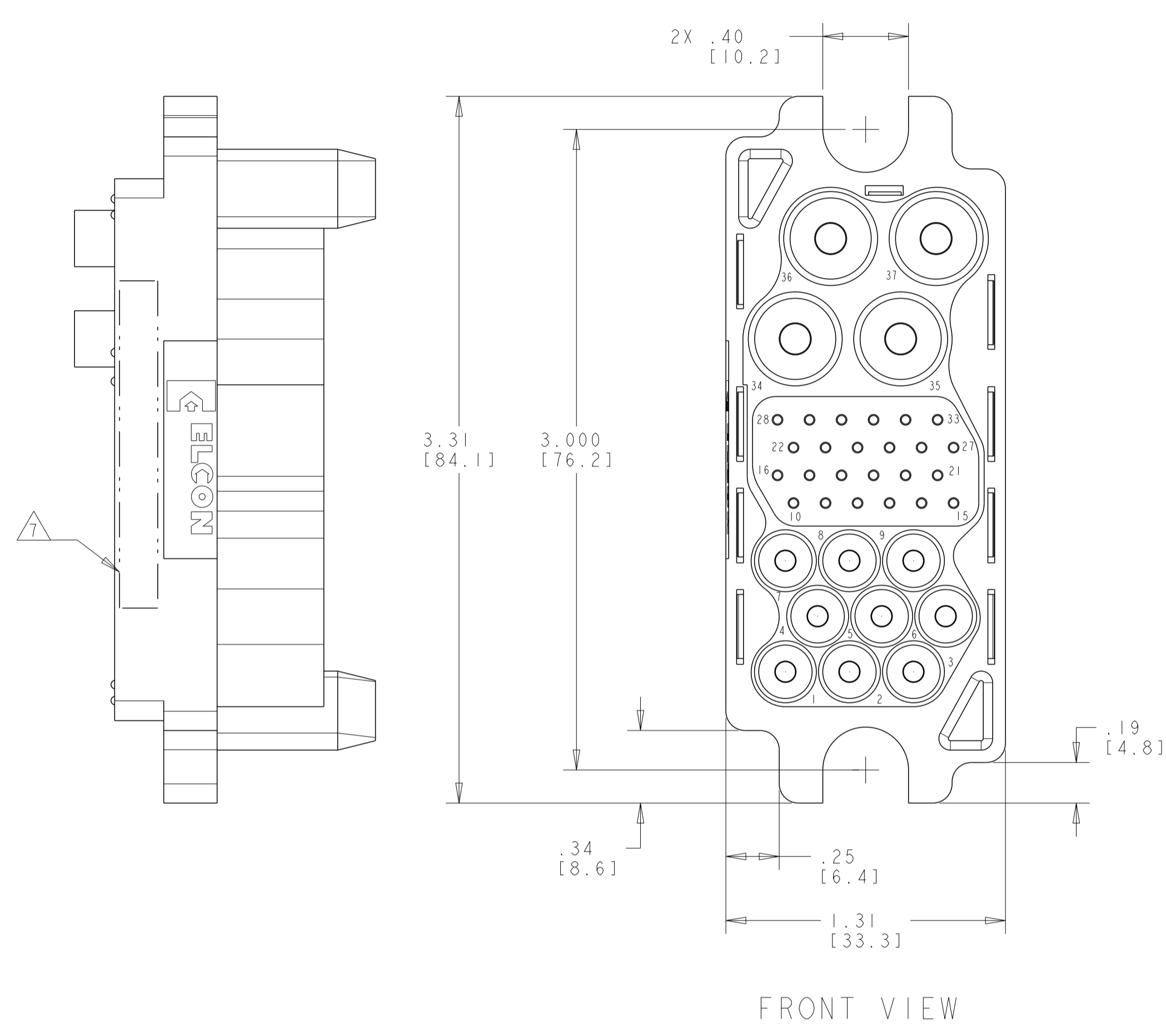


REVISIONS				
P	LTN	DESCRIPTION	DATE	APPV
A		RELEASED	17FEB2015	LAW EW

- THIS CONNECTOR ASSEMBLY SHALL BE PACKAGED AS A KIT
- PART NUMBER CHANGES AND/OR DESIGN CHANGES AFFECTING ITEM INTERCHANGEABILITY REQUIRE PRIOR TE CONNECTIVITY APPROVAL AND AUTHORIZATION BY REVISION TO THIS DRAWING
- MATERIALS:
 HOUSING: THERMOPLASTIC, GLASS REINFORCED, UL94V-0
 FLAMMABILITY RATED, COLOR: BLACK
 PIN CONTACTS: COPPER ALLOY
 RETENTION CLIPS: BERYLLIUM COPPER OR STAINLESS STEEL
- FINISH: CONTACT-- .000200 MIN SILVER PLATE OVER .000050 MIN NICKEL
- MOUNTING HARDWARE: SHOULDER SCREW
 TE PART NUMBER 1650402-1 TO BE ORDERED SEPERATELY. SHOWN FOR REFERENCE ONLY
- REFERENCE DIMENSIONS (X.XXX) WITHOUT TOLERANCE
- PART NUMBER AND DATE CODE TO BE LABELED IN THE APPROXIMATE AREA SHOWN

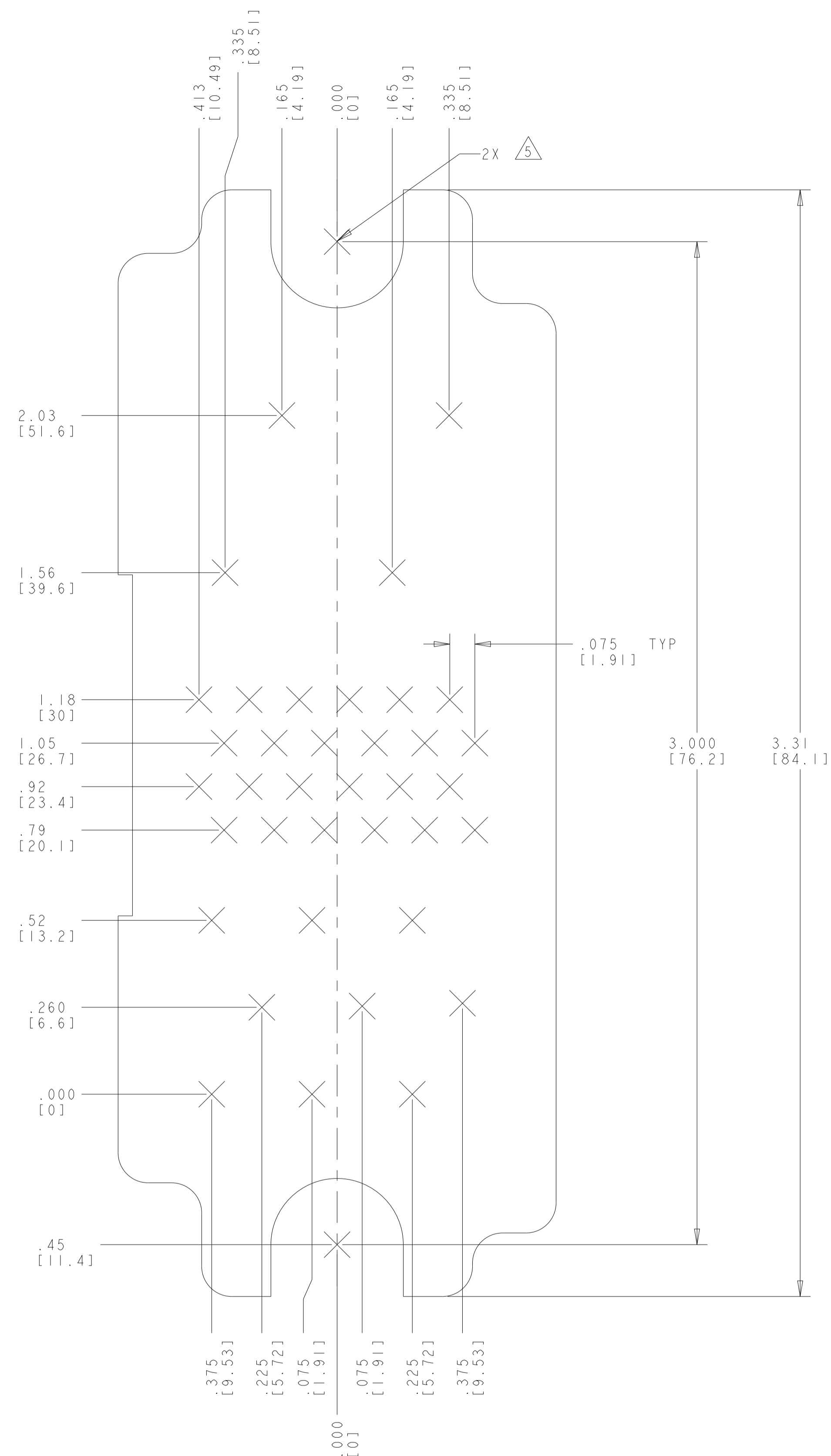


QTY	PART NUMBER	DESCRIPTION
2	1650402-1	SCREW, SHOULDER, #8-32 THD
1	1650156-2	CONTACT, PIN, #12, CRIMP, PREMATE, HP, GOLD PLATED
8	1766193-1	CONTACT, PIN, #12, CRIMP, STD, SILVER PLATED
24	1650155-1	CONTACT, PIN, #20, CRIMP, STD, GOLD PLATED
4	1766192-1	CONTACT, PIN, #8, CRIMP, STD, SILVER PLATED
1	1648163-2	CONNECTOR, PIN, PCB MOUNT

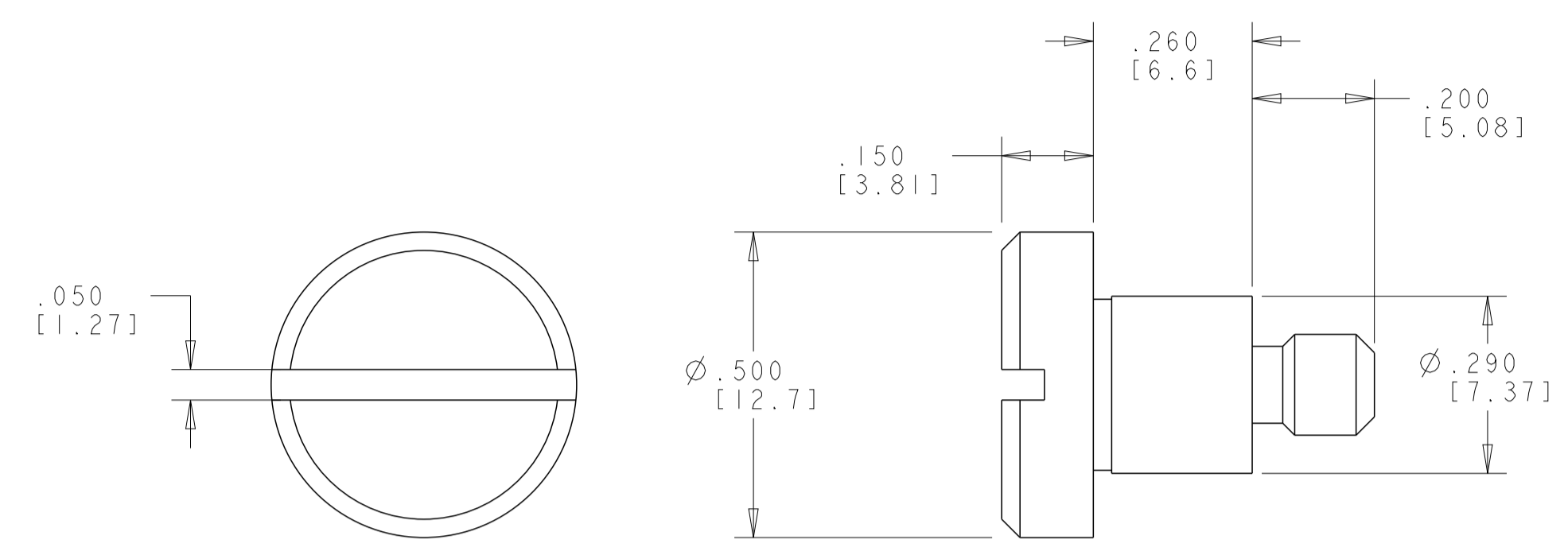
THIS DRAWING IS A CONTROLLED DOCUMENT.

DIMENSIONS: INCHES(mm)	TOLERANCES UNLESS OTHERWISE SPECIFIED: 0 PLC ± 1 PLC ±.02 (0.5) 3 PLC ±.010 (0.25) 4 PLC ± ANGLES ±° FINISH	OWN: L.A. WENSEL 17FEB2015 CHK: E. WICKES 17FEB2015 APPV: D. ORRIS 17FEB2015	NAME: STE TE Connectivity CONNECTOR ASSEMBLY, PIN, 75 AMP, MIDDLE DRAWER
MATERIAL	FINISH	WEIGHT	SIZE: A1 CAGE CODE: 6643384 DRAWING NO: 6643384
CUSTOMER DRAWING		SCALE: 6:1	SHEET 1 OF 2 REV A

REVISIONS				
P.	LTN.	DESCRIPTION	DATE	APVD.
-	-	SEE SHEET 1	-	-



RECOMMENDED CONTACT LAYOUT
 AS VIEWED FROM CONNECTOR MOUNTING SIDE
 (FRONT VIEW)
 SCALE 4:1



SHOULDER SCREW
 PART NUMBER 1650402-1
 SCALE 4:1

THIS DRAWING IS A CONTROLLED DOCUMENT.		DWN L.A.WENSEL 17FEB2015	TE Connectivity
DIMENSIONS: INCHES(mm)		CHK E.WICKES 17FEB2015	
TOLERANCES UNLESS OTHERWISE SPECIFIED: 0 PLC ±. 1 PLC ±. 2 PLC ±.02 (0.5) 3 PLC ±.010 (0.25) 4 PLC ±. ANGLES ±5° FINISH		APVD D.ORBIS 17FEB2015 PRODUCT SPEC APPLICATION SPEC	NAME CONNECTOR ASSEMBLY, PIN, 75 AMP, MIDDLE DRAWER SIZE A1 CAGE CODE DRAWING NO. C=6643384 RESTRICTED TO
MATERIAL		WEIGHT	CUSTOMER DRAWING SCALE 6:1 SHEET 2 OF 2 REV A