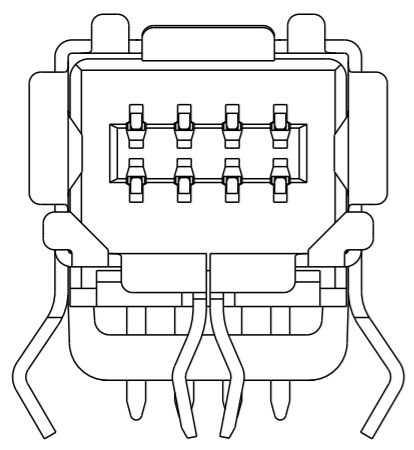
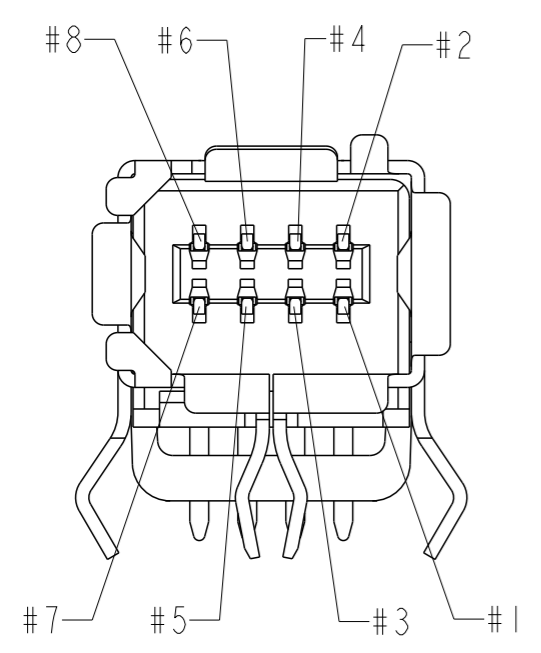


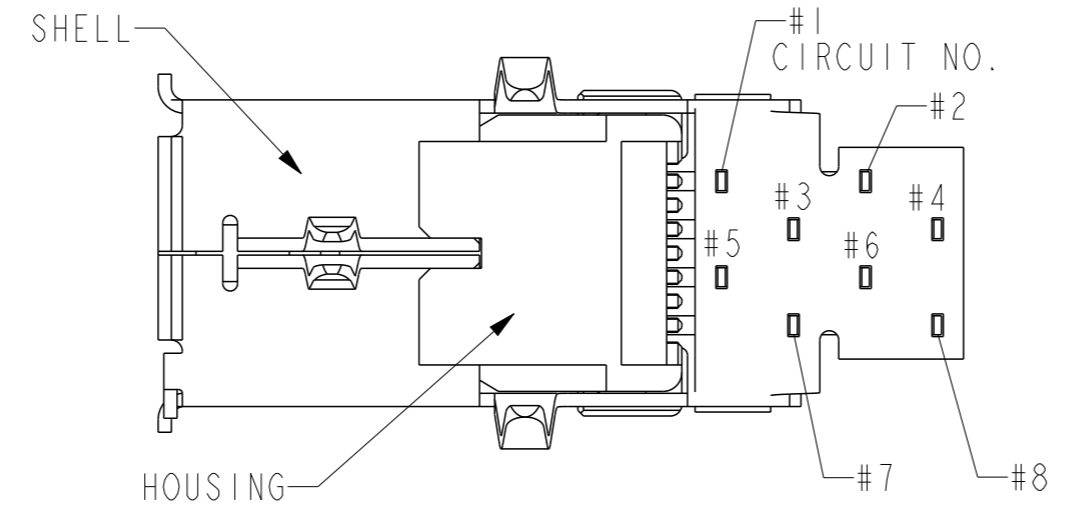
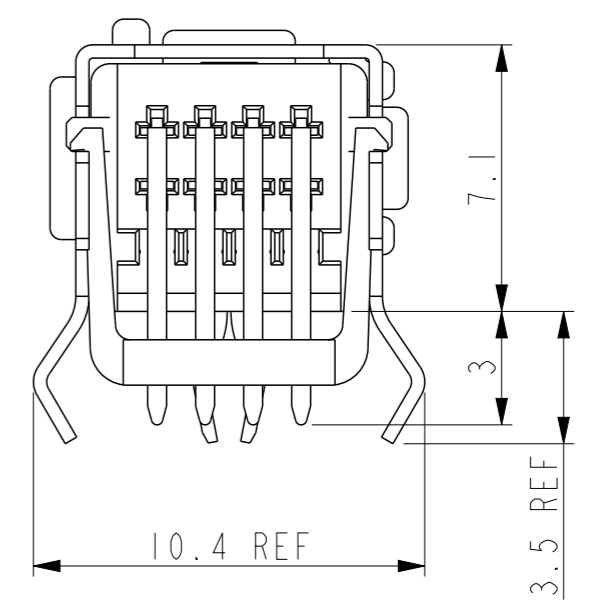
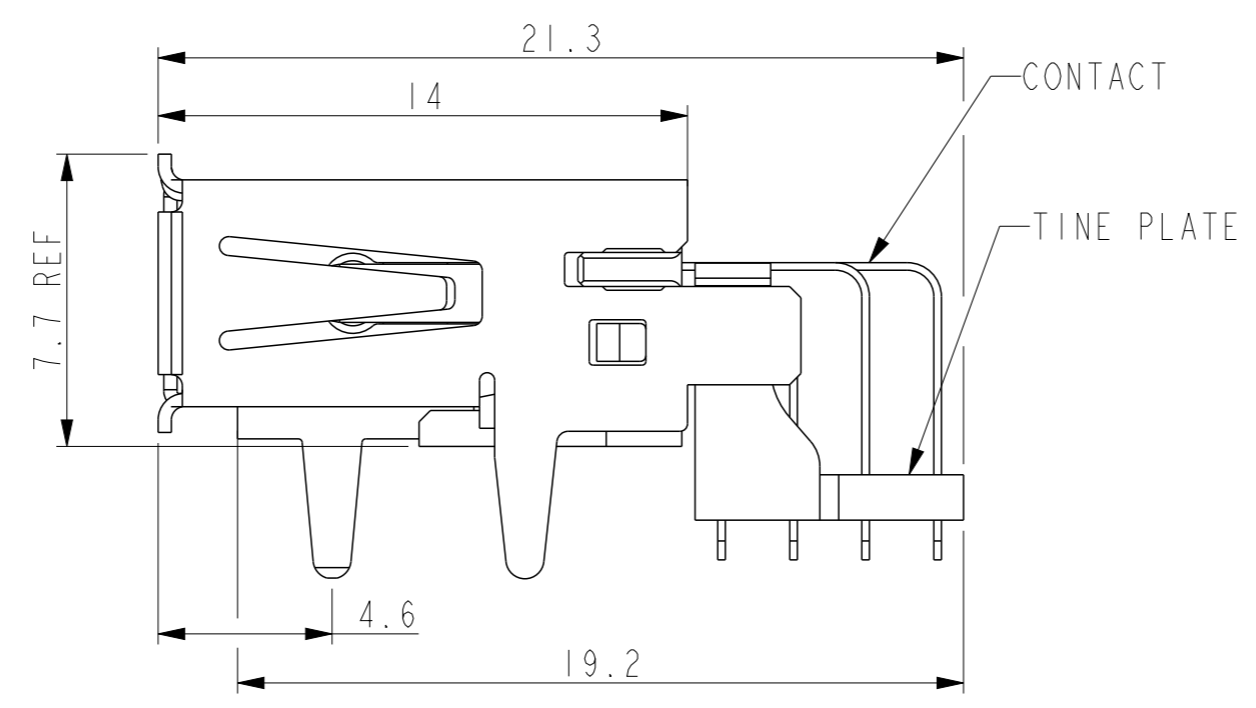
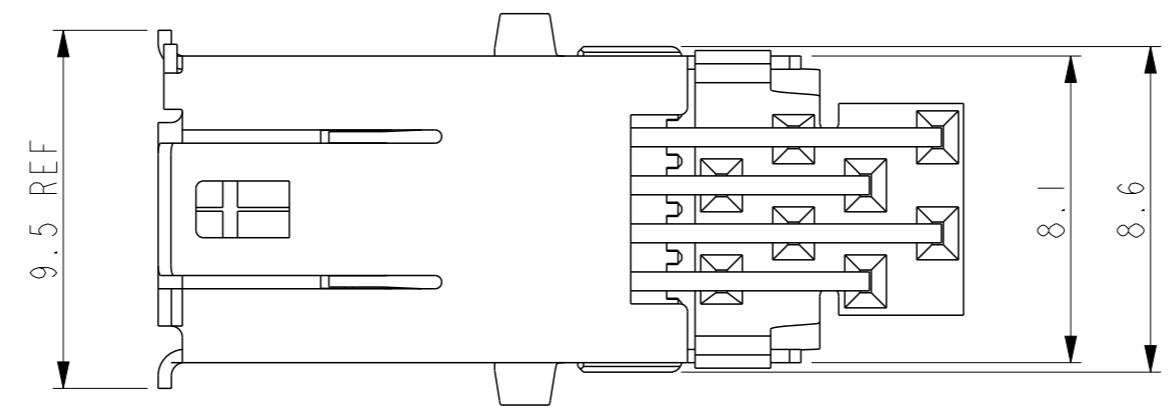
PART NUMBER	DESCRIPTION	POS
10137850-0010LF	D-SHAPE TYPE I PIP	8
10137850-0020LF	D-SHAPE TYPE II PIP	8



10137850-0020LF



CIRCUIT NO.
10137850-0010LF



PRODUCT NUMBERING:
10137850 - 0 0 X 0 LF
LEAD FREE
1: TYPE I
2: TYPE II

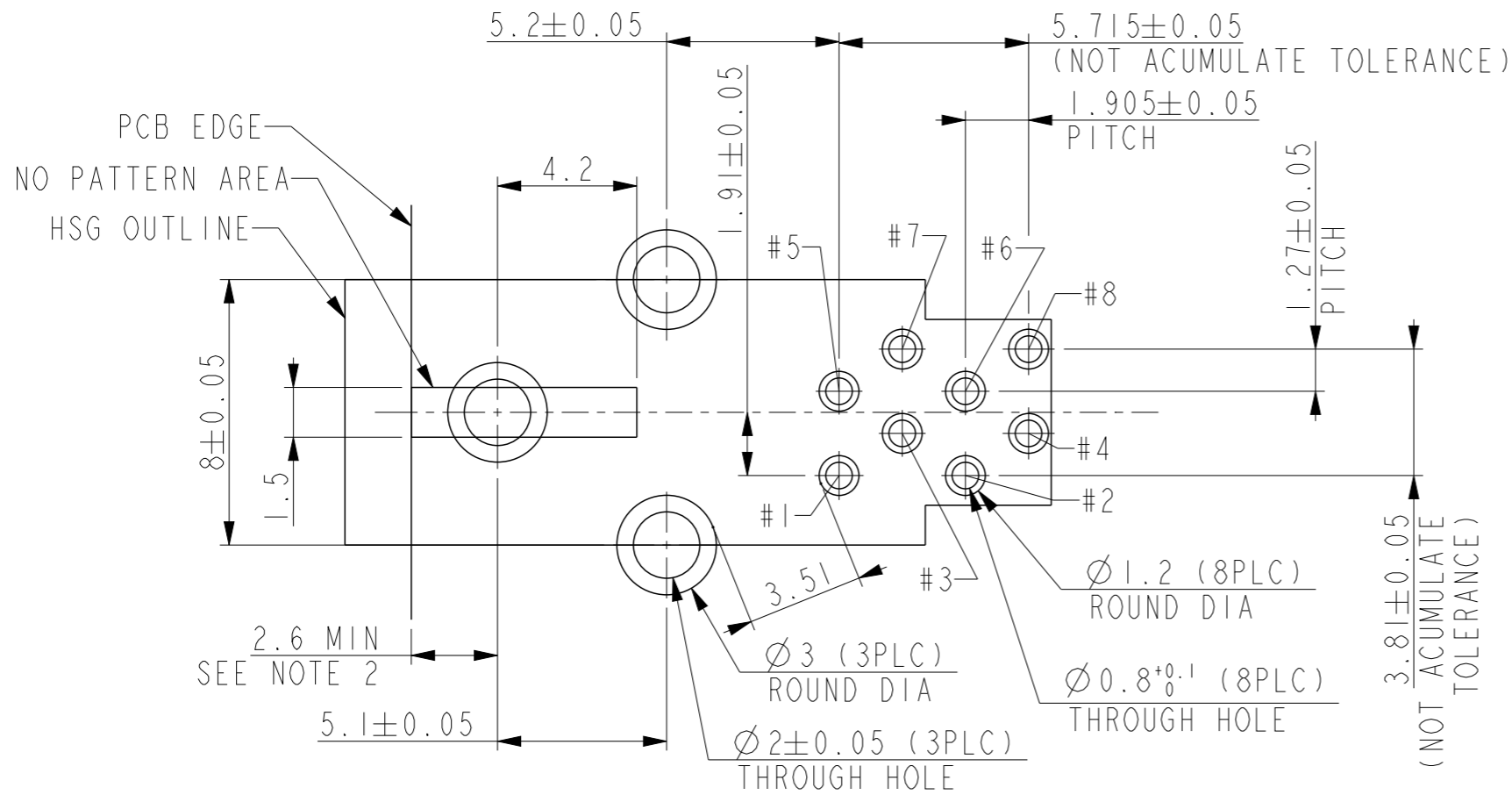
Amphenol
FCi

© 2016 AFci

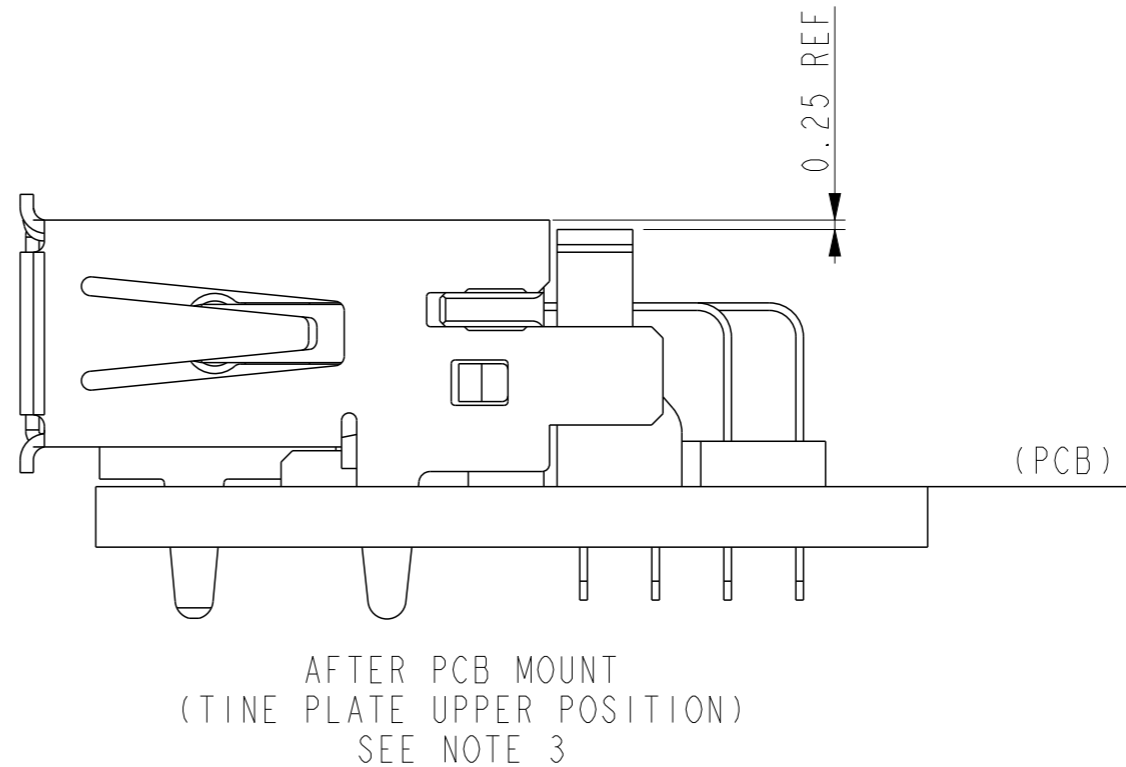
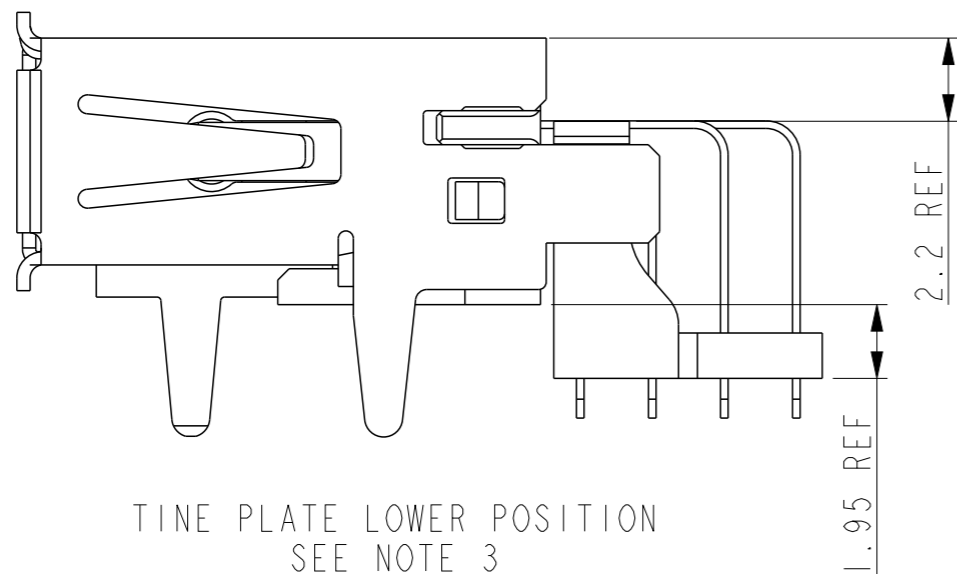
spec ref	GS-12-1345	dr	A P Sawanth	2016/07/13	projection	mm	size	A3	scale	5:1	
tolerance std	ISO 406 ISO 1101	eng	Johann Juillet	2016/09/08			ecn no	ELX-F-24924-1			
TOLERANCES UNLESS OTHERWISE SPECIFIED		chr	Johann Juillet	2016/09/09				product family	rel level	Released	
surface	linear	0.X	±0.3		INDUSTRIAL MINI I/O CONN		dwg no	10137850		rev	
		0.XX	±-		1.27mm PITCH			Product - Customer Drw	sheet 1 of 2		
	angular	0°	±5°		cat. no.						

NOTES:

- 1. MATERIAL AND FINISH
CONTACT: COPPER ALLOY
UNDER ALL SURFACE NICKEL 1.27µm MIN.
TOP CONTACT AREA : GOLD 0.5µm MIN
SOLDERING AREA : TIN PLATE.
HOUSING: THERMO PLASTIC (UL94V-0)
SHELL: COPPER ALLOY
UNDER ALL SURFACE NICKEL
TOP ALL SURFACE TIN
- 2. DIMENSION DECIDED BY CUSTOMER.
- 3. TINE PLATE CAN MOVE UP AND DOWN.
- 4. PACKAGING SPEC : GS-14-2538



RECOMMENDED BOARD DIMENSION (CONNECTOR SIDE) ±1.6



Amphenol FCI

© 2016 AFCI

spec ref	GS-12-1345	dr	A P Sawanth	2016/07/13	projection	mm	size	A3	scale	5:1
tolerance std	ISO 406 ISO 1101	eng	Johann Juillet	2016/09/08			ecn no	ELX-F-24924-1		
TOLERANCES UNLESS OTHERWISE SPECIFIED		chr	Johann Juillet	2016/09/09			rel level	Released		
surface	linear	0.X	±0.3	Amphenol FCI	product family	INDUSTRIAL MINI I/O CONN	dwg no	10137850		
		0.XX	±-		cat. no.	Product - Customer Drw	rev	B		
	angular	0°	±5°					sheet 2 of 2		