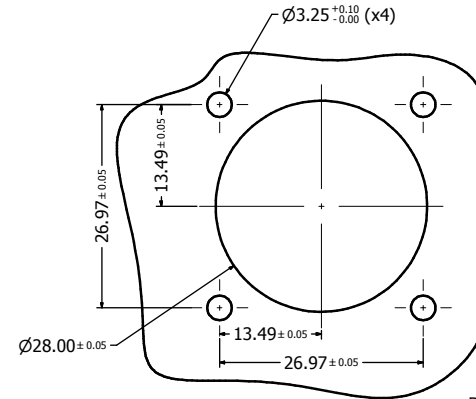
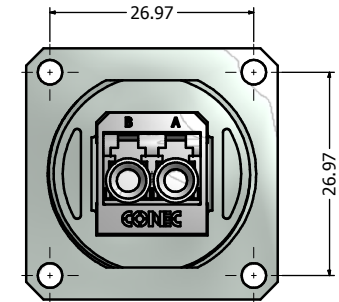
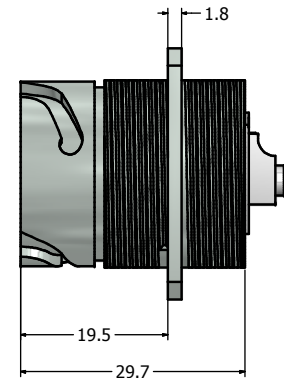
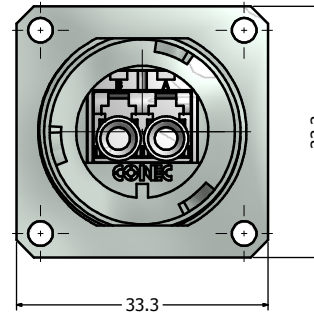
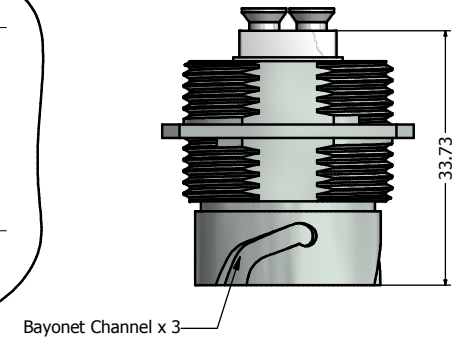


Recommended Double-D Panel Cutout



Recommended Round Panel Cutout



Notes:

- Material and Finish:
 - Receptacle Housing: Die-Cast, Nickel Plated
 - Duplex LC Adaptor Assembly:
 - Housing: Mod. PPO, UL94 V-0, Color: **SM Blue/MM Beige/APC SM Green**
 - Alignment Sleeves: SM Ceramic/MM Phosphor Bronze
 - Dust Cap: PP, Color: Neutral transparent
 - Operating Temperature: -40°C to +85°C
- Connector can be front or rear mounted to a maximum panel thickness of 3.2mm.
- IP67 rated when covered or fully mated with the appropriate mating connector

ⓄⓅ The panel gasket (P/N: 17-103540) and the M3 mounting hardware (P/N: 17-103530) must be ordered separately, the recommended mounting torque is 8 to 10 lb-inch

Description	Part Number
Single Mode (SM)	17-300440
Multi Mode (MM)	17-300450
APC Single Mode (APC SM)	17-300460

Directive 2002/95/EC RoHS Compliant

THIS DRAWING MAY NOT BE COPIED OR REPRODUCED IN ANY MANNER AND MAY NOT BE PASSED ON TO A THIRD PARTY WITHOUT WRITTEN PERMISSION. OWNERSHIP AND COPYRIGHT OF CONEC CORPORATION DO NOT ALTER CAD DRAWING BY HAND	Customer:			Tolerance Unless otherwise specified 0 PLC ±0.50 1 PLC ±0.38 2 PLC ±0.25 3 PLC ±0.10 ANGLES ±3°		Scale:	Dim. in mm		
	Name	Title	Approval Date			2011	Date	Name	Material: See Notes
	d	1 x d	Sep/25/2013			Vincent Ke	Norm		Title: IP67 Industrial Duplex LC Receptacle (with Flange) Assembly Kit Nickel Plated Zinc Die-Cast Version
	c	1 x c	Mar/08/2013			Vincent Ke	D-old		Drawing No.: 17K1A304
b	1 x b	Apr/23/2012	Vincent ke			Part No.: SEE PART NUMBER TABLE	DIN A3		
a	original						Sheet 1/1		
Rev.	Changes	Date	Name	CONEC®					