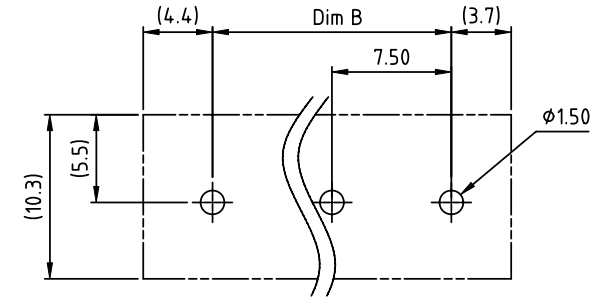
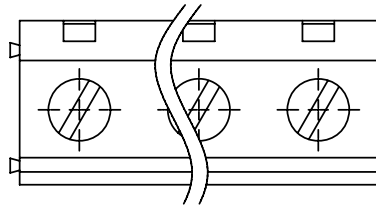
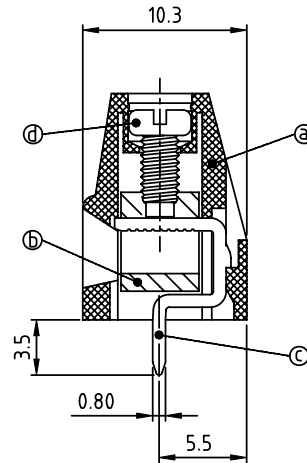
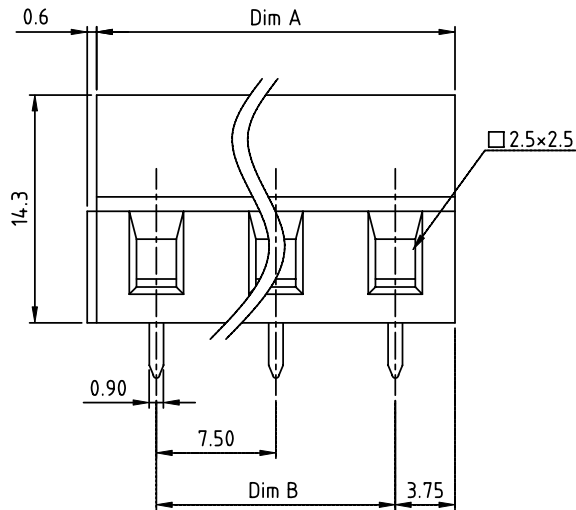


PRODUCT NUMBER	PITCH
Tlxx21x000J0G	7.50mm



RECOMMENDED P.C.B LAYOUT  
TOP VIEW



Material:

- Item Ⓐ Terminal housing: Thermoplastic (UL94V-0)
- Item Ⓑ Clamp: Brass, Ni plated
- Item Ⓒ Solder pin : Brass, Tin plated.
- Item Ⓓ Terminal screw: Steel, Zinc plating “-” slot type

Electrical:

- |                          |                         |           |                          |
|--------------------------|-------------------------|-----------|--------------------------|
|                          | CQC                     | cULus     | VDE                      |
| ● Voltage rating:        | 450V                    | 300V      | 450V                     |
| ● Current rating:        | 24A                     | 10A       | 10A                      |
| ● Wire range:            | 0.2-2.5 mm <sup>2</sup> |           | 0.34-4.0 mm <sup>2</sup> |
| ● Solid wire(AWG):       | 12-22                   |           |                          |
| ● Stranded wire(AWG):    | 12-22                   |           |                          |
| ● Toque:                 | 0.4Nm                   | 3.5 Lb-In | 0.4Nm                    |
| ● Screw:                 | M2.5                    |           |                          |
| ● Wire strip length:     | 6-7mm                   |           |                          |
| ● Withstanding Voltage:  | 2.5KV                   | 1.6KV     | 2KV                      |
| ● Operating temperature: | -40°C to +115°C         |           |                          |
| ● Soldering temperature: | 260°C ±5°C/5 Sec        |           |                          |
| ● Safety Approval:       |                         |           |                          |

DIMENSION

Dim A	N×7.50
Dim B	(N-1)×7.50

N=Number of poles

Poles	Tolerance
2p-4p	±0.20
5p-8p	±0.25
9p-12p	±0.30
13p-16p	±0.35

PART NO.: Tl xx 2 1 x 0 00J0 G

- |               |   |                   |                 |
|---------------|---|-------------------|-----------------|
| End stackable | 0 | Black (RAL9005)   | RoHS compliant  |
| No. of poles  | 2 | Red (RAL3001/D)   | (lead<4%)       |
| 02 2 poles    | 3 | Orange(RAL2011/P) | In copper Alloy |
| 03 3 poles    | 4 | Yellow(RAL1018/A) |                 |
| ... ..        | 5 | Green(RAL6018/T)  |                 |
| 16 16 poles   | 6 | Blue (RAL5015/A)  |                 |
|               | 8 | Grey(RAL7035/D)   |                 |
|               | 9 | White(RAL1102)    |                 |
|               | C | Green(RAL6018/U)  |                 |

mat'l. code		surface ASME Y14.5	tolerance ASME Y14.5	projection	product family
ltr ecn no dr date		tolerances unless otherwise specified			TERMINAL BLOCK
		angles	X.±0.5	MM	title
		X*±1*	X.X±0.3		TERMINAL BLOCK
			X.XX±0.1	scale	RISING CLAMP,END STACKABLE,180D WIRE INLET
		dr	EVIN ZHONG 040814		dwg no
		enrg	EVIN ZHONG 040814		sheet 1 of 1
		chr	HANKE FENG 040814		size
		appd	SHI JUN 040814		A4
sheet index	revision sheet	A	1		type
					CUSTOMER Drawing