

4

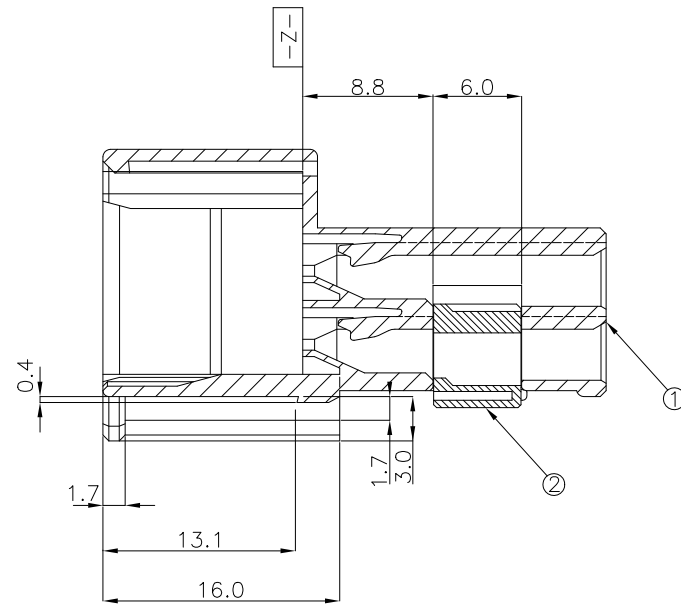
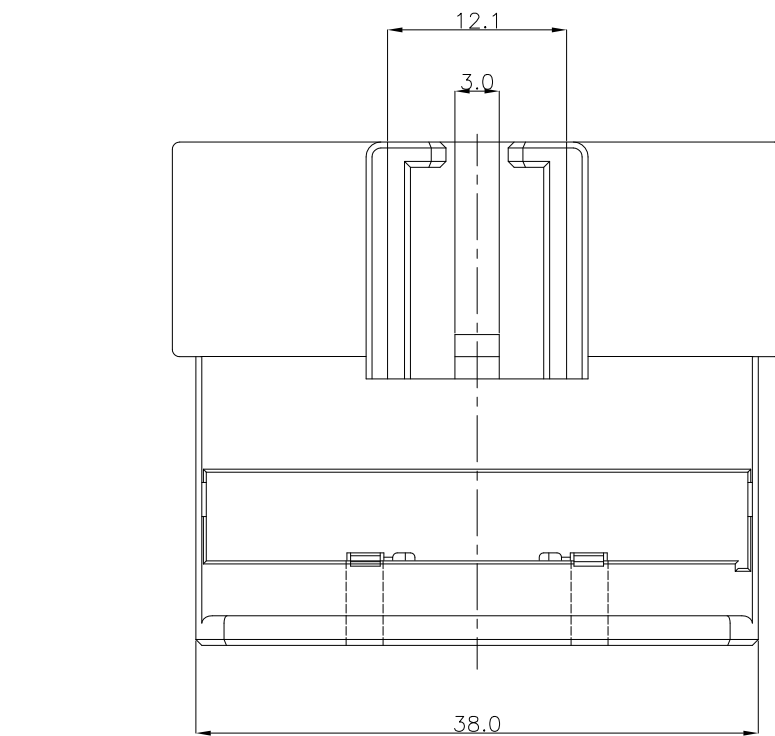
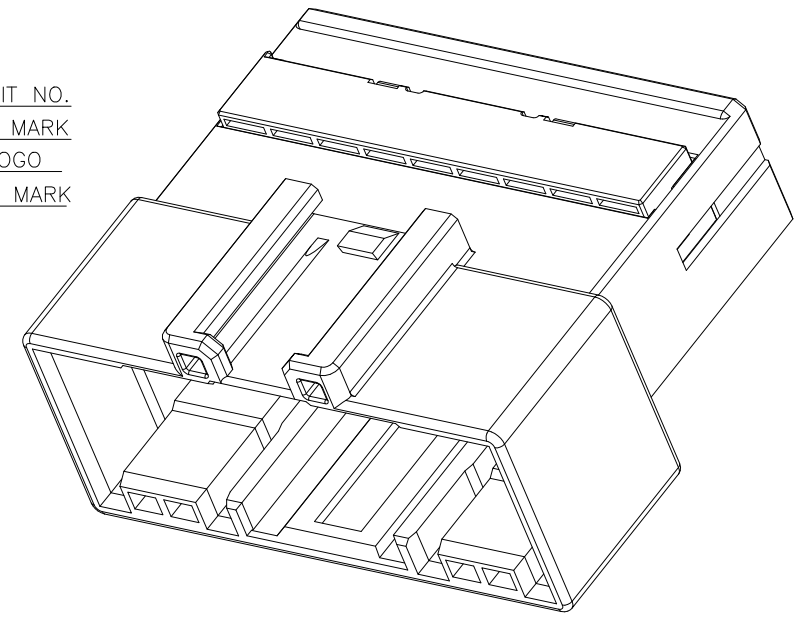
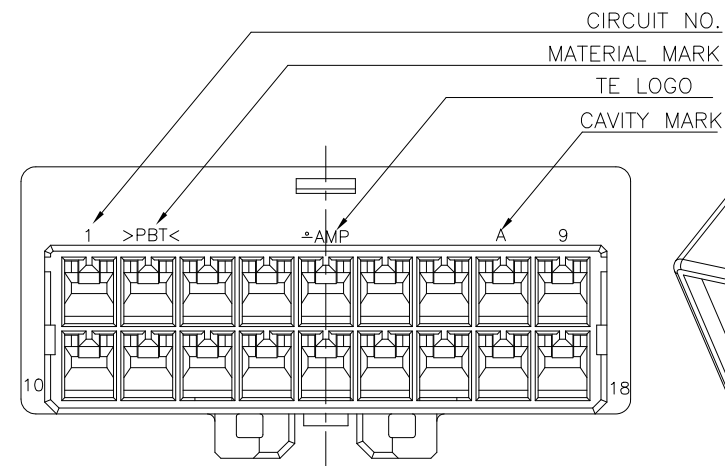
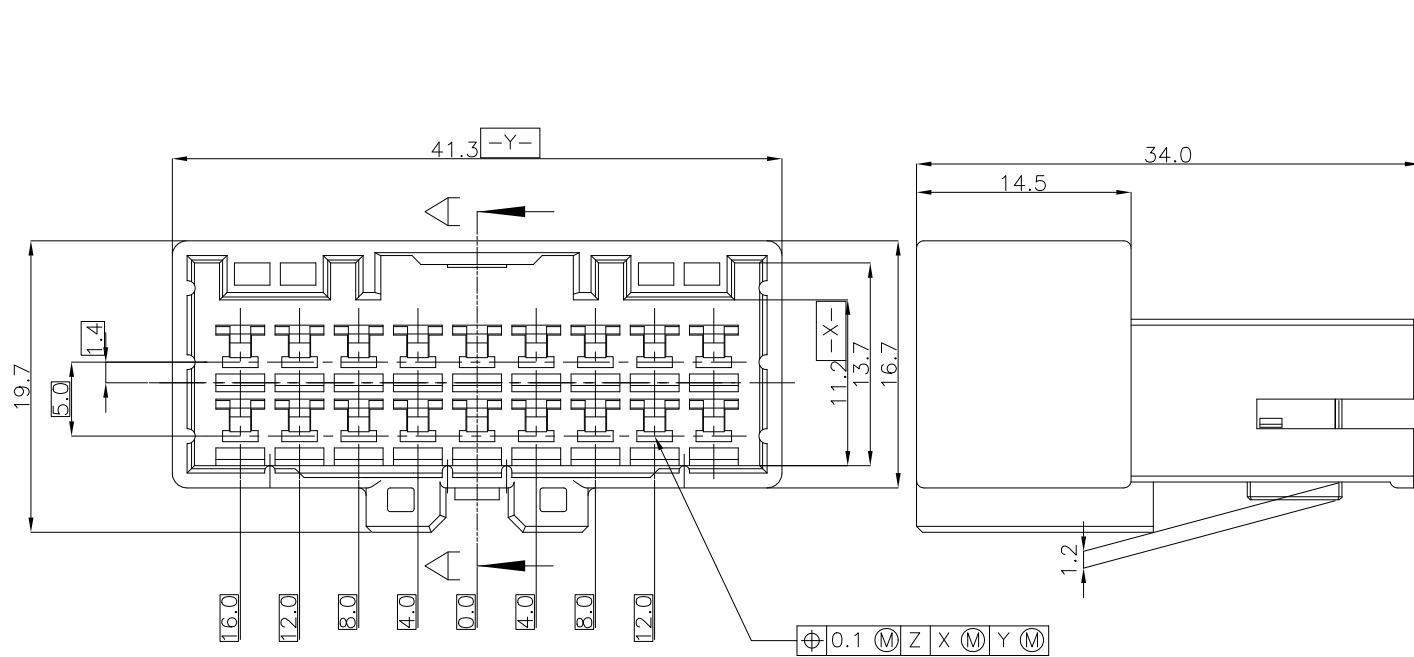
3

2

1

THIS DRAWING IS UNPUBLISHED. RELEASED FOR PUBLICATION
COPYRIGHT BY TYCO ELECTRONICS CORPORATION, ALL RIGHTS RESERVED.

LOC	DIST	REVISIONS					
		P	LTR	DESCRIPTION	DATE	DWN	APVD
DS	-		A	REVISED (FC00-0014-03)	28.JAN.'03	KTLIM	CS
			A1	REVISED (ECR-09-005035)	24.MAR.'09	KT	HG



SECTION A-A

- NOTES.
 1. THE MATING HSG. P/N ; 936204
 2. APPLIED CONTACT P/N ; 090 II TAB. - 368086, 368087, 368088, 1897752

- 주 기-
 1. 상대 하우징 P/N. ; 936204
 2. 적용단자 P/N. ; 090 II TAB. - 368086, 368087, 368088, 1897752

(A1)

(A1)

ASSY P/N
0-936213-8
0-936213-7
0-936213-6
0-936213-5
0-936213-4
0-936213-3
0-936213-2
0-936213-1

NO	COLOR	MATERIAL	DESCRIPTION	P/N	QTY
1	BLUE	PBT	CAP	0-936214-8	1
	GREEN	PBT	CAP	0-936214-7	1
	RED	PBT	CAP	0-936214-6	1
	YELLOW	PBT	CAP	0-936214-5	1
	BROWN	PBT	CAP	0-936214-4	1
	D/GRAY	PBT	CAP	0-936214-3	1
	BLACK	PBT	CAP	0-936214-2	1
	NATURAL	PBT	CAP	0-936214-1	1
2	NATURAL	PBT	DBL	0-936206-1	1 1 1 1 1 1 1 1

THIS DRAWING IS A CONTROLLED DOCUMENT FOR TYCO ELECTRONICS CORPORATION IT IS SUBJECT TO CHANGE AND THE CONTROLLING ENGINEERING ORGANIZATION SHOULD BE CONTACTED FOR THE LATEST REVISION.

DIMENSIONS: MM	TOLERANCES UNLESS OTHERWISE SPECIFIED: 0 <XX<10 ± 0.2 10<XX<30 ± 0.25 30<XX ± 0.3 ANGLES ± 3°
MATERIAL	FINISH
SEE TABLE	

DWN KT JUNG
 CHK JW JUNG
 APVD HG CHD
 PRODUCT SPEC -
 APPLICATION SPEC -
 WEIGHT -

Tyco Electronics AMP KOREA, Kyungsan, Korea

NAME: 090III 18P CAP ASS'Y

SIZE: A3 CAGE CODE: 00779 DRAWING NO: C-936213 RESTRICTED TO: -

CUSTOMER DRAWING SCALE: 2/1 SHEET: 1 OF 1 REV: A1