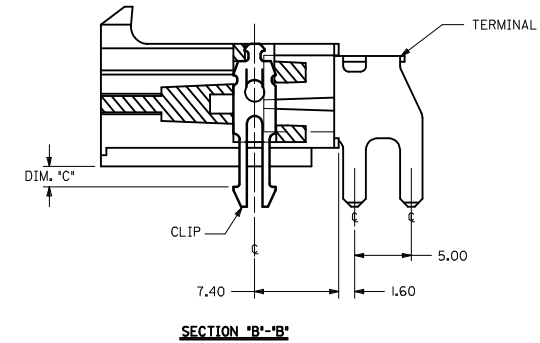
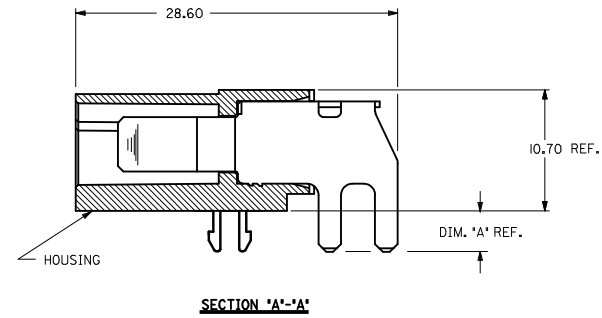


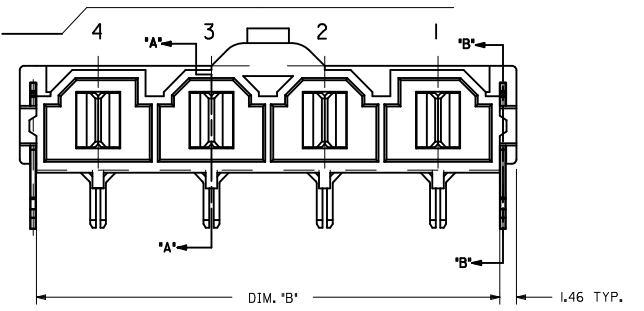
ITEM NUMBER	CKT. SIZE	STANDARD TERMINAL LOADED	QTY.	LOADED IN CIRCUIT POSITIONS	MFBL TERMINAL LOADED	QTY.	LOADED IN CIRCUIT POSITIONS	QUANTITY OF VOIDED CIRCUITS	DIM "A"	DIM "B"	DIM "C"	TERMINAL PLATING
44540-0001	3	YES	1	2	YES	2	1 & 3	NONE	3.50	30.90	1.80	OVERALL BRIGHT TIN
44540-0002	3	YES	2	2 & 3	NO	N/A	N/A	1	3.50	30.90	1.80	
44540-0003	3	YES	2	1 & 3	NO	N/A	N/A	1	3.50	30.90	1.80	
44540-0004	3	YES	2	1 & 2	NO	N/A	N/A	1	3.50	30.90	1.80	
44540-0005	5	YES	4	2, 3, 4, 5	YES	1	1	NONE	3.50	50.90	1.80	
44540-0006	4	YES	3	2, 3, 4	YES	1	1	NONE	3.50	40.90	1.80	
44540-0007	3	YES	2	1 & 2	YES	1	3	NONE	3.50	30.90	1.80	
44540-0008	4	YES	3	1, 2, 3	YES	1	4	NONE	3.50	40.90	1.80	
44540-0009	2	YES	1	2	YES	1	1	NONE	5.10	20.90	3.40	
44540-0010	2	YES	1	2	YES	1	1	NONE	3.50	20.90	1.80	
44540-0011	2	YES	1	1	YES	1	2	NONE	3.50	20.90	1.80	
44540-0012	4	YES	1	2	YES	3	1, 3 & 4	NONE	5.10	40.90	3.40	
44540-0013	3	YES	2	1 & 3	YES	1	2	NONE	3.50	30.90	1.80	
44540-0014	6	YES	5	1,2,3,4,5	YES	1	6	NONE	3.50	60.90	1.80	
44540-1001	3	YES	2	1 & 3	YES	1	2	NONE	3.50	30.90	1.80	SELECT GOLD IN CONTACT AREA MATTE TIN IN SOLDER TAILS
44540-1009	2	YES	1	2	YES	1	1	NONE	5.10	20.90	3.40	
44540-1010	3	YES	2	1 & 3	NO	N/A	N/A	1	3.50	30.90	1.80	SELECT SILVER IN CONTACT AREA SELECT MATTE TIN IN SOLDER TAILS
44540-1011	3	YES	2	1 & 3	NO	N/A	N/A	1	3.50	30.90	1.80	

NOTES:-

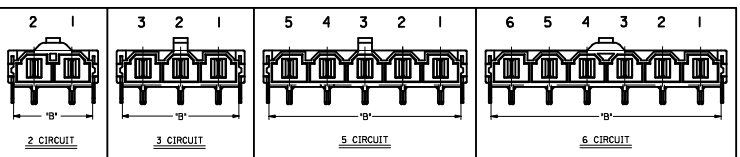
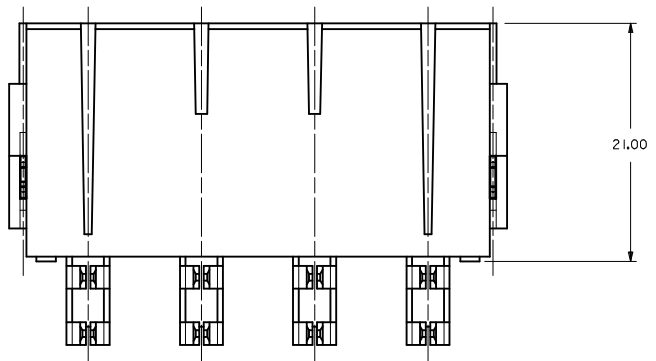
- MATERIAL: HOUSING:- GLASS FILLED NYLON 4/6, U.L. 94V-0, COLOR: BLACK.
TERMINAL:- HIGH PERFORMANCE COPPER ALLOY.
- PLATING: OVERALL BRIGHT TIN:- .000100/(.00254) MIN. TIN OVER .000050/(.00127) MIN. NICKEL.
SELECT GOLD:- .000030/(.00076) MIN. SELECT GOLD IN CONTACT AREA, .000100/(.00254) MIN. SELECT TIN ON SOLDER TAILS OVER .000050/(.00127) MIN. NICKEL.
SELECT SILVER: .000100/(.00254)MIN.SILVER, .000100/(.00254)MIN SELECT TIN ON SOLDER TAILS, BOTH OVER .000050/(.00127) MIN. NICKEL OVERALL.
- PRODUCT SPECS: NONE.
- PACKAGING INFORMATION: PK-42820-910.
- PART IS DESIGNED AND DIMENSIONED IN METRIC.
- WHEN USING OVERALL TIN PLATED TERMINALS, FOR APPLICATIONS INVOLVING VIBRATION AND/OR THERMAL CYCLING, MOLEX STRONGLY RECOMMENDS THE USE OF NYE LUBRICANT (NYOGEL 760G) ON THE MATING SURFACES OF THE TERMINAL, REFER TO AS-42815-001.
- THIS PART CONFORMS TO CLASS B REQUIREMENTS OF COSMETIC SPEC PS-45499-002.



CIRCUIT POSITIONS



4 CIRCUIT



ADD 44540-1011	EC NO: UCP2017-0093	DRWN: SCHAEFER	2016/07/13
CHKD:	APPR: FSMITH	DESCRIPTION	2016/07/25
REV	B7	DESCRIPTION	

QUALITY SYMBOLS	GENERAL TOLERANCES (UNLESS SPECIFIED)	
	mm	INCH
▽=0	4 PLACES ± .005	± .005
▽=0	3 PLACES ± .005	± .005
▽=0	2 PLACES ± 0.25	± .010
	1 PLACE ± 0.40	± .015
	0 PLACE ± .005	± .005
	ANGULAR ±1/2°	
	DRAFT WHERE APPLICABLE MUST REMAIN WITHIN DIMENSIONS	

DIMENSION STYLE		SCALE	DESIGN UNITS	THIRD ANGLE PROJECTION
MM ONLY		3:1	METRIC	
DRAWN BY	DATE	TITLE		
COMERC I	9/9/04	RIGHT ANGLE HEADER ASSY. W/ MFBL AND VOIDS MINI-FIT SR. SERIES		
CHECKED BY	DATE	molex		
COMERC I	9/9/04			
APPROVED BY	DATE	DOCUMENT NO.		
FSMITH	2015/04/01	SD-44540-001		
MATERIAL NO.	SEE CHART	SHEET NO.		
SIZE	C	1 OF 1		

THIS DRAWING CONTAINS INFORMATION THAT IS PROPRIETARY TO MOLEX INCORPORATED AND SHOULD NOT BE USED WITHOUT WRITTEN PERMISSION