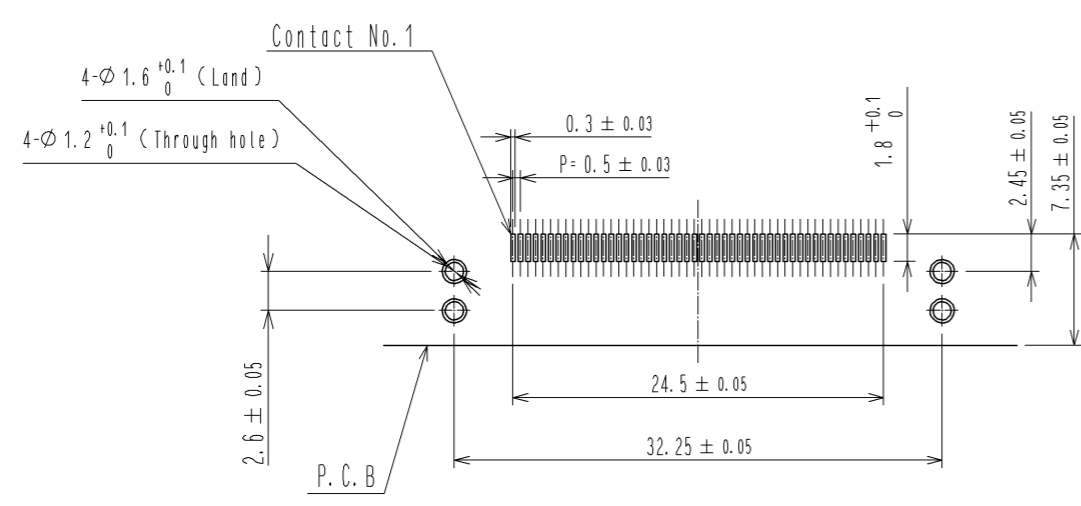


RECOMMENDED LAND PATTERN DIMENSION OF PCB
(PCB THICKNESS: t=1.6mm METAL MASK THICKNESS: t=0.12mm)



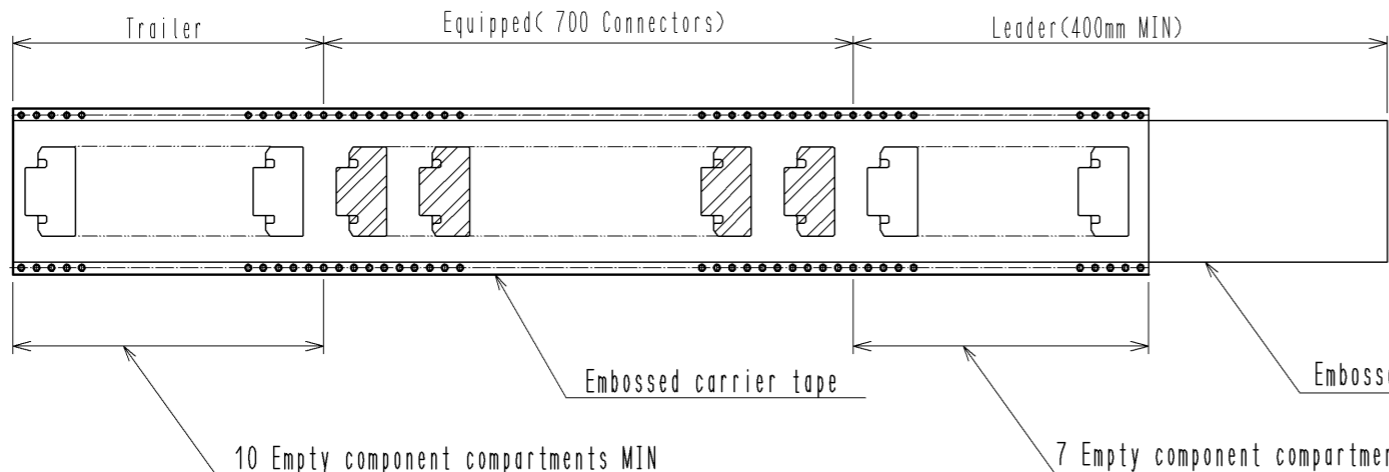
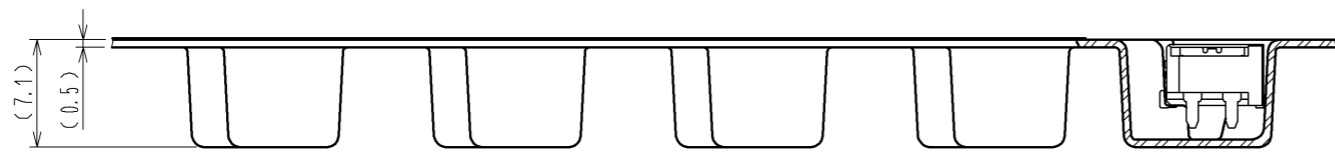
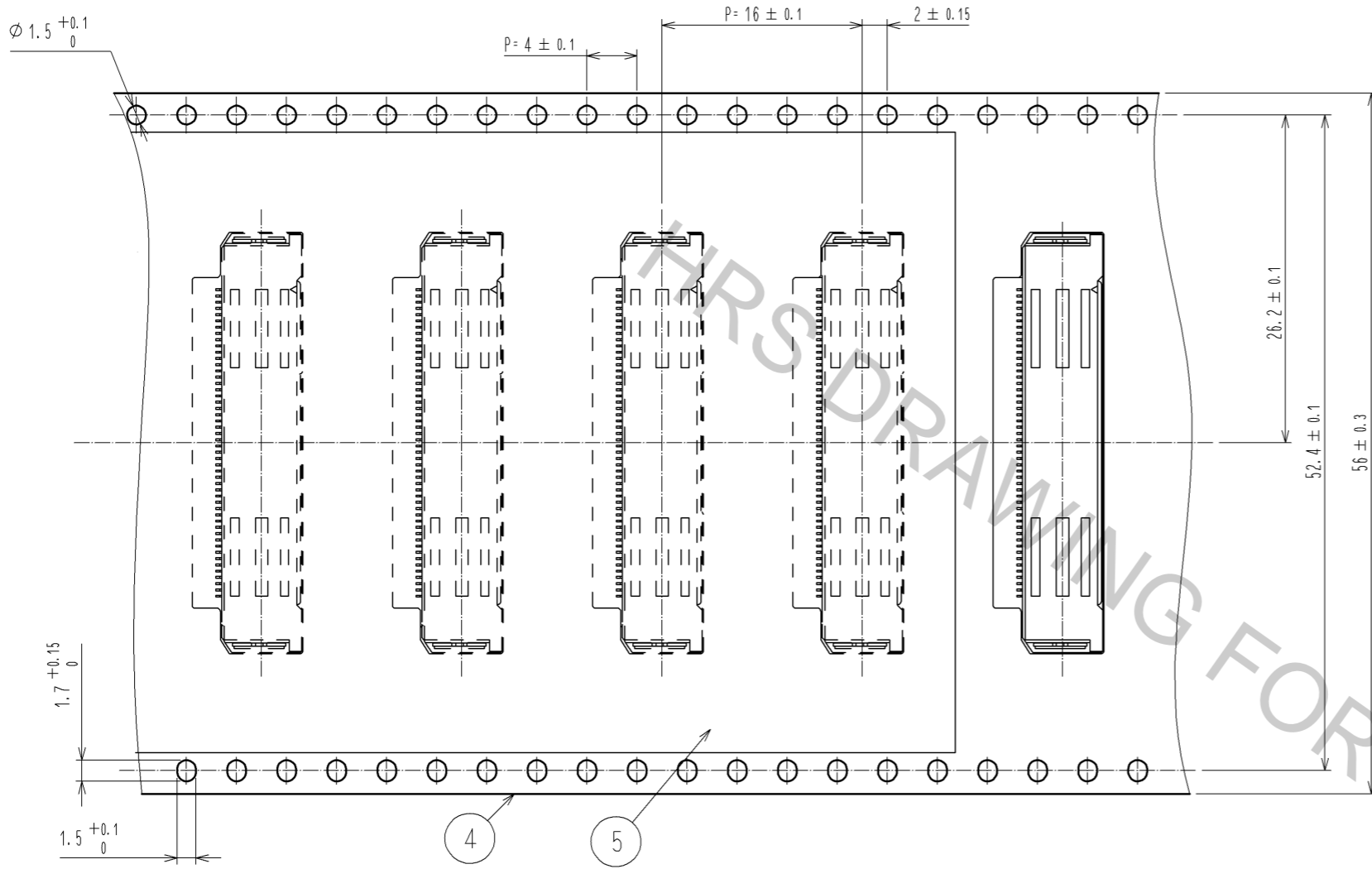
- NOTE 1 Lead CO-Planarity is 0.1mm MAX.
 ② It shows the vacuum pickup area.
 ③ Packing for product applies embossed carrier tape packing. (700pcs/RL)
 4 Blemish and hit mark can be occurred through out the manufacturing process which doesn't affect quality level.
 5 The dimensions in parentheses are for references.

3	COPPER ALLOY	CONTACT AREA: GOLD 0.1 μm	5	POLYESTER	(EMBOSSSED COVER TAPE)
		LEAD AREA: GOLD 0.03 μm	4	POLYSTYRENE	(EMBOSSSED CARRIER TAPE)
		UNDER PLATING: NICKEL 1.3 μm	3	BRASS	TIN-PLATING 3 μm
1	LCP	BLACK UL94V-0			UNDER PLATING: NICKEL 1 μm
NO.	MATERIAL	FINISH . REMARKS	NO.	MATERIAL	FINISH . REMARKS

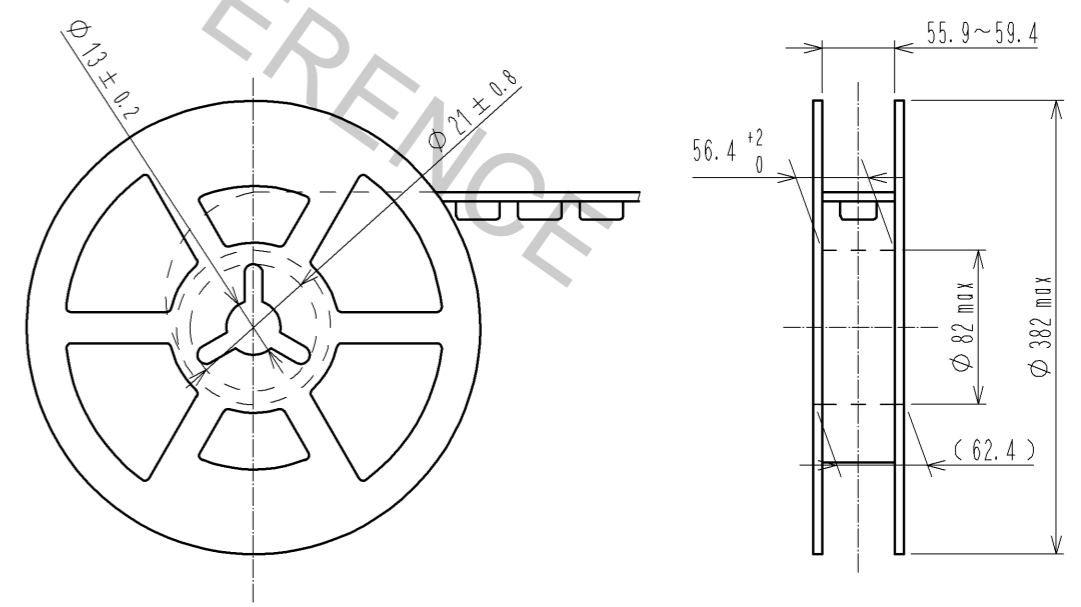
UNITS mm		SCALE 2 : 1	COUNT △	DESCRIPTION OF REVISIONS	DESIGNED	CHECKED	DATE
APPROVED : HS. OKAWA 14.07.07				DRAWING NO. EDC3-352601-00			
CHECKED : KN. SHIBUYA 14.07.07				PART NO. FX22-50S-0.5SH			
DESIGNED : AH. EDASHIGE 14.07.07				CODE NO. CL572-3101-9-00			
DRAWN : AH. EDASHIGE 14.07.07				△ 1/2			

3 DRAWING FOR PACKING

The direction of pulling out →



REELING DIMENSION (No scale)



HRS	DRAWING NO.	EDC3-352601-00	2/2
	PART NO.	FX22-50S-0.5SH	
	CODE NO.	CL572-3101-9-00	