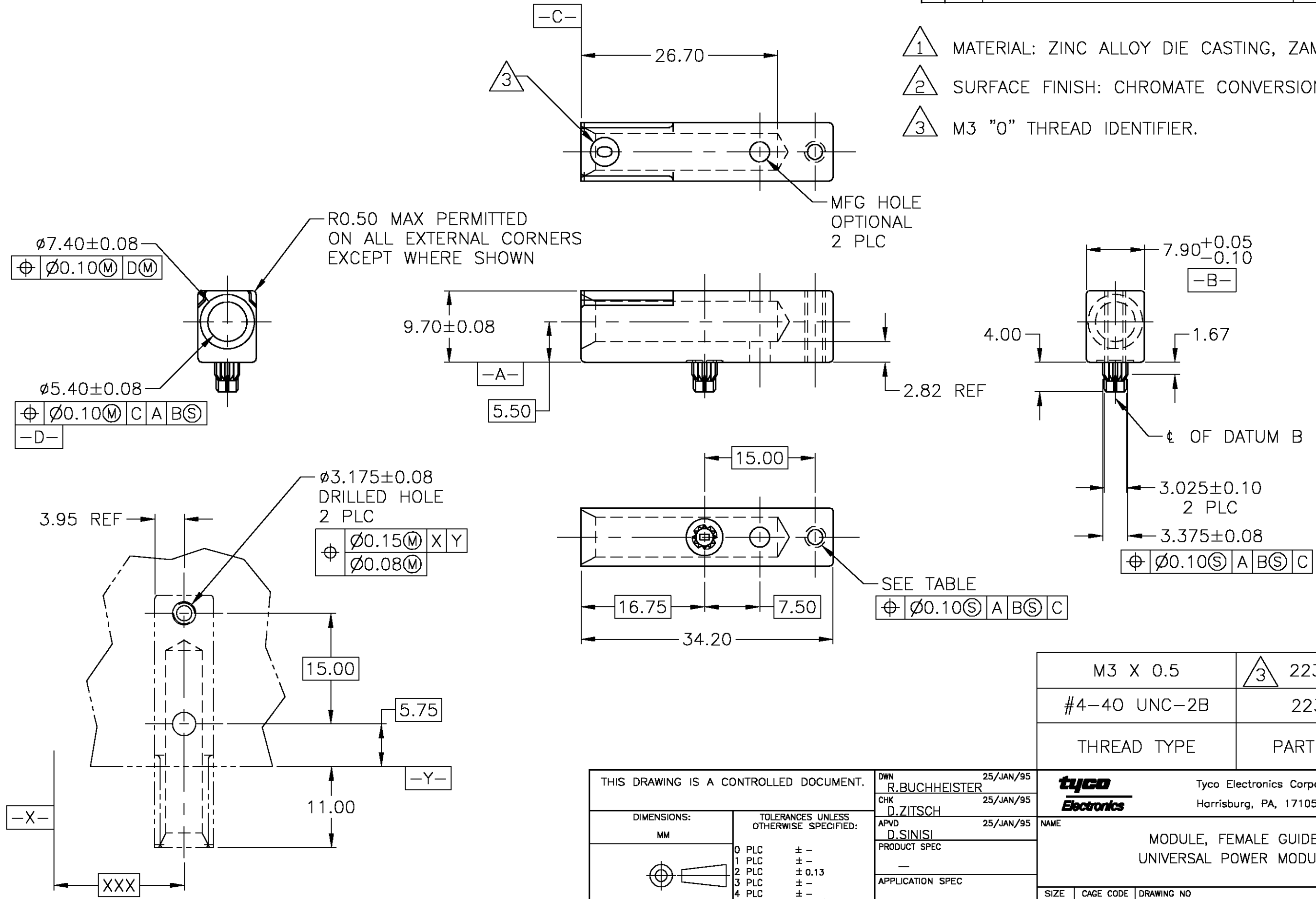


THIS DRAWING IS UNPUBLISHED. RELEASED FOR PUBLICATION  
 © COPYRIGHT BY TYCO ELECTRONICS CORPORATION. ALL RIGHTS RESERVED.

LOC	DIST	REVISIONS					
AD	00	P	LTR	DESCRIPTION	DATE	DWN	APVD
		F		REV PER EC 0S12-0186-03	06MAY03	BC	RP

- 1 MATERIAL: ZINC ALLOY DIE CASTING, ZAMAK 3.
- 2 SURFACE FINISH: CHROMATE CONVERSION COATING.
- 3 M3 "0" THREAD IDENTIFIER.



SEE TABLE  
 $\phi 0.10$  (S) A B (S) C

M3 X 0.5	3 223957-3
#4-40 UNC-2B	223957-1
THREAD TYPE	PART NUMBER

THIS DRAWING IS A CONTROLLED DOCUMENT.		DWN R.BUCHHEISTER 25/JAN/95	Tyco Electronics Corporation Harrisburg, PA, 17105-3608	
DIMENSIONS: MM		CHK D.ZITSCH 25/JAN/95		
TOLERANCES UNLESS OTHERWISE SPECIFIED:		APVD D.SINISI 25/JAN/95	NAME	
0 PLC ± -		PRODUCT SPEC	MODULE, FEMALE GUIDE, UNIVERSAL POWER MODULE	
1 PLC ± -		APPLICATION SPEC	SIZE	CAGE CODE
2 PLC ± 0.13		WEIGHT	A3	00779
3 PLC ± -		CUSTOMER DRAWING	DRAWING NO C-223957	
4 PLC ± -		SCALE	2:1	SHEET 1 OF 1
ANGLES ± -		RESTRICTED TO	-	
FINISH		REV	F	