

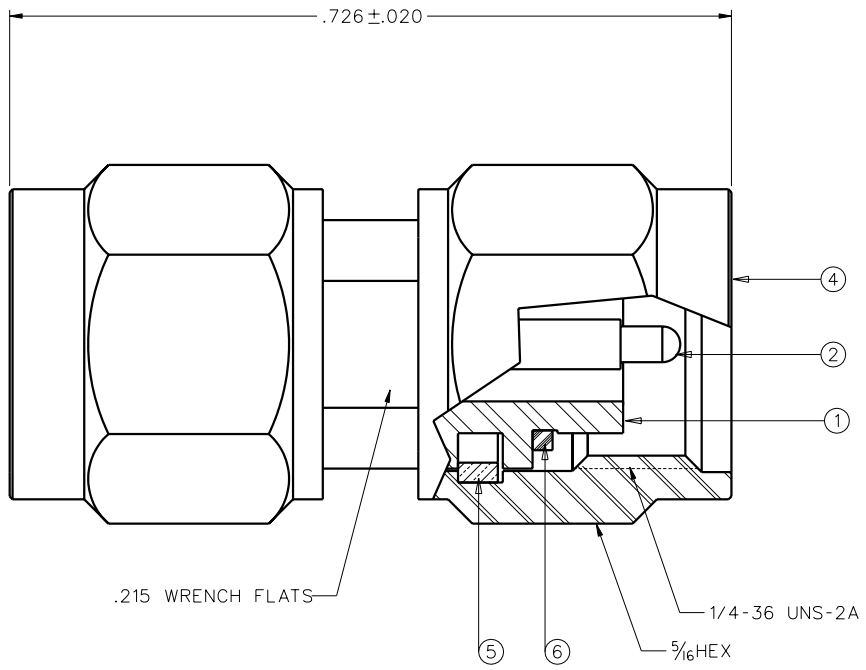
DRAWING NO.
C - 145-0901-811/820

0 REVISIONS

ENGINEERING RELEASE

1 4-21-04 A R 12-17-03 ECN 4909Z

PART NUMBER 145-0901-811	ITEM ① BODY STAINLESS STEEL GOLD PL .00001 MIN OVER NICKEL PL .00005 MIN OVER	ITEM ② CONTACT BERYLLIUM COPPER GOLD PL .00005 MIN OVER NICKEL PL .00005 MIN OVER COPPER PL .00005 MIN	ITEM ③ (NOT SHOWN) SUPPORT BEAD MODIFIED PPE RESIN	ITEM ④ (2X) COUPLING NUT STAINLESS STEEL GOLD PL .00001 MIN OVER NICKEL PL .00005 MIN OVER	ITEM ⑤ (2X) RETENTION SPRING BERYLLIUM COPPER UNPLATED	ITEM ⑥ (2X) GASKET SILICONE
-----------------------------	---	---	--	--	---	-----------------------------------



NOTES:

1. SPECIFICATIONS:

IMPEDANCE: 50 OHMS
 FREQUENCY RANGE: 0-40.0 GHZ
 VSWR: 1.20 MAX
 WORKING VOLTAGE: 500 VRMS MAX AT SEA LEVEL
 DIELECTRIC WITHSTANDING VOLTAGE: 1500 VRMS MIN AT SEA LEVEL
 INSULATION RESISTANCE: 5000 MEGOHM MIN
 CONTACT RESISTANCE:
 CENTER CONTACT - INITIAL 4.0 MILLIOHM MAX, AFTER ENVIRONMENTAL 6.0 MILLIOHM MAX
 OUTER CONDUCTOR - INITIAL 2.0 MILLIOHM MAX AFTER ENVIRONMENTAL NOT APPLICABLE
 BRAID TO BODY - NOT APPLICABLE
 CORONA LEVEL: 375 VOLTS MIN AT 70,000 FEET
 INSERTION LOSS: .06 √F (F IN GHZ)
 RF LEAKAGE: -90 dB MIN AT 2.5 GHZ
 RF HIGH POTENTIAL WITHSTANDING VOLTAGE: 1000 VRMS MIN AT 4 AND 7 MHZ

MECHANICAL:

ENGAGE/DISENGAGE TORQUE: 2 INCH-POUNDS MAX
 MATING TORQUE: 7-10 INCH POUNDS
 COUPLING PROOF TORQUE: 15 INCH-POUNDS
 COUPLING NUT RETENTION: 60 POUNDS MINIMUM
 CONTACT RETENTION: 6 LBS MIN AXIAL FORCE
 CABLE ACCEPTABILITY: NOT APPLICABLE
 CABLE HEX CRIMP SIZE: NOT APPLICABLE
 CABLE RETENTION: NOT APPLICABLE
 DURABILITY: 500 CYCLES MIN

ENVIRONMENTAL:

(MEETS OR EXCEEDS THE APPLICABLE PARAGRAPH OF MIL-C-39012)
 THERMAL SHOCK: MIL-STD-202, METHOD 107, CONDITION B
 OPERATING TEMPERATURE: -65 DEG C TO 165 DEG C
 CORROSION: MIL-STD-202, METHOD 101, CONDITION B
 SHOCK: MIL-STD-202, METHOD 213, CONDITION I
 VIBRATION: MIL-STD-202, METHOD 204, CONDITION D
 MOISTURE RESISTANCE: MIL-STD-202, METHOD 106

CUSTOMER DRAWING

THIS DRAWING TO BE INTERPRETED PER ANSIZ 14.5M - 1982

"μ STATION"

COMPANY CONFIDENTIAL

TOLERANCE UNLESS OTHERWISE SPECIFIED	DRAWN BY T.A.Kari	DATE 12-11-03	<p>Cinch Connectivity Solutions 299 Johnson Ave, Ste. 100 Waseca, MN 56093 1-800-247-8256</p>
DECIMALS .XX	CHECKED BY	DATE	
mm	APPROVED BY	DATE	TITLE ADAPTER ASSEMBLY PLUG TO PLUG SMK (2.92mm)
MATL	APPROVED BY T.A.Kari	DATE 4-21-04	CODE NO.
FINISH	RELEASE DATE	4-21-04	DRAWING NO. C - 145-0901-811/820
			SCALE 10:1
			U/M INCH
			SHEET 2 OF 2