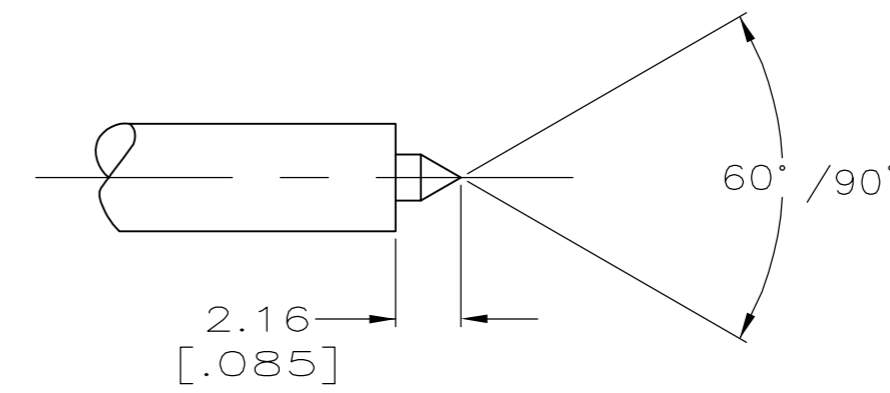
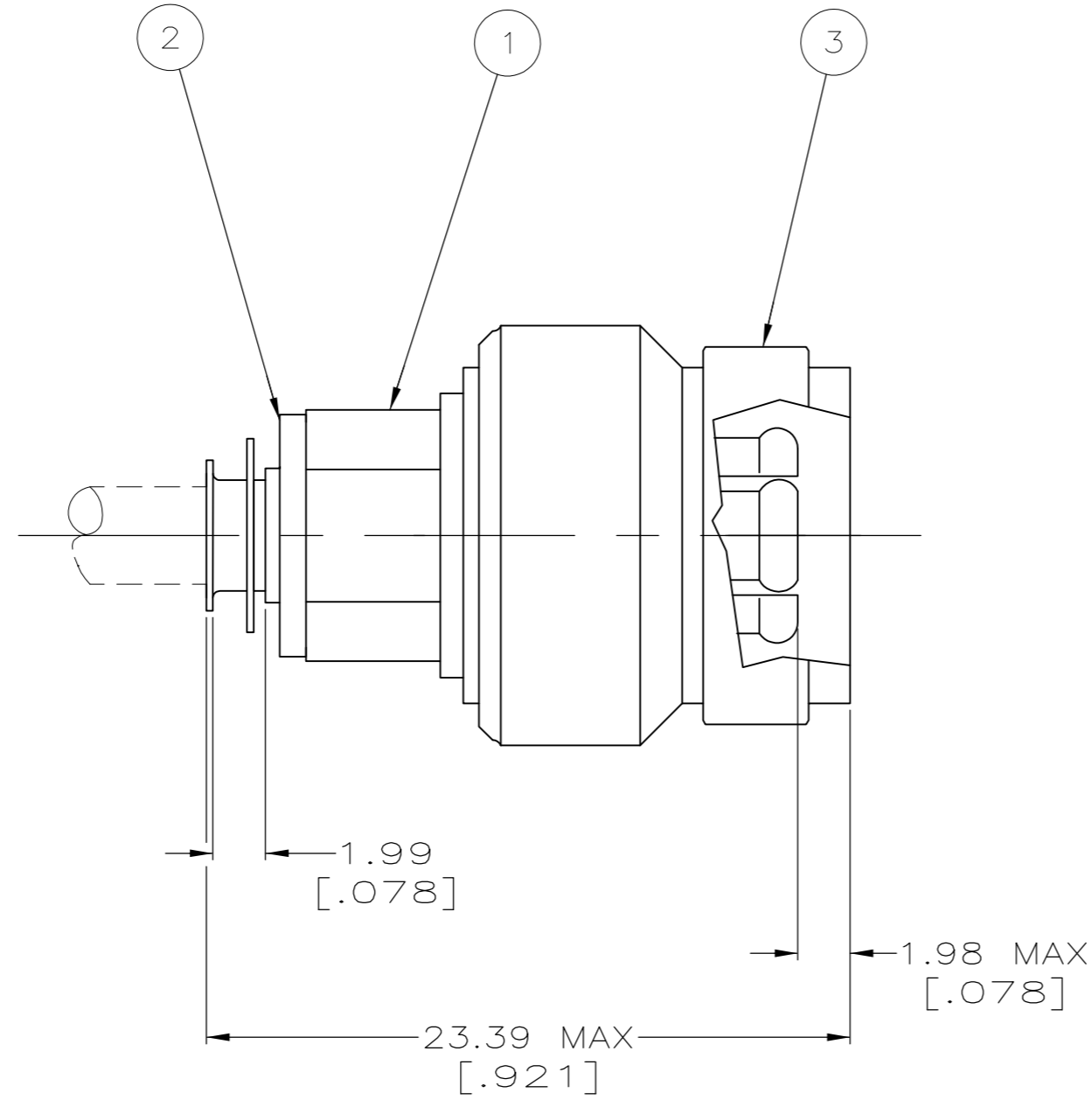


THIS DRAWING IS UNPUBLISHED. RELEASED FOR PUBLICATION
 © COPYRIGHT BY TYCO ELECTRONICS CORPORATION. ALL RIGHTS RESERVED.

LOC	DIST	REVISIONS					
		P	LTR	DESCRIPTION	DATE	DWN	APVD
AJ	16	G		RDW & REV PER 0S14-0193-04	06-09-04	JDP	JGH
		G1		REVISED PER ECO-09-020689	02AUG09	KK	AEG

- 1 USE INSTRUCTION SHEET 408-2990
- 2 OBSOLETE PARTS: OBSOLETE CIS STREAMLINING PER D.RENAUD/D.SINISI



OBSOLETE	RG-405/U, .086 CABLE OD	-	-	-	-	228505-1	228312-1	228179-4
	RG-402 OR MI7/130	220235-1	312644-1	59980-1	-	228446-2	228312-2	228179-3
2 OBSOLETE	.141 CABLE OD, 50Ω	220235-1	220220-1	220218-1	-	228446-1	228312-1	228179-2
SUPERSEDED	.141 CABLE OD, 50Ω	59897-1	220220-2	59980-1	226181-2	228077-3	226324-1	228179-1
	FOR USE WITH CABLE	DIE SET	LOCATOR	HAND TOOL	3 COLLAR QTY=1	2 ADAPTOR ASSEMBLY QTY=1	1 PLUG ASSEMBLY QTY=1	PART NUMBER

THIS DRAWING IS A CONTROLLED DOCUMENT.

DWN	K. TOBIAS	10-27-92
CHK	M.E. COWHER	12-11-92
APVD	M.E. COWHER	12-11-92
PRODUCT SPEC	-	-
APPLICATION SPEC	-	-
WEIGHT	-	-
CUSTOMER DRAWING	SCALE 4:1	SHEET 1 OF 1

Tyco Electronics Corporation
 Harrisburg, Pa 17105-3608
 NAME: PLUG, TNC
 SIZE: A2 CAGE CODE: 00779 DRAWING NO: C=228179 RESTRICTED TO: -
 REV: G1