

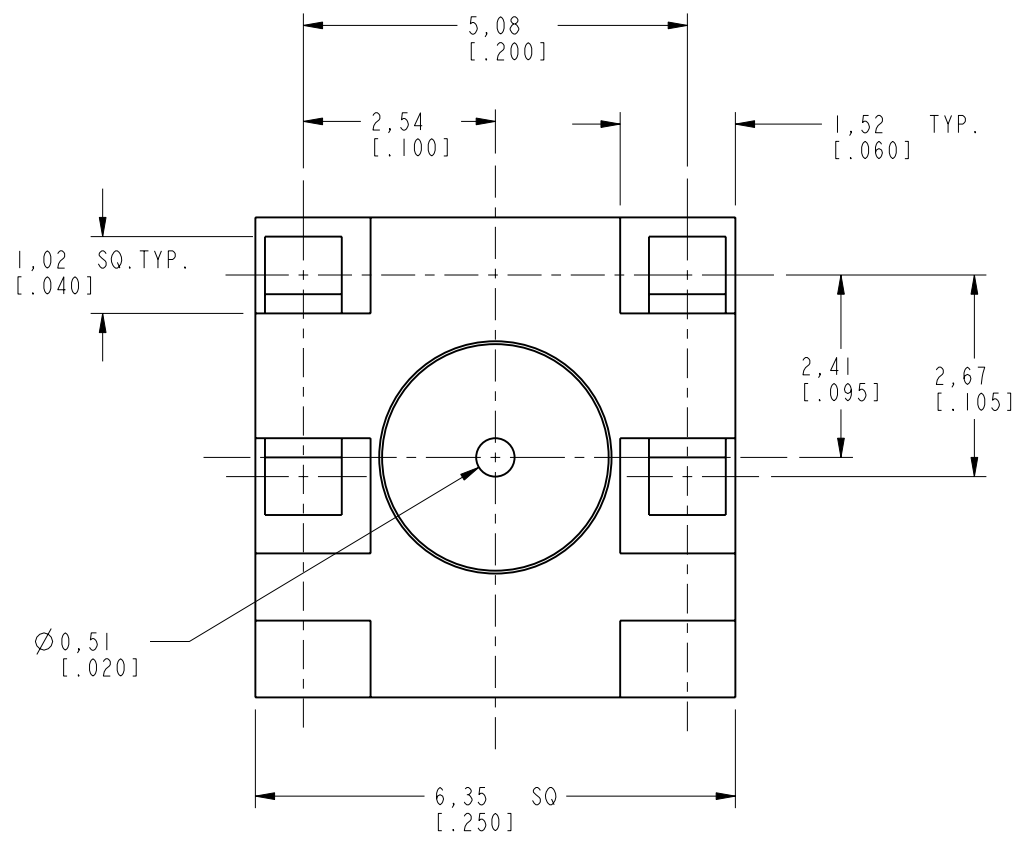
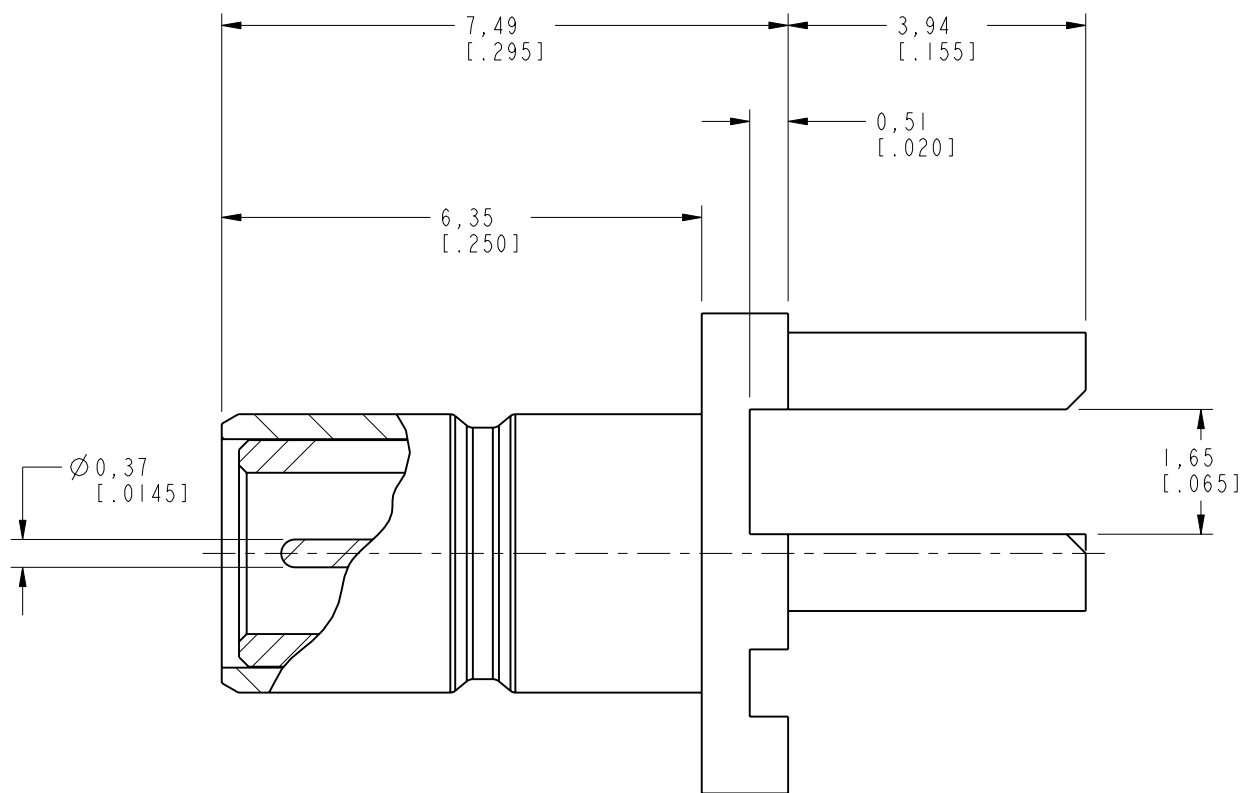
NOTES:

1. MATERIALS AND FINISHES(PLATING THICKNESS IN MICRO-INCHES):
 BODY - BRASS, GOLD PLATING
 CONTACT - BERYLLIUM COPPER, GOLD PLATING
 INSULATOR - PTFE
2. ELECTRICAL:
 A. IMPEDANCE: 75 OHM
 B. FREQUENCY RANGE: DC-4 GHz
 C. VSWR: 1.3 MAX.
 D. DIELECTRIC WITHSTANDING VOLTAGE: 1000 VRMS, MIN.
3. MECHANICAL:
 A. DURABILITY: 500 CYCLES MIN.
 B. TEMPERATURE RANGE: -65°C to +165°C
4. DESIGNED FOR USE WITH 1.57[.062] THICK PRINTED CIRCUIT BOARD

THIRD ANGLE PROJ.

REVISIONS

REV	DESCRIPTION	DATE	ECO	APPR
A	OFFICIAL ENG.RELEASE TO MFG.	11-22-95	41048	PB/RV
B	ADD DUAL DIMENSIONS\RD-DM11070502R3\RD-DM11072001R3	26-Jul-11	48666	SH



CUSTOMER OUTLINE DRAWING
 ALL OTHER SHEETS ARE FOR INTERNAL USE ONLY

UNLESS OTHERWISE SPECIFIED, DIMENSIONS ARE IN METRIC AND TOLERANCES ARE: <0.5mm ±0.05mm 0.5 - 6mm ±0.1mm 6 - 30mm ±0.2mm 30 - 120mm ±0.3mm ANGLES ±1°	MATERIAL -	DRAWN R. MAO	DATE 26-Jul-11	TITLE 75 OHM SMB JACK PC END MOUNT	Amphenol RF www.amphenolrf.com
		ENGINEER R. VACCARD	DATE 14-Nov-95		
NOTICE - These drawings, specifications, or other data (1) are, and remain the property of Amphenol corp. (2) must be returned upon request; and (3) are confidential and not to be disclosed to any person other than those to whom they are given by Amphenol Corp. the furnishing of these drawings, specifications, or other data by Amphenol Corp., or to any other person to anyone for any purpose is not to be regarded by implication or otherwise in any manner licensing, granting rights to permitting such holder or any other person to manufacture, use or sell any product, process or design, patented or otherwise, that may in any way be related to or disclosed by said drawings, specifications, or other data.	REFERENCE EAR 111-964708 111-964730 KS 24190 L4 ISSUE 1 615X-1375-100	APPROVED S. HSIEH	DATE 26-Jul-11	SCALE: 10.0:1.0 SHEET 2 OF 2	DRAWING NO. 903-518J-71P
	FINISH	CAD FILE	DWG SIZE B	REV B	ITEM NO. 903-518J-71P
					PART NO. 903-518J-71P