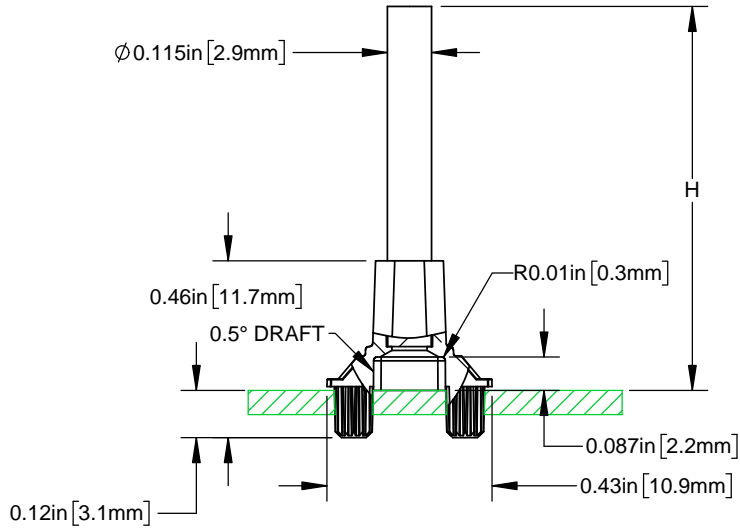
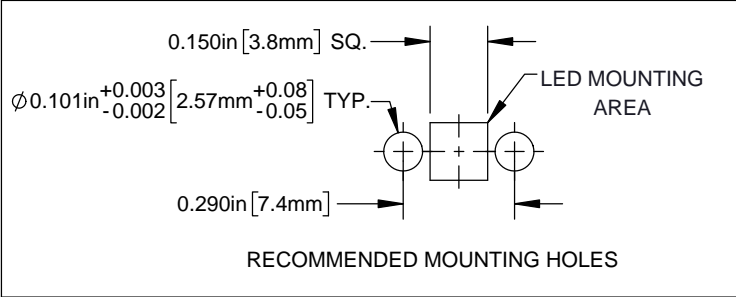
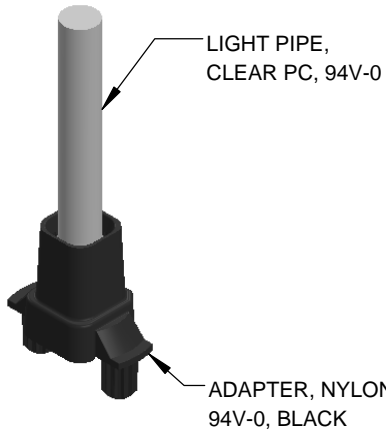
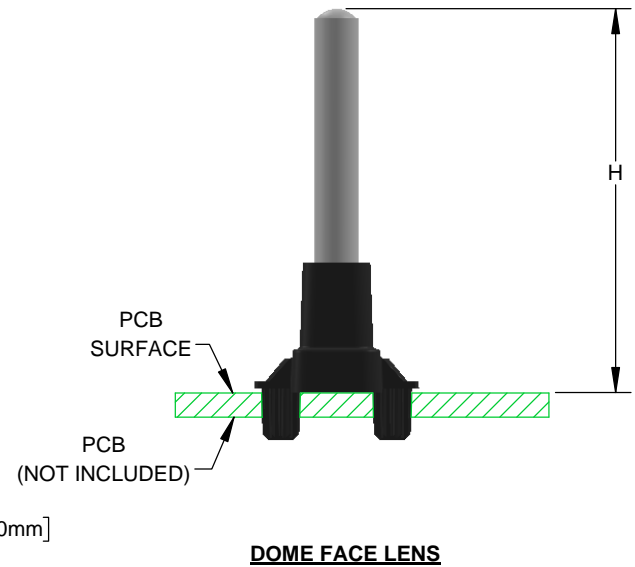
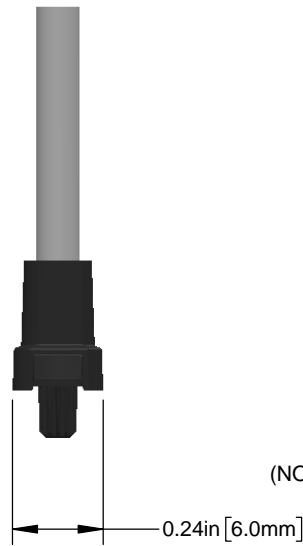
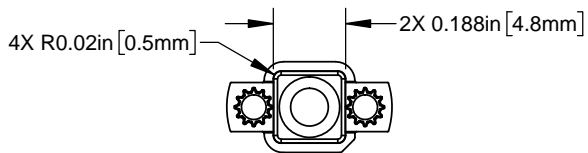


REVISIONS			
REV.	DESCRIPTION	DATE	APPROVED
A	Engineering Release	3/16/2018	M.C.



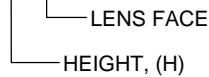
FLAT FACE LENS

DIMENSIONS ARE APPLICABLE TO BOTH LENS FACES UNLESS OTHERWISE NOTED



DOME FACE LENS

PART NUMBER CONFIGURATION
(SEE PAGE 2, TABLES A & B)
LPV3-XXXXXP



STANDARD TOLERANCE (UNLESS OTHERWISE SPECIFIED)		 4 THOMAS, IRVINE, CA. 92618 TEL: (949) 951-8808 FAX: (949) 951-3974	
DECIMALS	ANGULAR		
.X ± .1	X° ± 1°	TITLE: BIVAR LIGHT PIPE SYSTEM, VERTICAL, 3MM, SINGLE STATION	
.XX ± .01			
.XXX ± .005			
DESIGNED: K. BARON	DATE: 03/16/18	PART NO.: LPV3-XXXXXP	REVISION: A
REVISED: N/A	DATE: N/A	CAGE CODE: 32559	
CHECKED: TD. NGUYEN	DATE: 03/16/18	SCALE: 2:1	SHEET # 1 OF 2

CAD GENERATED DOCUMENT, DO NOT MEASURE DRAWING

REVISIONS			
REV.	DESCRIPTION	DATE	APPROVED
	See Sheet 1		

STANDARD ORDERING INFORMATION

TABLE A - FLAT FACE LENS	
PART NO.	H ±.01
LPV3-0350FP	0.350 [8.9mm]
LPV3-0400FP	0.400 [10.2mm]
LPV3-0450FP	0.450 [11.4mm]
LPV3-0500FP	0.500 [12.7mm]
LPV3-0550FP	0.550 [14.0mm]
LPV3-0600FP	0.600 [15.2mm]
LPV3-0750FP	0.750 [19.1mm]
LPV3-1000FP	1.000 [25.4mm]
LPV3-1250FP	1.250 [31.8mm]
LPV3-1500FP	1.500 [38.1mm]
LPV3-1750FP	1.750 [44.5mm]
LPV3-2000FP	2.000 [50.8mm]

TABLE B - DOME FACE LENS	
PART NO.	H ±.01
LPV3-0350DP	0.350 [8.9mm]
LPV3-0400DP	0.400 [10.2mm]
LPV3-0450DP	0.450 [11.4mm]
LPV3-0500DP	0.500 [12.7mm]
LPV3-0550DP	0.550 [14.0mm]
LPV3-0600DP	0.600 [15.2mm]
LPV3-0750DP	0.750 [19.1mm]
LPV3-1000DP	1.000 [25.4mm]
LPV3-1250DP	1.250 [31.8mm]
LPV3-1500DP	1.500 [38.1mm]
LPV3-1750DP	1.750 [44.5mm]
LPV3-2000DP	2.000 [50.8mm]

BIVAR [®]		REVISION:
PART NO: LPV3-XXXXXP		A
SCALE: N/A	SHEET # 2 OF 2	
CAD GENERATED DOCUMENT, DO NOT MEASURE DRAWING		