

VERTICAL HOUSING ASSEMBLY PRODUCT NUMBER  
10121382 - X PP SS C M LF

MOUNTING FEATURES

S = SCREW MOUNT

CENTER LINE DISTANCE BETWEEN POWER AND SIGNAL POSITIONS AT MATING INTERFACE

3 = 4.375

NUMBER OF SIGNAL CONTACTS  
00 OR 10 TO 40 IN INCREMENTS OF 5

TOTAL NUMBER OF POWER CONTACTS. IF STYLE S, THEY WILL BE DIVIDED EQUALLY WITH HALF ON THE LEFT AND HALF ON THE RIGHT SIDES OF THE SIGNAL GROUP.  
04 TO 24 IN EVEN NUMBER INCREMENTS. IF STYLE P, THE RANGE IS 06 TO 30.

STYLE

P = POWER ONLY-NO SIGNAL

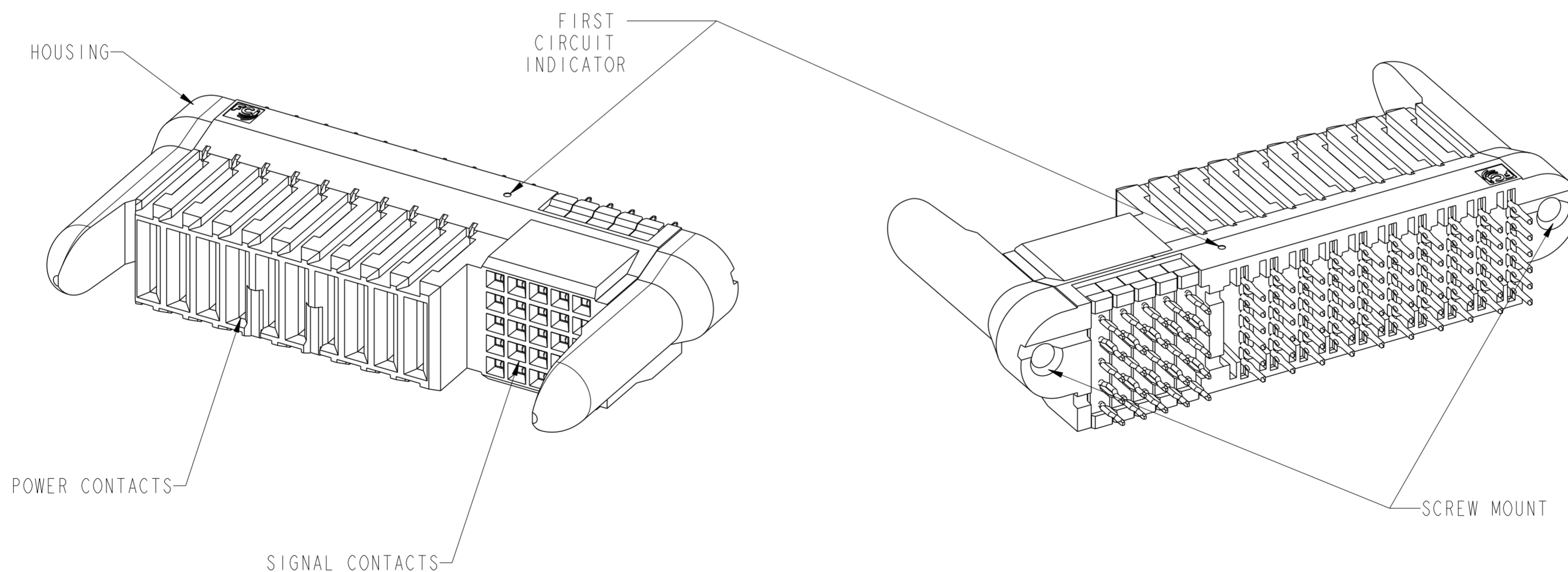
L = SIGNAL ON THE LEFT, POWER ON THE RIGHT

R = POWER ON THE LEFT, SIGNAL ON THE RIGHT - SEE SHEET 2

S = POWER ON THE LEFT, SIGNAL IN THE CENTER, POWER ON THE RIGHT

EXAMPLE:

10121382-R10253SLF IS A VERTICAL HOUSING ASSEMBLY WITH 5 COLUMNS (25 TOTAL) OF SIGNAL PINS ON THE RIGHT SIDE AND 10 POWER CONTACTS ON THE LEFT SIDE, WITH A 4.375 DISTANCE BETWEEN THE SIGNAL AND THE POWER CONTACTS AND WITH SCREW MOUNT ENDS.



spec ref	SEE NOTES	dr	Zhang Hong-Tu	2012/07/03	projection	MM	size	A2	scale	3:1
tolerance std	TOLERANCES UNLESS OTHERWISE SPECIFIED	eng	De-Ming Lu	2017/05/09			ecn no	ELX-DG-18076-1	rel level	Released
ISO 406		chr	Fancy Zhang	2017/05/23						
ISO 1101		appr	Pei-Ming Zheng	2017/05/26	product family	PwrLoPro				
surface	linear	0.X	±0.30		<b>Amphenol FCI</b>		<b>PWR LP RECEPTACLE ASSEMBLY</b>		dwg no 10121382	rev H
		0.XX	±0.20		VERTICAL, PASSIVE GUIDE					
	angular	0.XXX	±0.10							
ISO 1302		0°	±2°	cat. no.	-	Product - Customer Drw	sheet 1 of 3			

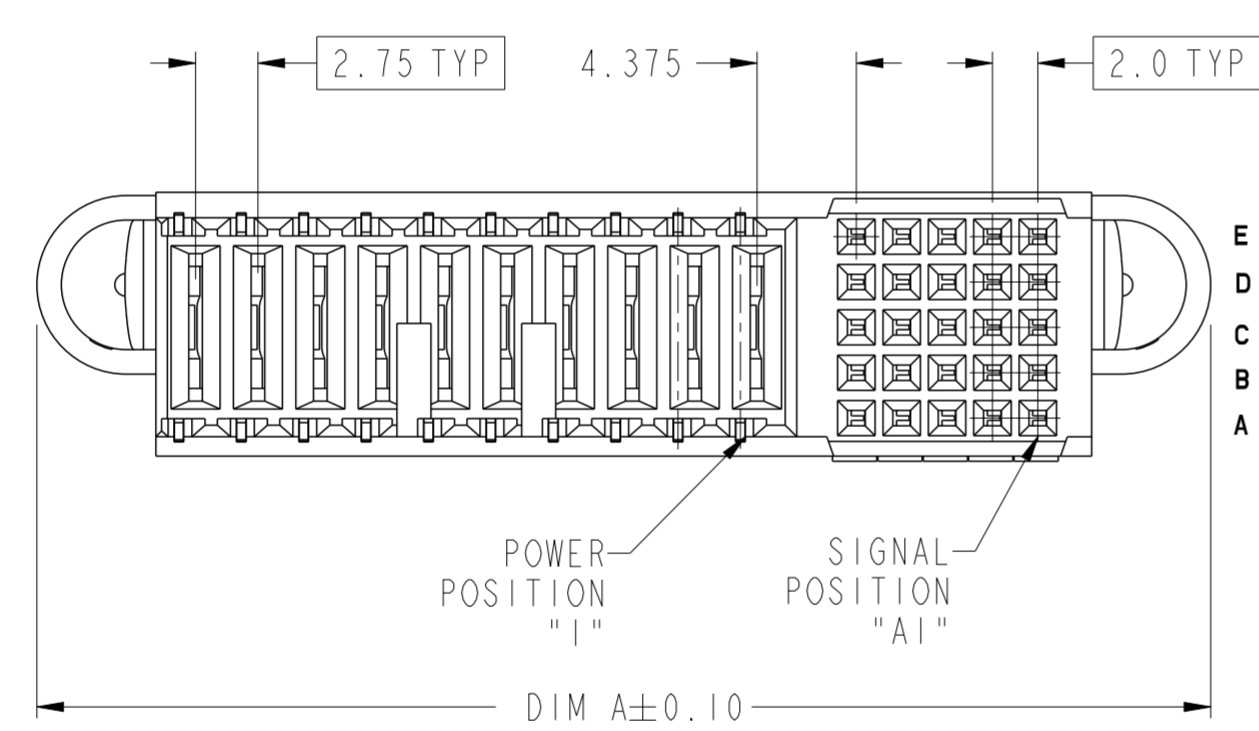
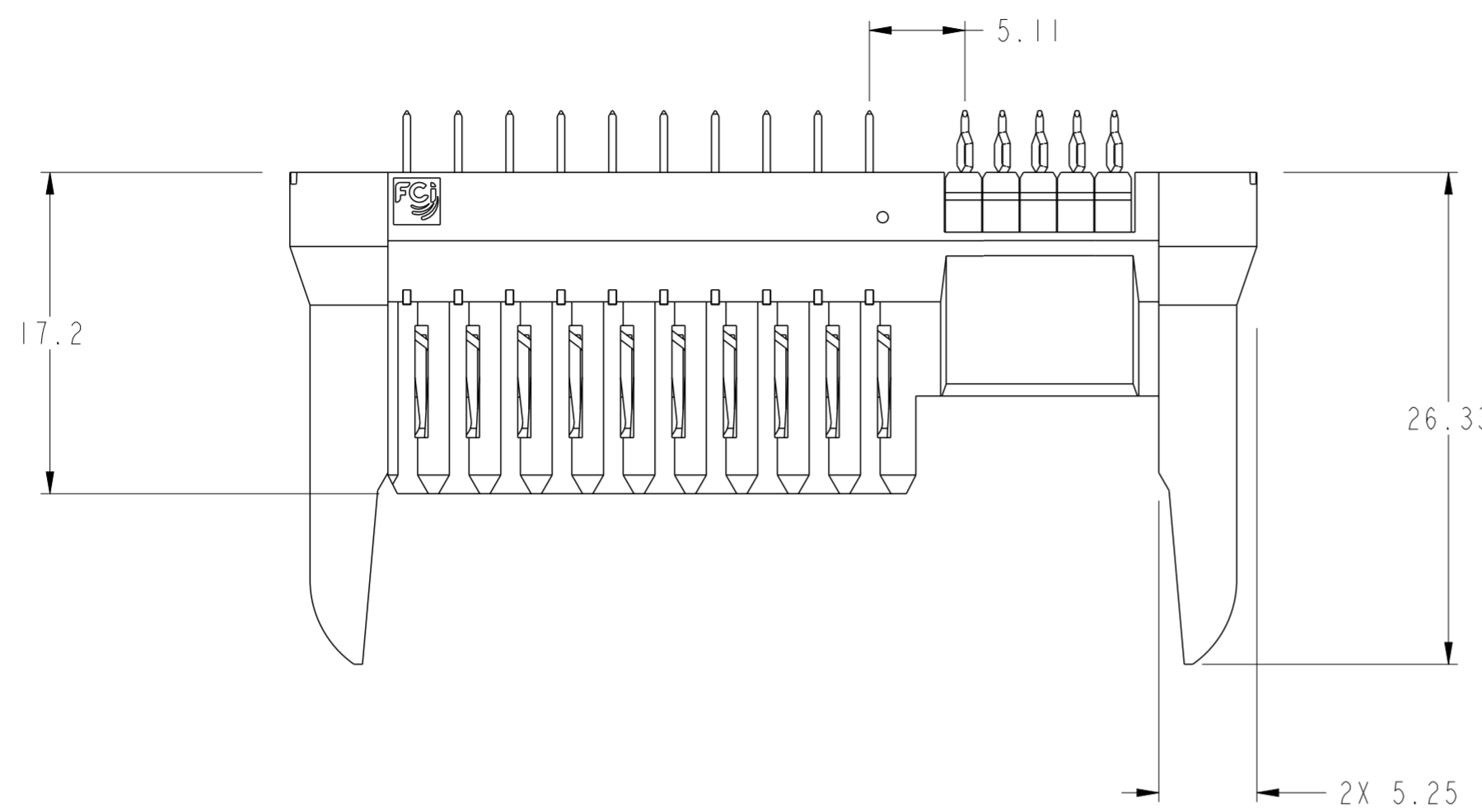
PDS: Rev :H

STATUS:Released

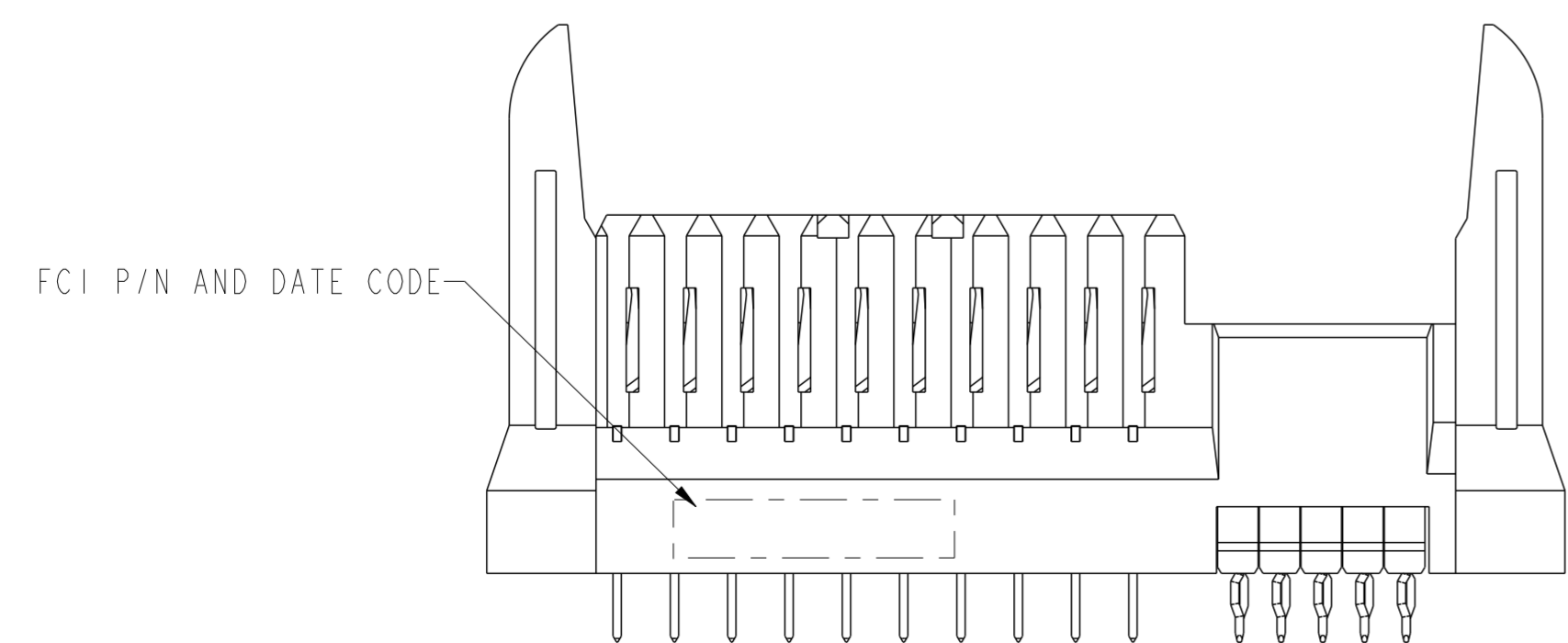
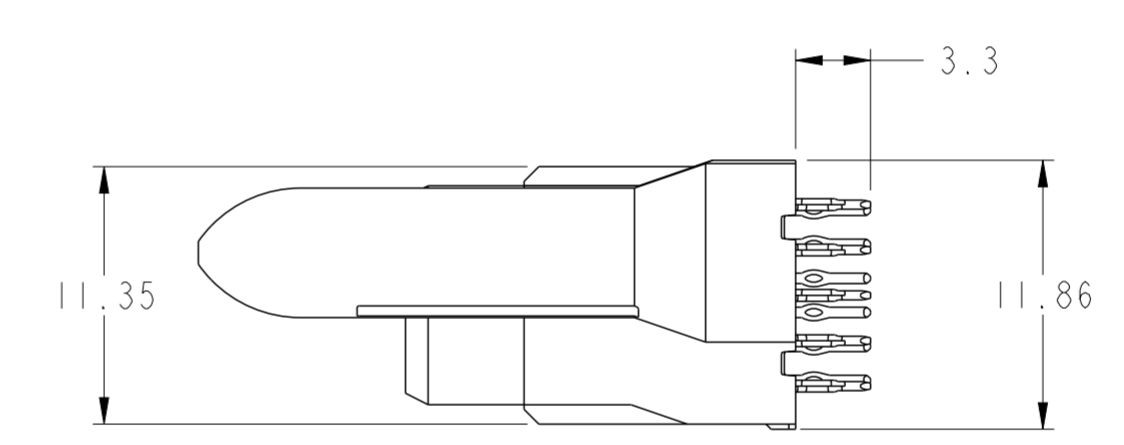
Printed: May 26, 2017

Amphenol FCI

© 2016 AFCI



PART NUMBER	CONFIGURATION	DIM"A"	DIM"B"	"C" SPACES	"D" SPACES	"E" QTY.	"F" QTY.
10121382-R10253SLF	10P + 25S	51.74	46.95	4	9	25	60
10121382-R24403SLF	24P + 40S	96.24	91.45	7	23	40	144
10121382-R18353SLF	18P + 35S	77.74	72.95	6	17	35	108
10121382-R08203SLF	8P + 20S	44.24	39.45	3	7	20	48
10121382-R02153SLF	2P + 15S	25.74	20.95	2	1	15	12
10121382-R20353SLF	20P + 35S	83.24	78.45	6	19	35	120
10121382-R02253SLF	2P + 25S	29.74	24.95	4	1	25	12

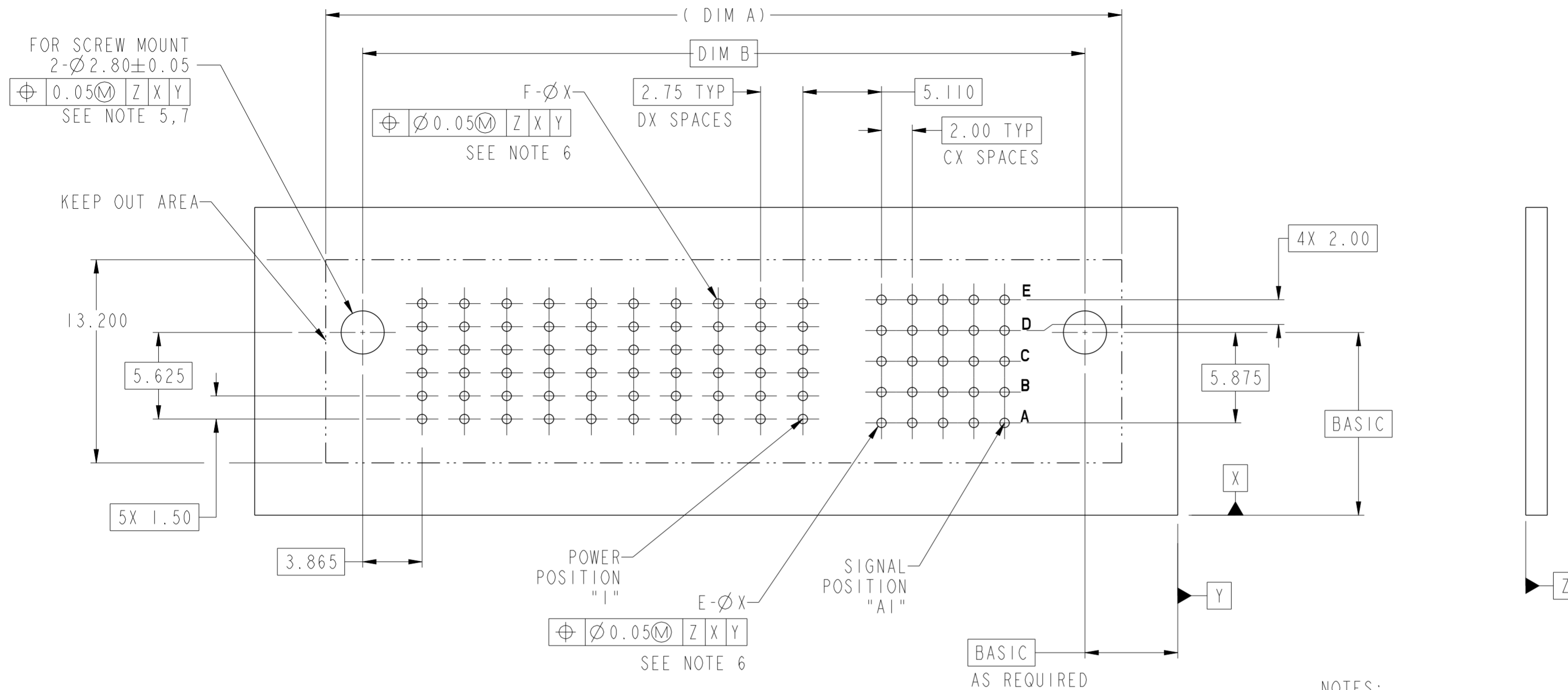


10121382-R1025SLF AS SHOWN

spec ref	SEE NOTES	dr	Zhang Hong-Tu	2012/07/03	projection	MM	size	A2	scale	3:1	
tolerance std	TOLERANCES UNLESS OTHERWISE SPECIFIED	eng	De-Ming Lu	2017/05/09			ecn no	ELX-DG-18076-1	rel level	Released	
ISO 406		chr	Fancy Zhang	2017/05/23			product family	PwrLoPro			
ISO 1101		appr	Pei-Ming Zheng	2017/05/26							
surface	linear	0.X	±0.30		<b>PWR LP RECEPTACLE ASSEMBLY</b> VERTICAL, PASSIVE GUIDE	cat. no. -	Product - Customer Drw	sheet 2 of 3	title PWR LP RECEPTACLE ASSEMBLY VERTICAL, PASSIVE GUIDE	dwg no 10121382	rev H
	angular	0°	±2°								
ISO 1302											

Amphenol FCI

© 2016 AFCI



**RECOMMENDED PRINTED CIRCUIT BOARD LAYOUT SEE NOTE 4**  
 (AS VIEWED FROM COMPONENT SIDE)  
 SCALE 4:1

NOTES:

- HOUSING MATERIAL: GF LCP, COLOR: BLACK, UL 94 V-0 RATED  
 SIGNAL CONTACT MATERIAL: PHOSPHOR BRONZE  
 SIGNAL PIN OVERMOLD MATERIAL: GF POLYESTER  
 POWER CONTACT MATERIAL: COPPER ALLOY
- PLATING ON SIGNAL CONTACTS: 1.27µm MIN Ni UNDERPLATING ALL OVER WITH 0.76µm MIN GXT IN CONTACT MATING AREA, AND 0.5µm MIN MATTE TIN ON TAIL AREA.  
  
 PLATING ON POWER CONTACTS: 1.27µm MIN Ni UNDERPLATING ALL OVER WITH 0.76µm MIN GXT IN CONTACT MATING AREA, AND 0.5µm MIN MATTE TIN ON TAIL AREA.
- LUBRICATION: LUBRICATE ON CONTACT AREA.
- RECOMMENDED PCB THICKNESS IS:  
 FOR PRESS FIT APPLICATION: 1.4mm MIN  
 FOR SOLDER APPLICATION: 1.40mm THROUGH 2.62mm.
- FOR SCREW MOUNT APPLICATIONS, A DELTA PT25 SELF TAPPING SCREW IS RECOMMENDED (SUPPLIED BY CUSTOMER).
- FOR PRESS FIT Ø0.61mm, FOR SOLDER Ø0.90mm.
- UNPLATED HOLES.
- PRODUCT SPECIFICATION GS-12-1064  
 APPLICATION SPECIFICATION: GS-20-0362

spec ref	SEE NOTES	dr	Zhang Hong-Tu	2012/07/03	projection	MM	size	A2	scale	3:1
tolerance std	TOLERANCES UNLESS OTHERWISE SPECIFIED	eng	De-Ming Lu	2017/05/09			ecn no	ELX-DG-18076-1	rel level	Released
ISO 406		chr	Fancy Zhang	2017/05/23						
ISO 1101		appr	Pei-Ming Zheng	2017/05/26						
surface	linear	0.X	±0.30	<b>Amphenol FCI</b>	product family PwrLoPro	PWR LP RECEPTACLE ASSEMBLY	10121382	rev H		
ISO 1302		0.XX	±0.20							
	angular	0°	±2°							
		cat. no.		Product - Customer Drw		sheet 3 of 3				