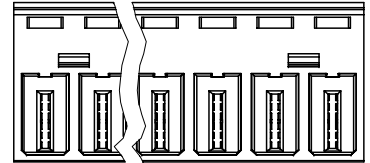
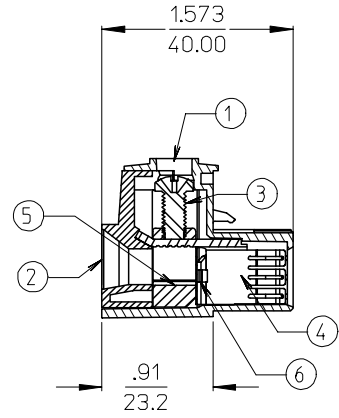
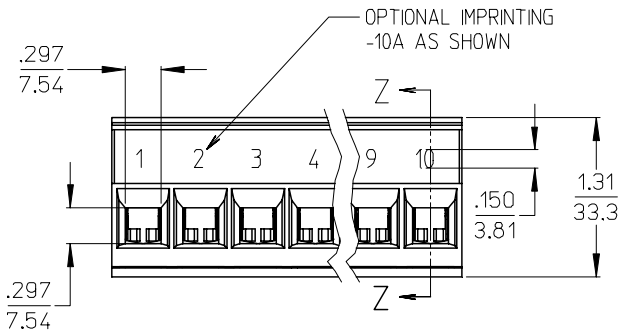
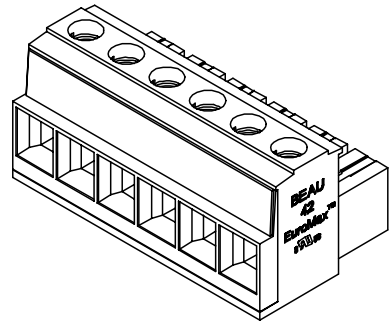
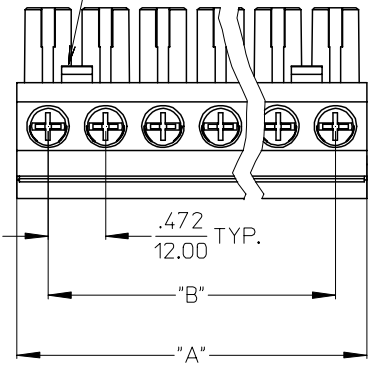


LENGTH TABLE				
NO. CIRCUITS	"B"	"A"	MATERIAL NO. (STANDARD)	MATERIAL NO. (-10A OPT.)
02	.472/12.00	.98/25.0	39421-0002	39421-1002
03	.945/24.00	1.46/37.0	39421-0003	39421-1003
04	1.417/36.00	1.93/49.0	39421-0004	39421-1004
05	1.890/48.00	2.40/61.0	39421-0005	39421-1005
06	2.362/60.00	2.87/73.0	39421-0006	39421-1006
07	2.835/72.00	3.35/85.0	39421-0007	39421-1007
08	3.307/84.00	3.82/97.0	39421-0008	39421-1008
09	3.780/96.00	4.29/109.0	39421-0009	39421-1009
10	4.252/108.00	4.76/121.0	39421-0010	39421-1010

2 AND 3 CIRCUIT PARTS HAVE ONE LATCH DETAIL POSITIONED ON THIS END.



- NOTES:
1. MATERIAL: SEE TABLE
 2. FINISHES: SEE TABLE
 3. PRODUCT SPECIFICATION: SEE PPS.42.002.DOC
 4. PACKAGING: NOT REQUIRED
 5. MATES WITH: 3942500XX HEADER
 6. XX EQUALS NUMBER OF CIRCUITS

6	XX	BACK PLATE	PHOS. BRONZE	TIN
5	XX	PRESSURE CLAMP	BRASS	NICKEL
4	XX	TERMINAL	COPPER ALLOY	TIN
3	XX	SCREW, M5 PAN HEAD, POZI-SLOT	S.S.	TIN
2	1	MOLDING, COVER	PBT	BLACK
1	1	MOLDING, BODY	PBT	BLACK
ITEM	QTY.	DESCRIPTION	MATERIAL	FINISH

REV	DESCRIPTION
J	CHNG SCREW TYPE
	EC NO: ETC2006-0217
	DRWN:ASVDEH 2006/02/06
	CHKD:RSTONE 2006/02/07
	APPR:RDEROSS 2006/02/09

QUALITY SYMBOLS	
	=0
	=0

GENERAL TOLERANCES (UNLESS SPECIFIED)	
4 PLACES	± --- ±.0015
3 PLACES	± 0.038 ±.005
2 PLACES	± 0.13 ±.01
1 PLACE	± 0.3 ±.1
ANGULAR ±1/2°	

DIMENSION STYLE		SCALE	DESIGN UNITS	THIRD ANGLE PROJECTION
IN/MM		4:1	INCH	
DRAWN BY	DATE	TITLE		
RKEMP	03/07/21	PLUG, 12MM, 85A, 600V		
CHECKED BY	DATE	#10-#3 AWG		
PWALTZ	03/08/05			
APPROVED BY	DATE	MOLEX INCORPORATED		
G.ROBERTSON	03/08/05	DOCUMENT NO.	SD-39421-001	
MATERIAL NO.		SEE CHART		SHEET NO.
				1 OF 1
SIZE	THIS DRAWING CONTAINS INFORMATION THAT IS PROPRIETARY TO MOLEX INCORPORATED AND SHOULD NOT BE USED WITHOUT WRITTEN PERMISSION			
B				