

# Data Sheet

## P255

### Stainless Steel Pressure Transducer



#### Main Features

|                       |   |
|-----------------------|---|
| Pressure Ranges       | 0 to 15 up to 0 to 1000 PSI                               |
| Electrical Connection | Packard Electric Metri-Pack 150 Series                    |
| Pressure Connection   | 1/4-18 NPT (external), 3/8-24 UNF-2A (male)* <sup>1</sup> |
| Housing Material      | 316 Stainless Steel                                       |
| Output Signal         | 0.5 - 4.5 VDC   |

1. for more options see how to order

#### Attributes

- Dry Media \*<sup>1</sup>
- Superior Long Term Stability
- Excellent Repeatability/Hysteresis
- Superior EMI/RFI Rejection
- Low Power Consumption
- Linear Output
- Temperature Compensated
- Over-Voltage, Reverse Polarity & Short Circuit Protection
- Ten Million Cycle Life Expectancy
- Outstanding Shock & Vibration Performance

1. For wet conductive media please contact us

#### Typical Applications

- Steam Sterilizers
- Gasoline & Diesel Engines
- Natural Gas & CNG Engines
- Agricultural Chemical Equipment
- Level Measurement
- Test Equipment
- Injection Molding
- Coolant Pressure
- Industrial Compressors

#### Description

The model P255 is based on Kavlico's fieldproven ceramic capacitive technology with the latest state-of-the-art ASIC. Featuring a 316SS housing, the P255 is designed for general use wherever a rugged and reliable pressure transducer is required. The P255 package has a built-in Metri-Pack 150, electrical connector and supports popular process connection threads. The P255 is offered with a variety of seal materials and is suitable for many diverse applications. Specifically intended for OEM applications, the P255 delivers a cost effective solution without compromising performance or reliability.

# Technical Specifications

## Pressure Ranges

|                |                                  |     |      |      |      |      |      |      |      |      |      |      |      |
|----------------|----------------------------------|-----|------|------|------|------|------|------|------|------|------|------|------|
| From 0 to ...  | PSIA,<br>PSIG,<br>PSIS<br>(gage) | 1 5 | 20   | 30   | 50   | 75   | 100  | 150  | 200  | 300  | 500  | 750  | 1000 |
| Proof pressure | PSI<br>(gage)                    | 75  | 100  | 150  | 250  | 375  | 300  | 450  | 600  | 900  | 1500 | 1500 | 2000 |
| Burst pressure | PSI<br>(gage)                    | 100 | 1000 | 1000 | 1000 | 1000 | 2000 | 2000 | 2000 | 2000 | 2000 | 2000 | 2000 |

## Physical

|                       |   |
|-----------------------|---|
| Operating Life Cycle  | min. 10 million full pressure cycles over the full range  |
| Vibration Resistance  | 10 G's peak to peak sinusoidal (10 to 2000 Hz)  |
| Shock Resistance      | 75 G's ½ sinewave   |
| Drop Test             | 1 meter drop on concrete as per SAE J1455 / DIN EN 60068-2-3-1  |
| Weight                | ≤ 100 grams (without mating connector)  |
| Ingress Protection    | IP67 - depending on electrical connector  |
| Operating Temperature | -40°C to 125°C (depending on seal material) *2  |
| Storage Temperature   | -40°C to + 125°C (depending on seal material) *2  |
| Media                 | All class II fluids and gases compatible with stainless steel 3/6 and the internal seal ring material |

2. for more details see How to Order

## Performance

|                           |   |
|---------------------------|---|
| Total error band *3       | +/-2% of span (-20 ≤ T ≤ 100° C) +/-3% of span (T < -20° C, T < 100° C) |
| Stability coefficient     | +/-0.5 % of full span over 1 year                                       |
| Temp. Coefficients - Zero | 0.2 % of span / 10 K within temperature range 0°C to + 80°C.2 %         |
| Temp. Coefficients - Span | 0.2 % of span / 10 K within temperature range 0°C to + 80°C.2 %         |

3. Including non-linearity, hysteresis, non-repeatability, zero point and full scale error (corresponds to error of measurement per IEC 61298-2). Adjusted in vertical mounting position with pressure port down

---

## Electrical

---

|                             |  |
|-----------------------------|--|
| Output Signal               | 0.5...4.5 VDC Ratiometric  |
| Operating Supply Signal     | 5 VDC $\pm$ 10%  |
| Power Consumption           | $\leq$ 25 mW   |
| Overvoltage Protection      | 16 VDC   |
| Short-circuit Proofness     | Yes *4   |
| Insulation Voltage          | 500 VDC  |
| Reverse Polarity Protection | Yes *5   |
| Load                        | $\geq$ 25 k $\Omega$   |
| Response Time               | 15 ms max. to 63% of full scale pressure with step change on input |

4. for min. 3 intervals at 5 minutes each

5. for min. 10 seconds on assigned pins

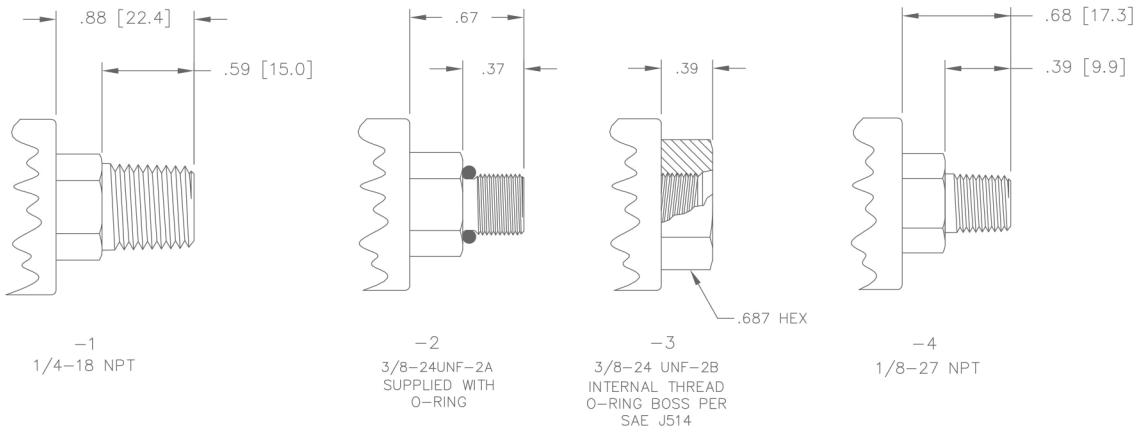
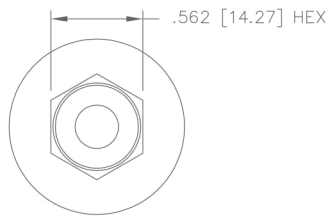
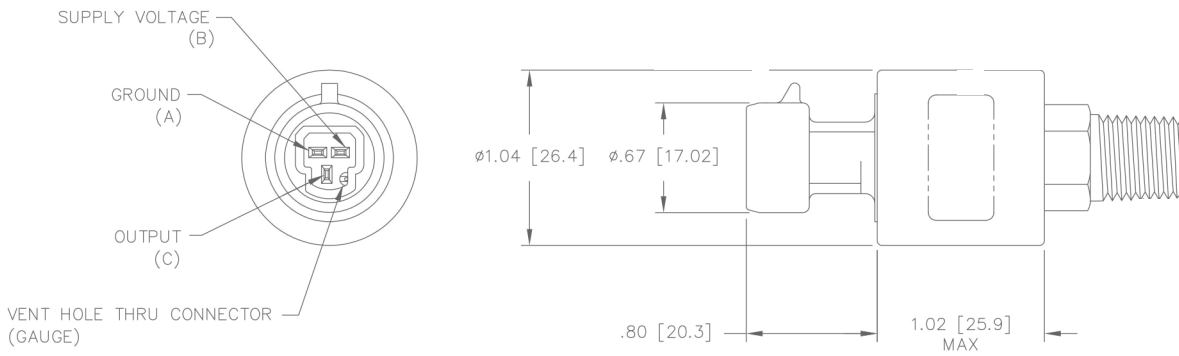
---

## Approvals & Certificates

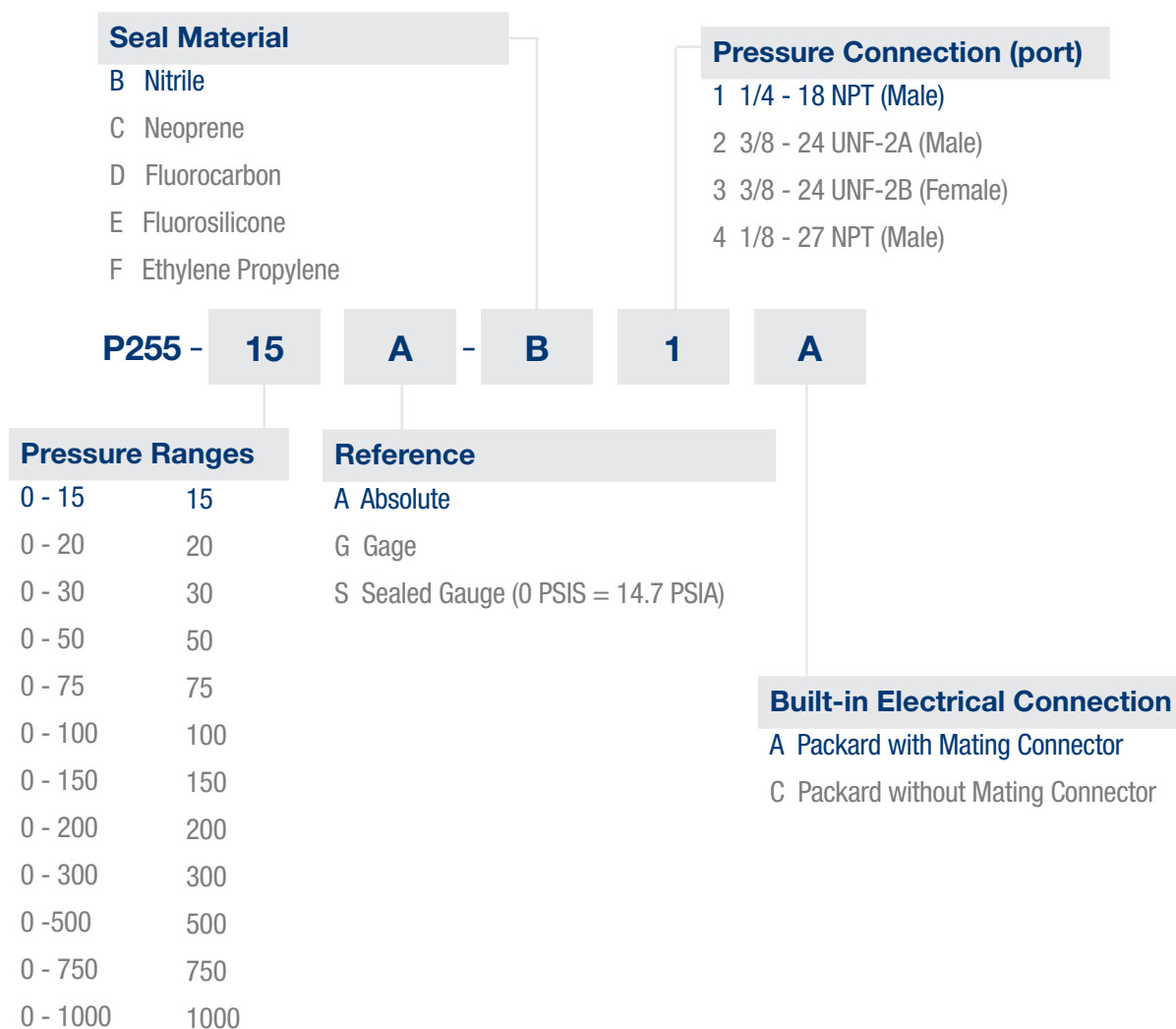
---

|      |                           |
|------|---------------------------|
| ROHS | 2011/65/EU ROHS Directive |
|------|---------------------------|

## Dimensions



## How to Order



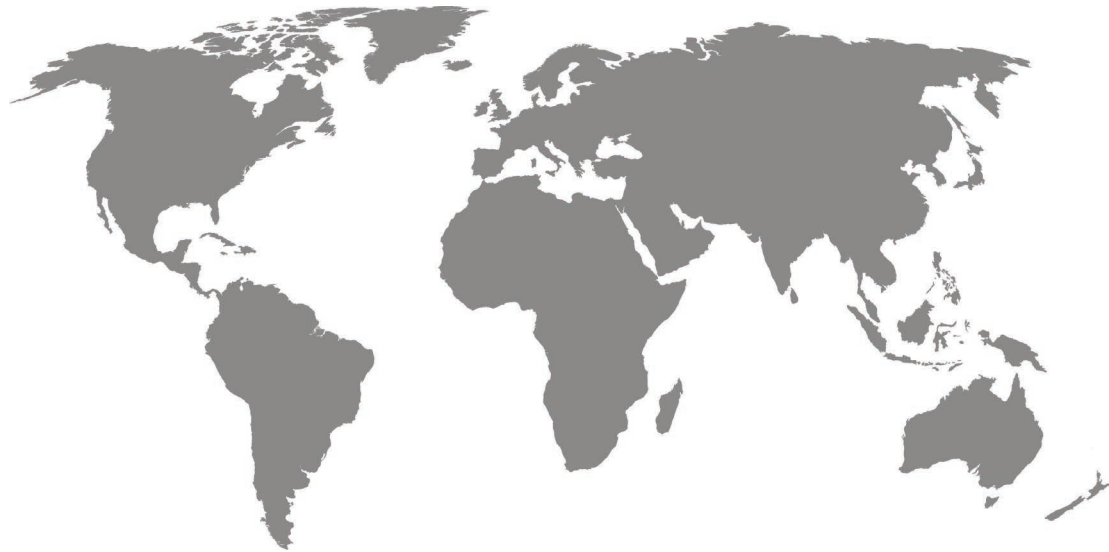
**Example:**  
P255-15A-B1A

**Description:**  
P255Sensor, 0 - 15 PSI, Nitrile Seal Material, 1/4 - 18 NPT Pressure Connection with Mating Connector



Before installation and operation, ensure that the appropriate pressure sensor has been selected in terms of pressure range, design and specific measuring conditions. Non-compliance can result in serious injury and/or damage to the equipment.

**Warning:** The product information contained in this catalogue is given purely as information and does not constitute a representation, warranty or any form of contractual commitment. Kavlico reserve the right to modify their products without notice. It is imperative that we should be consulted over any particular use or application of our products and it is the responsibility of the buyer to establish, particularly through all the appropriate tests, that the product is suitable for the use or application. Under no circumstances will our warranty apply, nor shall we be held responsible for any application (such as any modification, addition, deletion, use in conjunction with other electrical or electronic components, circuits or assemblies, or any other unsuitable material or substance) which has not been expressly agreed by us prior to the sale of our products.



## Sales Offices Worldwide

### Americas

Brazil  
Mexico  
USA

### Europe

England  
France  
Germany  
Italy  
Netherlands  
Spain  
Sweden  
Russia

### Asia Pacific

China  
India  
Japan  
South Korea

## Main Contact

Sensata Germany GmbH  
Potsdamer Strasse 14,  
32423 Minden  
Tel: +49 571 3859-0  
Fax: +49 571 3859-119  
[www.kavlico.com](http://www.kavlico.com)  
[www.sensata.com](http://www.sensata.com)

## Your local sales contact: