

A

B

C

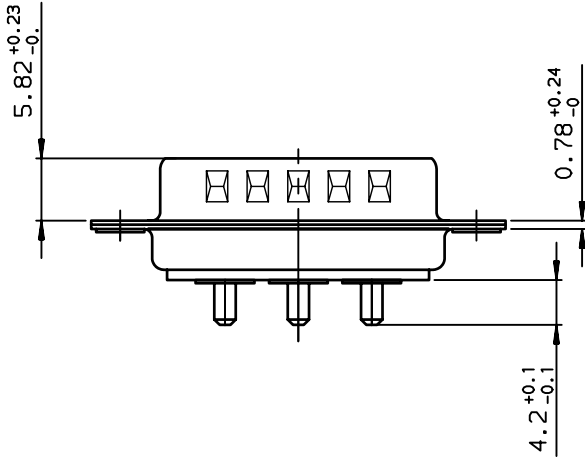
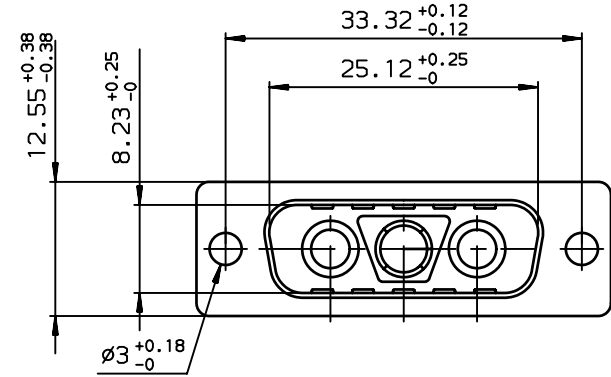
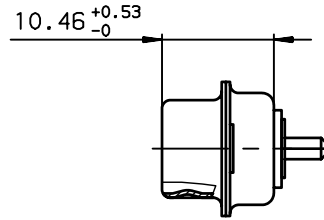
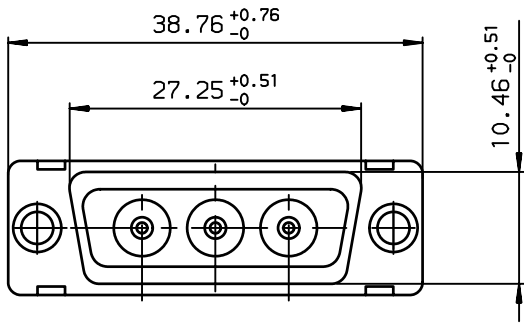
D

A

B

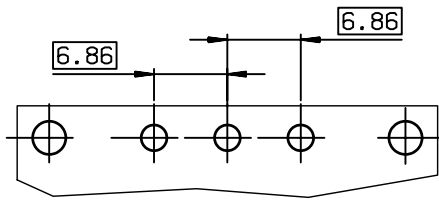
C

D



DA3V3P300A30LF  
 DA3V3P300A40LF  
 PART NUMBER

LAYOUT DIMENSIONS (after plating)  
 CONNECTOR SIDE VIEW



GENERAL CHARACTERISTICS AND ROHS INFORMATIONS:  
 SEE DRAWING C01-8639-0001

www.fciconnect.com		surface ISO 1302	tolerance std ISO 406 ISO 1101	projection mm	size A3	Scale 2
Dr		TOLERANCES UNLESS OTHERWISE SPECIFIED		European Views		
Eng	PESSON	2005/11/22	ANGULAR	0.X	±0.1	ECN LS06-0095
Chr	LEGARE	2005/11/22	LINEAR	0.XX	±0.1	
Appr	LEGARE	2005/11/22	0.XX' ±2'	0.XXX	±0.1	Spec ref -
Product family		D-SUB		-		

rev	ecn no	dr	date
A	LS05-0106	MPE	2005/11/22
B	LS06-0095	LGO	2006/06/17
-	-	-	-
-	-	-	-
-	-	-	-

**FCI** title **PIN CONNECTOR SUB D** with **POWERS CONTACTS** dwg no **C01-8639-2285** Rev. **B**

catalog no - CUSTOMER sheet 1 of 1



Copyright FCI.