

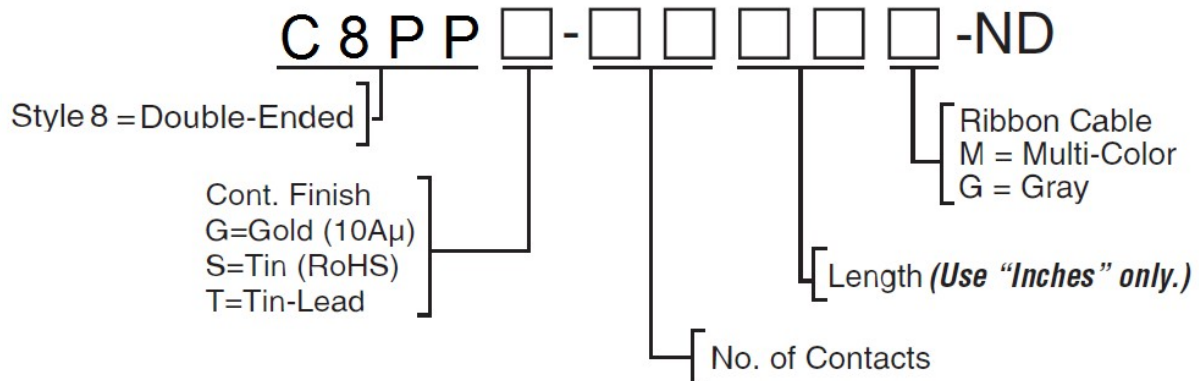
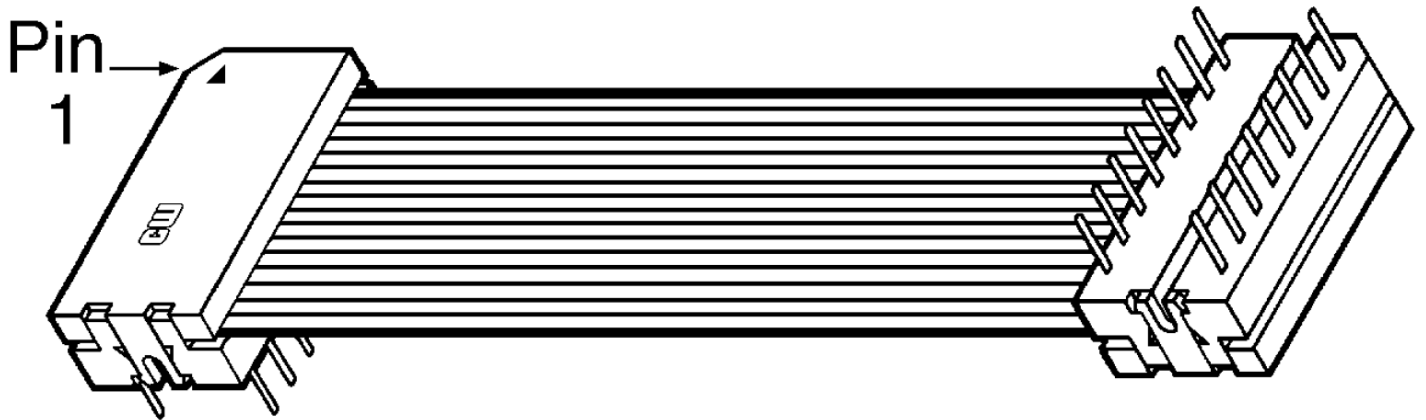


# DIP Cable Assemblies

## Double Ended Style 8

[DIP Connector without Strain Relief shown](#)

Pin #1 on connector is connected to 2nd conductor on cable



**Digi-Key® Custom Cable Assemblies Available  
Call Digi-Key**

[Also available in the following version:](#)

[DIP Connector with Strain Relief Strap](#)

C8RR--ND