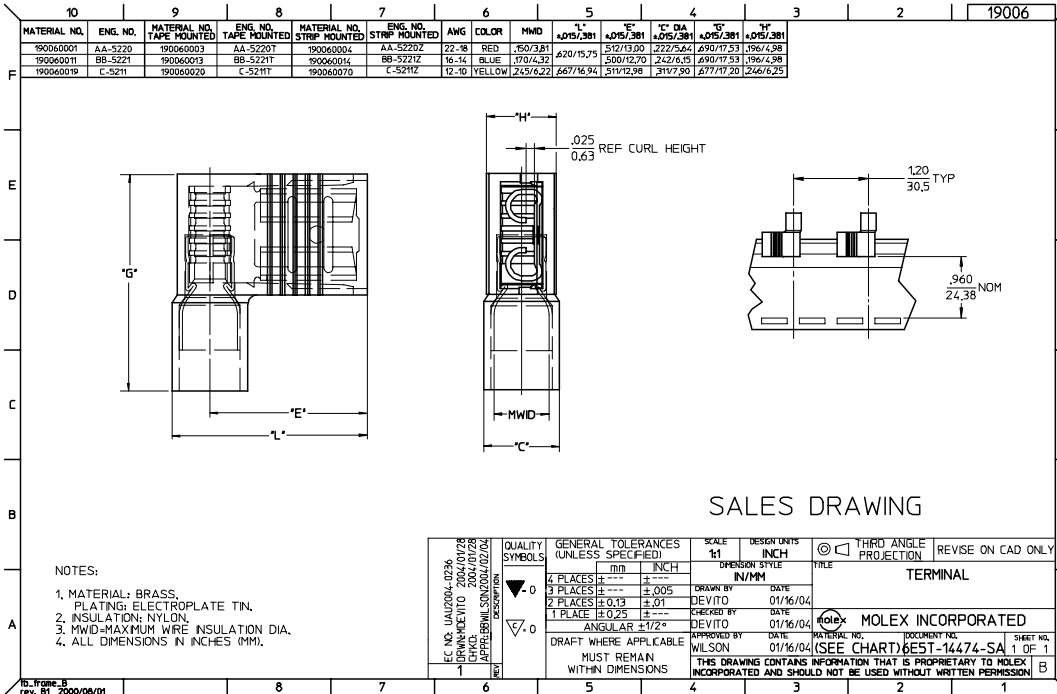


LTRS.		REVISIONS		
ORIGINATOR	CHECKER	ENGR APP	MATL APP	
-	RELEASED 6EST-14474-SA ARCHIVED DATE: AE00-E-11505652-025			
DEVITO	WILSON	PRICE		

FORD PART NUMBER	MOLEX PART NUMBER
6EST-14474-SA	19006-0004



NOTES:  
APPROVED FOR USE ONLY IN 'BLACK BOX' APPLICATIONS, WHICH ARE TO PASS SYSTEM LEVEL VALIDATION TESTING. CONNECTOR SDS EL-0173 NOT MET TERMINAL RETENTION FORCE AND TESTING SPECIFIC TO EVALUATE TERMINAL MUST BE PERFORMED AT SYSTEM-LEVEL.

SALES DRAWING

- NOTES:  
1. MATERIAL: BRASS.  
2. PLATING: ELECTROPLATE TIN.  
3. INSULATION: NYLON.  
4. MWD-MAXIMUM WIRE INSULATION DIA.  
5. ALL DIMENSIONS IN INCHES (MM).

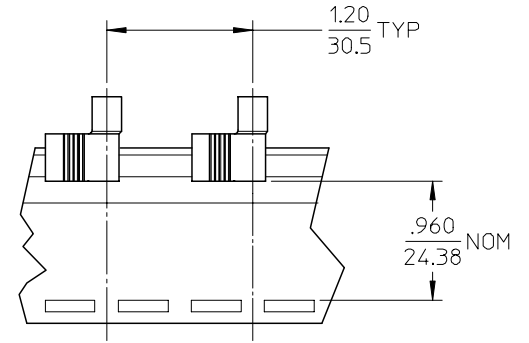
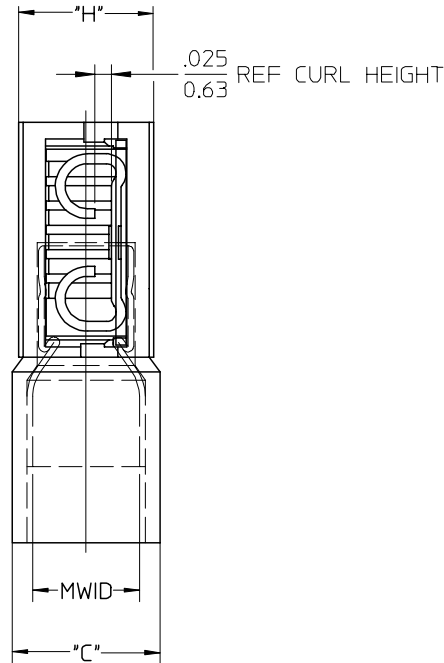
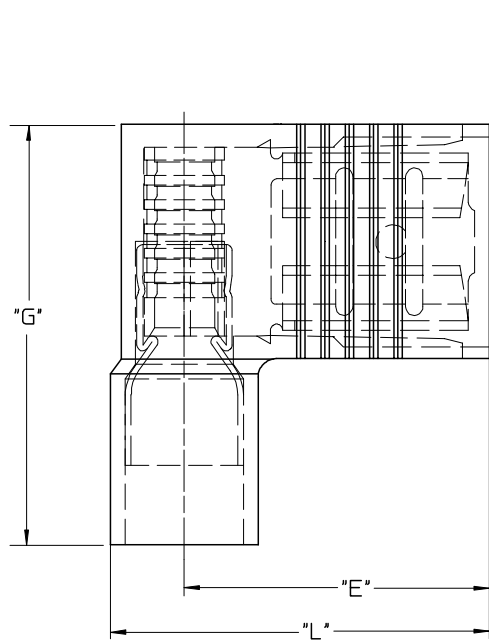
EC NO. UAI0284-0236 DRAWN BY: DEVITO 2004/01/28 CHECKED: WILSON 2004/01/28 APPROVED: WILSON 2004/02/04 DATE: 2004/01/28	QUALITY SYMBOLS 0 0	GENERAL TOLERANCES (UNLESS SPECIFIED) 4 PLACES ± .005 3 PLACES ± .005 2 PLACES ± 0.13 1 PLACE ± 0.25 ANGULAR ±1/2° DRAFT WHERE APPLICABLE MUST REMAIN WITHIN DIMENSIONS	SCALE: 1:1 DESIGN UNITS: INCH DIMENSION STYLE: IN/MM THRO ANGLE PROJECTION: TERMINAL REVISE ON CAD ONLY	DRAWN BY: DEVITO DATE: 01/16/04 CHECKED BY: WILSON DATE: 01/16/04 APPROVED BY: WILSON DATE: 01/16/04	MOLEX INCORPORATED DOCUMENT NO.: 6EST-14474-SA SHEET NO.: 1 OF 1	THIS DRAWING CONTAINS INFORMATION THAT IS PROPRIETARY TO MOLEX INCORPORATED AND SHOULD NOT BE USED WITHOUT WRITTEN PERMISSION.

REFERENCE ---			
PART MUST COMPLY WITH MATERIAL SPECIFICATION NSS-MS8P9999-A1 TO HELP SAFEGUARD HEALTH, SAFETY AND THE ENVIRONMENT.			
DRAFTED IN ACCORDANCE WITH FAD ENGINEERING DRAFTING STANDARD CURRENT AT INITIAL RELEASE		3RD ANGLE PROJ DIMENSIONS IN MILLIMETERS	
CAD TYPE	CAD LOC.	CAD FILE	IS MASTER
OPER. NO.	UNIT	DRAWING	6EST-14474-SA
DESIGN	DETAIL	TITLE	SHT 1 OF 1
DEVITO	---	TERMINAL	
CHECKED	SAFETY		
BBWILSON			
SCALE	DATE	DIVISION	PLANT
1:1	2004/01/28		

DR SIZE A/D

MATERIAL NO.	ENG. NO.	MATERIAL NO. TAPE MOUNTED	ENG. NO. TAPE MOUNTED	MATERIAL NO. STRIP MOUNTED	ENG. NO. STRIP MOUNTED	AWG	COLOR	MWID	"L" ±.015/.381	"E" ±.015/.381	"C" DIA ±.015/.381	"G" ±.015/.381	"H" ±.015/.381
190060001	AA-5220	190060003	AA-5220T	190060004	AA-5220Z	22-18	RED	.150/3.81	.620/15.75	.512/13.00	.222/5.64	.690/17.53	.196/4.98
190060011	BB-5221	190060013	BB-5221T	190060014	BB-5221Z	16-14	BLUE	.170/4.32	.500/12.70	.242/6.15	.690/17.53	.196/4.98	
190060019	C-5211	190060020	C-5211T	190060070	C-5211Z	12-10	YELLOW	.245/6.22	.667/16.94	.511/12.98	.311/7.90	.677/17.20	.246/6.25

19006



## SALES DRAWING

### NOTES:

1. MATERIAL: BRASS.  
PLATING: ELECTROPLATE TIN.
2. INSULATION: NYLON.
3. MWID=MAXIMUM WIRE INSULATION DIA.
4. ALL DIMENSIONS IN INCHES (MM).

EC NO: ETC2004-0126 DRWN:DMYRICK 2004/01/06 CHKD:SBEITZEL 2004/01/06 APPR:RDEROSS 2004/01/07	QUALITY SYMBOLS	GENERAL TOLERANCES (UNLESS SPECIFIED)		SCALE NTS	DESIGN UNITS INCH	THIRD ANGLE PROJECTION	REVISE ON CAD ONLY		
	DESCRIPTION ▼ = 0 ▽ = 0	4 PLACES	mm	INCH	DIMENSION STYLE IN/MM		TITLE		
		3 PLACES	± ---	± ---	DRAWN BY DMYRICK		DATE 03/12/26		
		2 PLACES	± 0.13	± .01	CHECKED BY SBEITZEL		DATE 03/12/26		
1 PLACE	± 0.25	± ---	ANGULAR ±1/2°		MOLEX INCORPORATED				
	DRAFT WHERE APPLICABLE		MUST REMAIN WITHIN DIMENSIONS		APPROVED BY RDEROSS	DATE 03/12/26	MATERIAL NO. (SEE CHART)	DOCUMENT NO. SD-19006-001	SHEET NO. 1 OF 1
THIS DRAWING CONTAINS INFORMATION THAT IS PROPRIETARY TO MOLEX INCORPORATED AND SHOULD NOT BE USED WITHOUT WRITTEN PERMISSION									