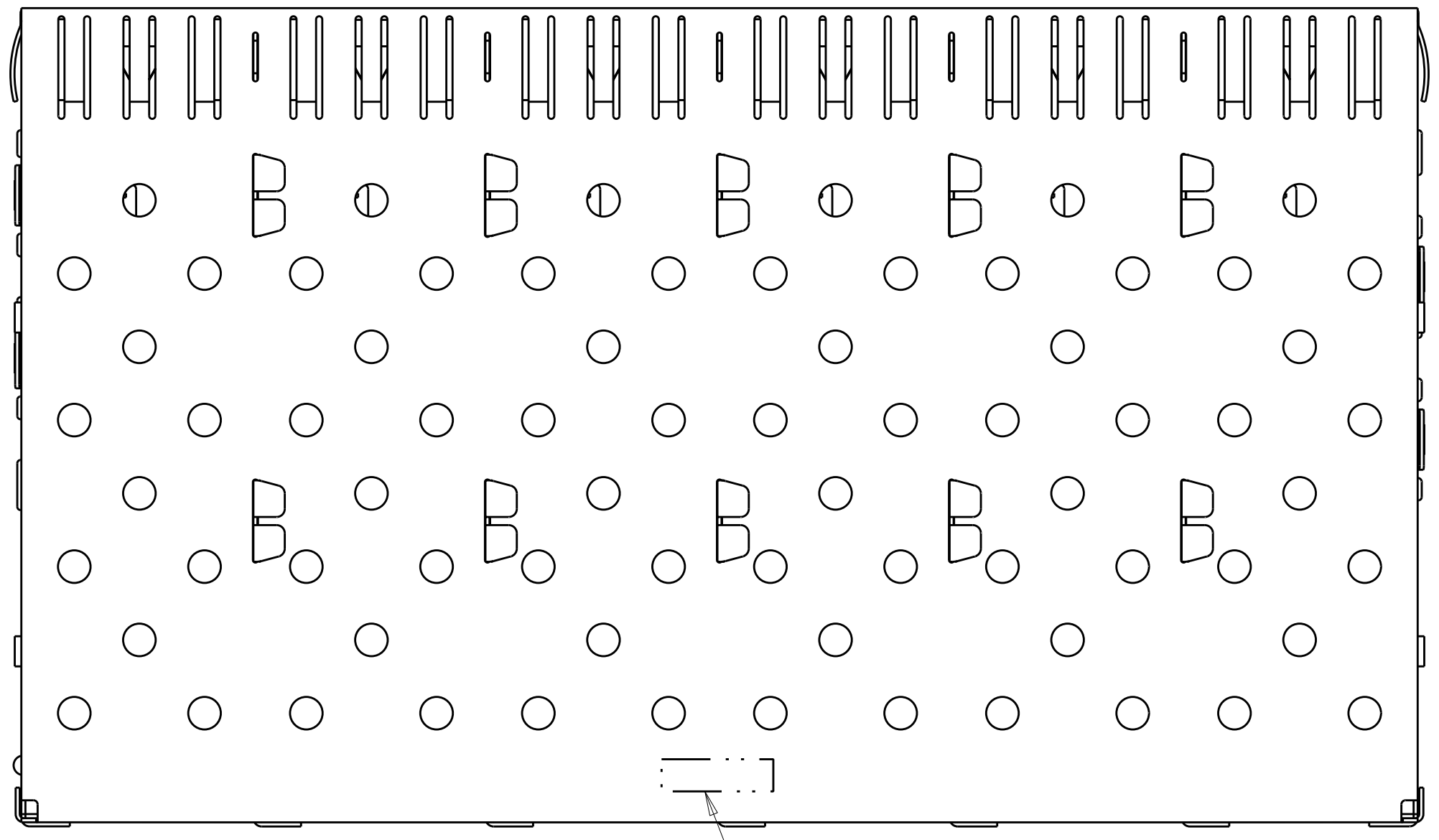
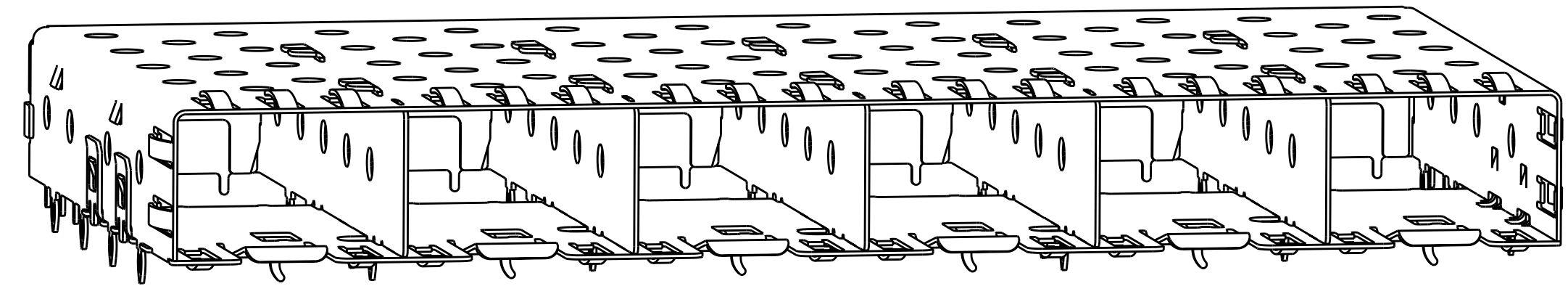


LOC	DIST	REV	DATE	BY	CHK	APP
GP	00	D1	13APR2011	RK	HMR	

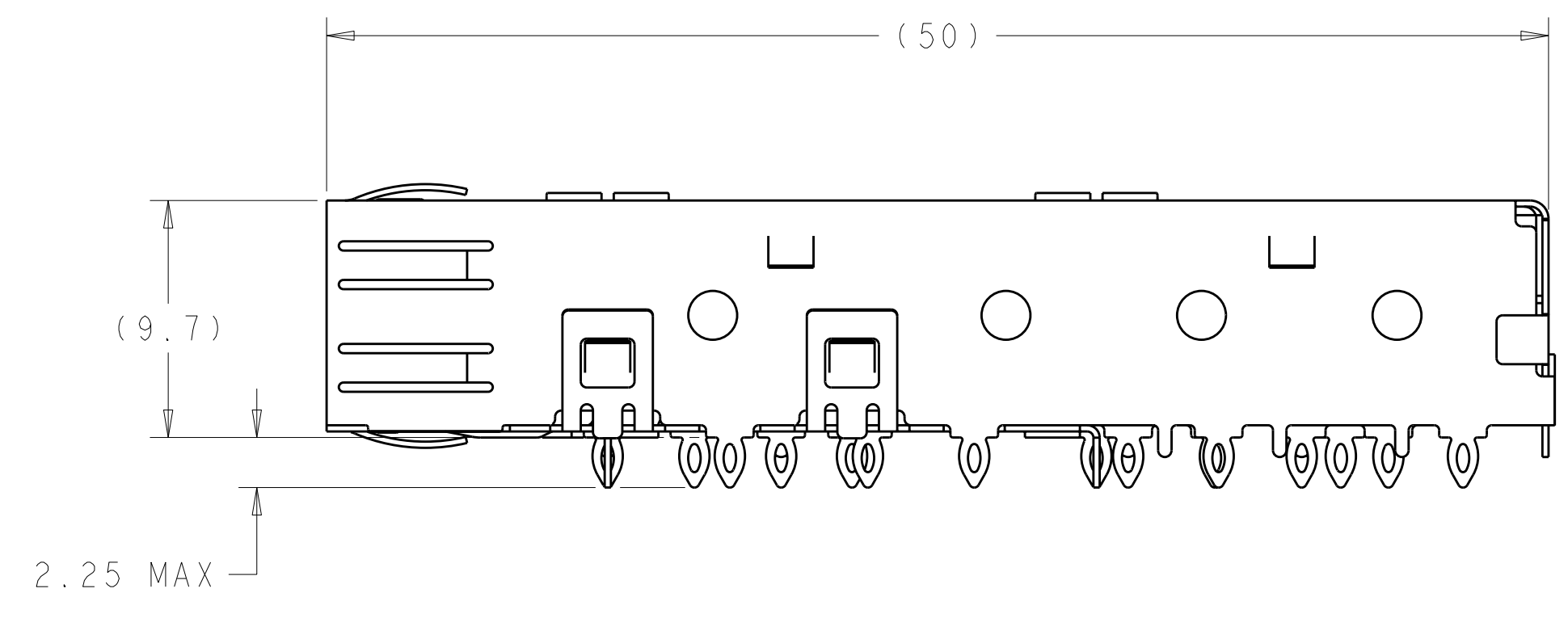
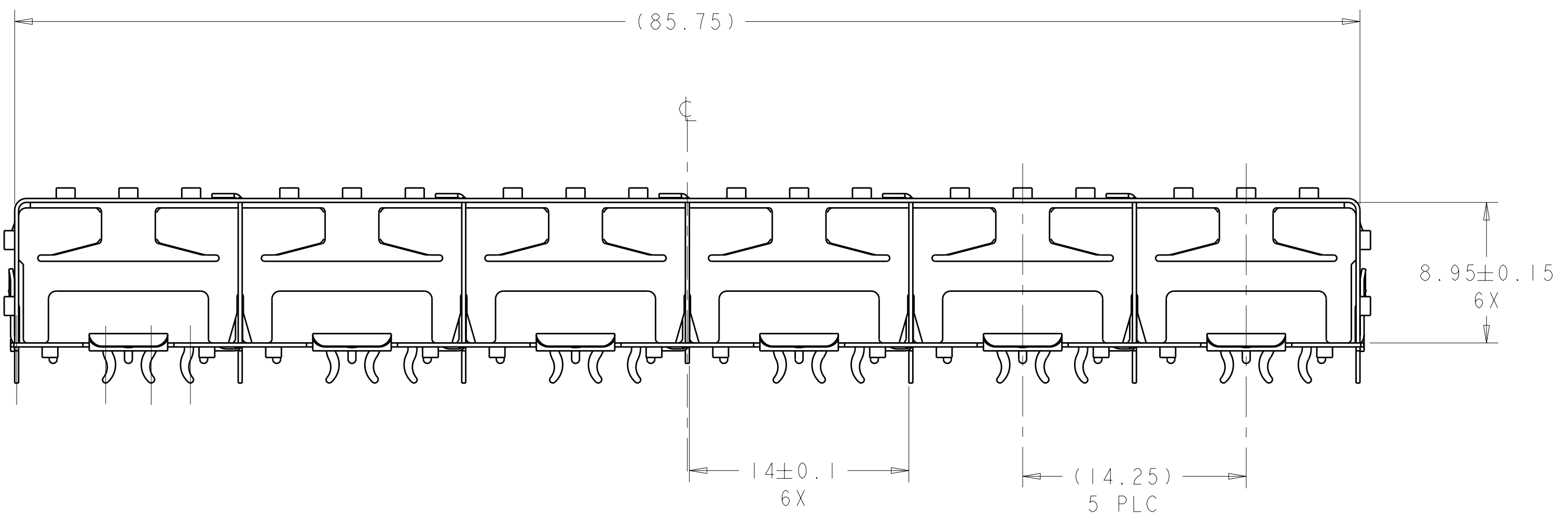


SCALE 3:1

- 1 MATERIAL: COPPER ALLOY.
- 2 TIN PLATING PER ASTM B 545, 1.25µm MINIMUM THICKNESS, ALL OVER NICKEL FLASH PER QQ-N-290. NON-PLATED EDGES ARE PERMISSIBLE.
- 3 DATUM AND BASIC DIMENSIONS ESTABLISHED BY CUSTOMER.
- 4 PADS AND VIAS CHASSIS GROUND.
- 5 REFERENCE APPLICATION SPEC 114-13120, HOLE A, FOR RECOMMENDED DRILL HOLE DIAMETER AND PLATING THICKNESSES.
- 6 COMPANY LOGO IN APPROXIMATE AREA SHOWN



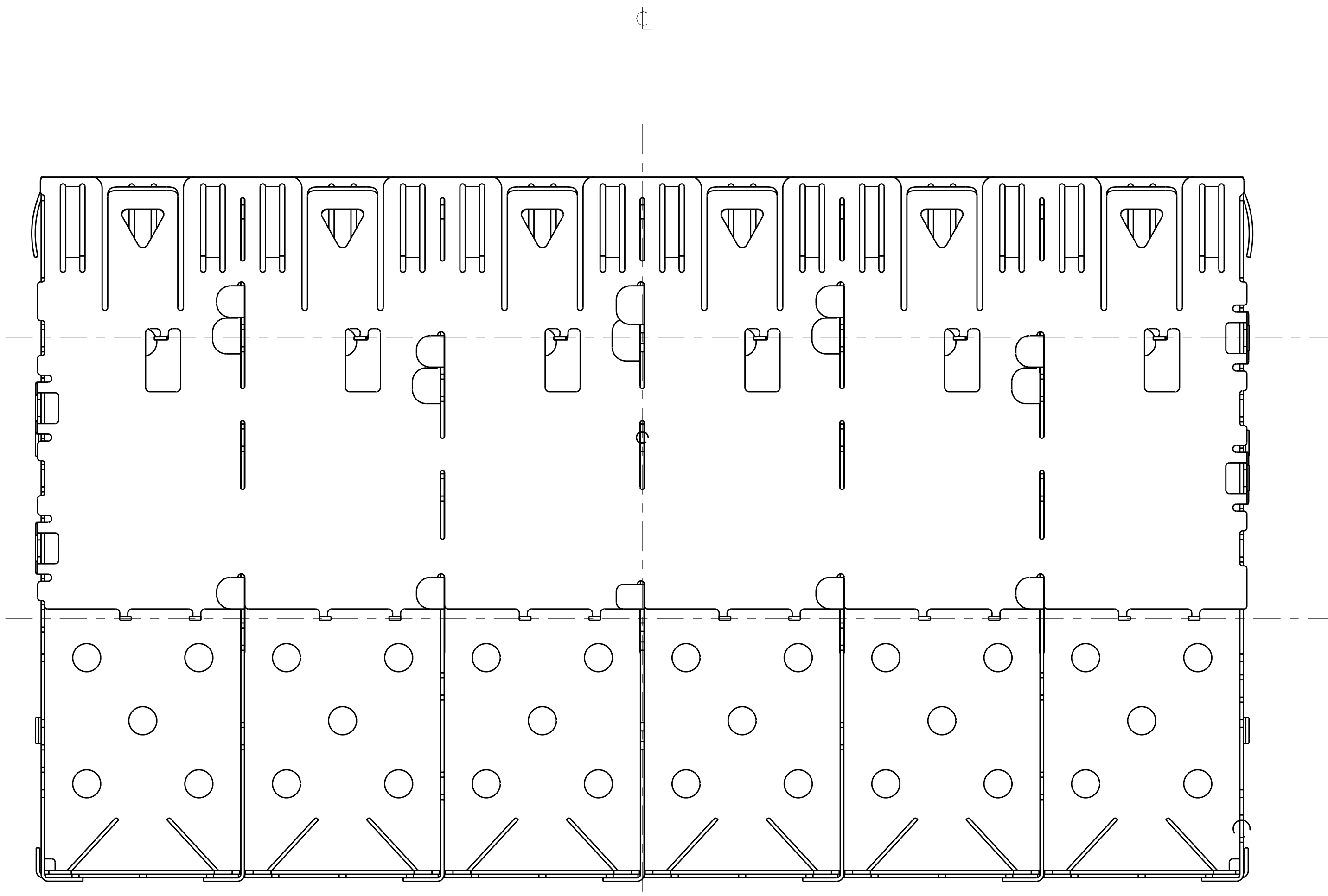
1761015-1
SCALE 3:1



1X6 CAGE ASSEMBLY	1761015-1
DESCRIPTION	PART NO

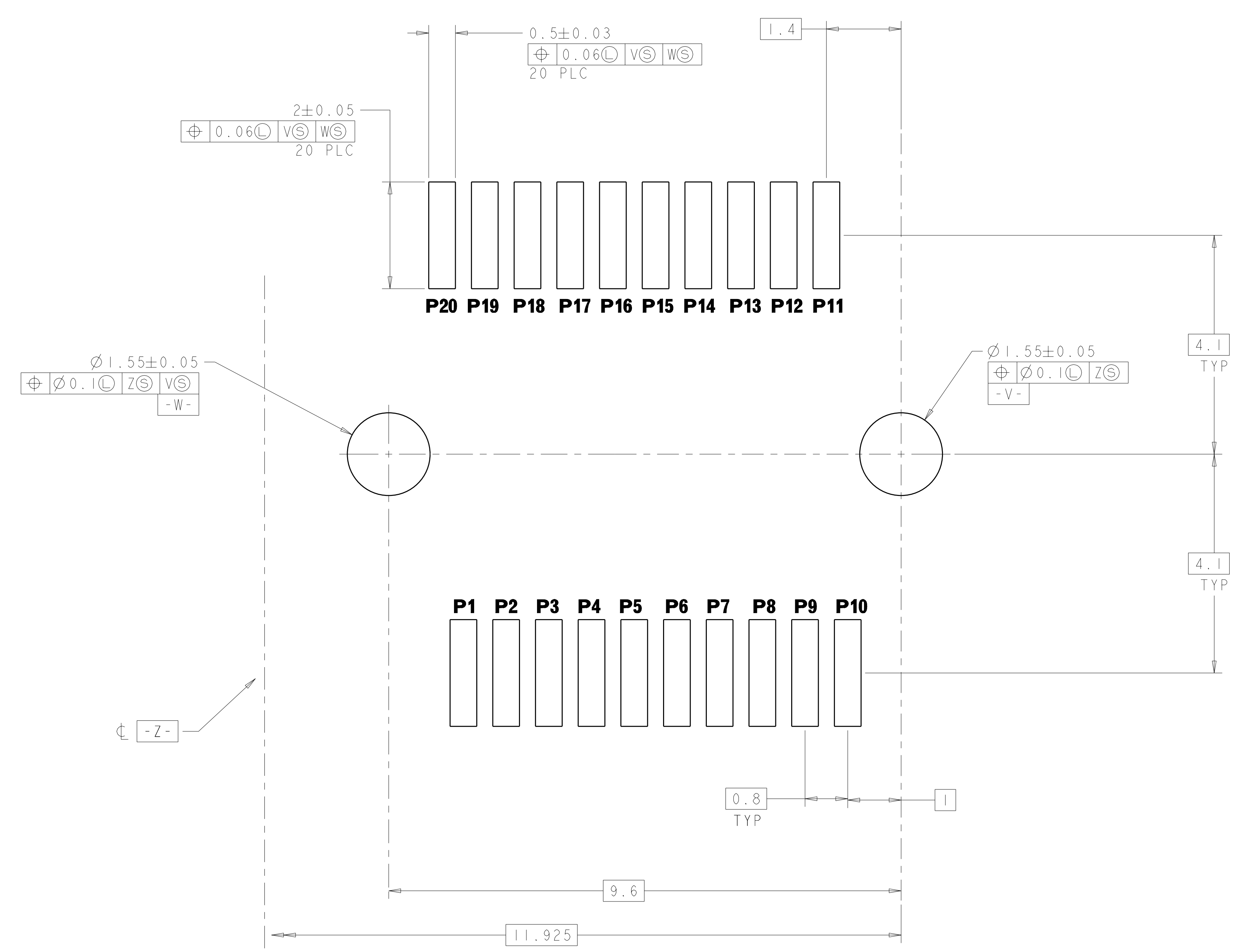
THIS DRAWING IS A CONTROLLED DOCUMENT.		DWN W. VAN SCOOC 11FEB2004		TE Connectivity	
DIMENSIONS: mm		CHK M. PHILLIPS 11FEB2004			
TOLERANCES UNLESS OTHERWISE SPECIFIED:		APVD M. PHILLIPS 11FEB2004		NAME	
0 PLC ±		PRODUCT SPEC		ASSEMBLY, CAGE, PRESS FIT, 1X6, SFP	
1 PLC ±0.10		108-1950		SIZE CAGE CODE DRAWING NO RESTRICTED TO	
2 PLC ±		APPLICATION SPEC		A100779C=1761015	
3 PLC ±		114-13120		SCALE 4:1 SHEET 1 OF 4 REV D1	
4 PLC ±		WEIGHT			
ANGLES ±		FINISH			
MATERIAL		CUSTOMER DRAWING			

LOC	DIST	REVISIONS					
GP	00	P	LTG	DESCRIPTION	DATE	DWN	APVD
		-	-	SEE SHEET 1	-	-	-



THIS DRAWING IS A CONTROLLED DOCUMENT.		DWN W. VAN SCOOC	11FEB2004	STE TE Connectivity
DIMENSIONS: mm		CHK M. PHILLIPS	11FEB2004	
TOLERANCES UNLESS OTHERWISE SPECIFIED:		APVD M. PHILLIPS	11FEB2004	NAME
0 PLC ±		PRODUCT SPEC		ASSEMBLY, CAGE, PRESS FIT, 1X6, SFP
1 PLC ±0.10		108-1950		
2 PLC ±		APPLICATION SPEC		RESTRICTED TO
3 PLC ±		114-13120		SIZE CAGE CODE DRAWING NO
4 PLC ±		WEIGHT		A100779C=1761015
ANGLES ±		CUSTOMER DRAWING		SCALE 4:1 SHEET 2 OF 4 REV D1
FINISH				

LOC	DIST	REVISIONS			
GP	00	REV	DATE	BY	APPD
		1	SEE SHEET 1		



DETAIL U
SCALE 20:1

THIS DRAWING IS A CONTROLLED DOCUMENT.		DWN: W. VAN SCOOC CHK: M. PHILLIPS APVD: M. PHILLIPS	DATE: 11FEB2004 NAME: M. PHILLIPS	TE Connectivity
DIMENSIONS: mm	TOLERANCES UNLESS OTHERWISE SPECIFIED: 9 PLC ± 1 PLC ±0.10 2 PLC ± 3 PLC ± 4 PLC ± ANGLES ±2°	PRODUCT SPEC: 108-1950 APPLICATION SPEC: 114-13120	SIZE: A100779 CAGE CODE: C=1761015	
MATERIAL:	FINISH:	WEIGHT:	CUSTOMER DRAWING	SCALE: 4:1 SHEET: 4 OF 4 REV: D1