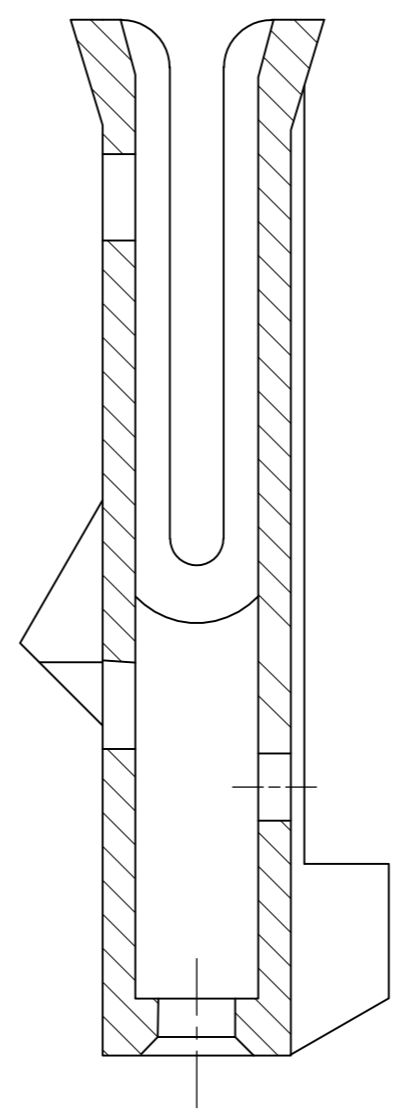
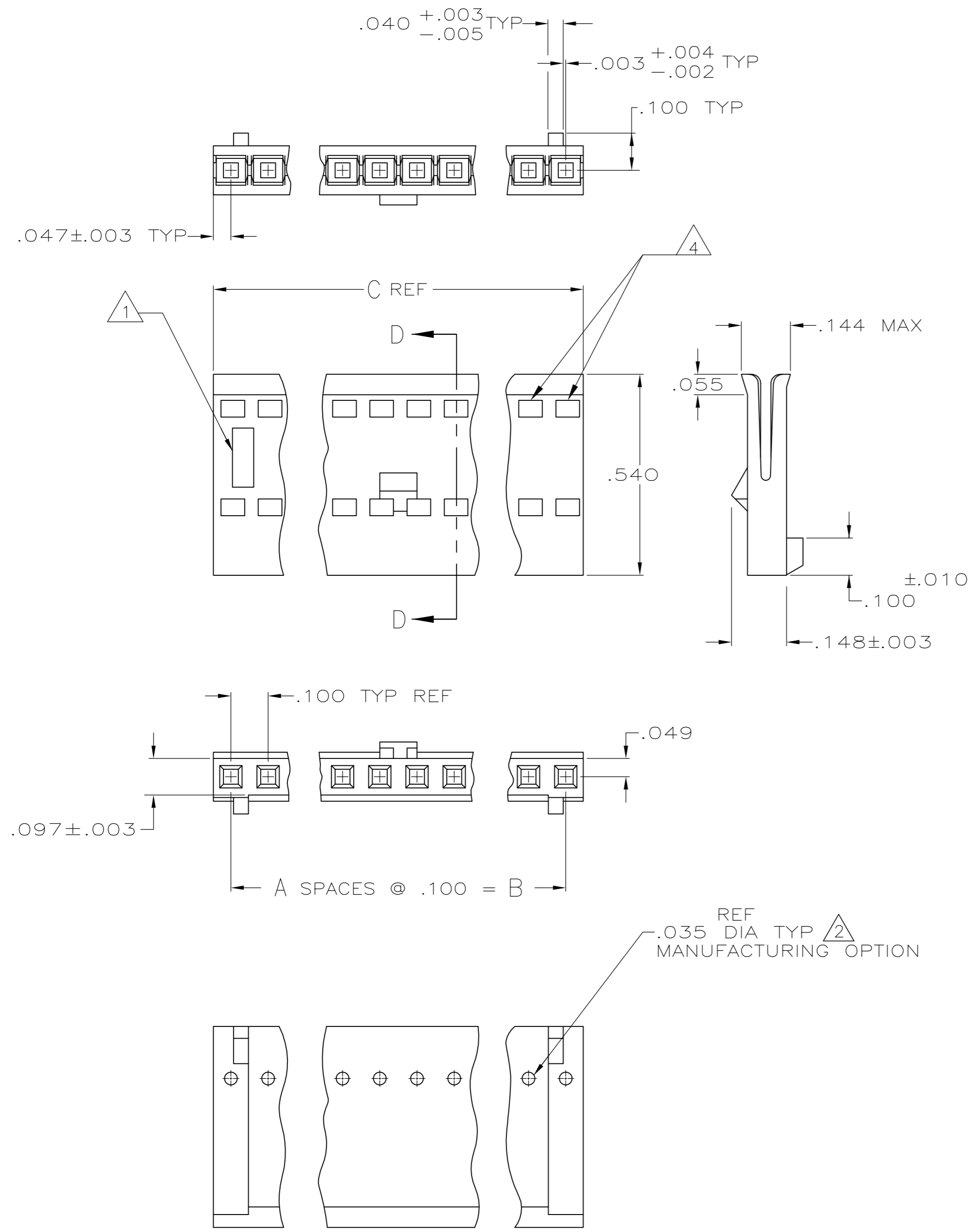


THIS DRAWING IS UNPUBLISHED. RELEASED FOR PUBLICATION
 © COPYRIGHT - By - ALL RIGHTS RESERVED.

| LOC | DIST | REVISIONS | | | | | |
|-----|------|-----------|-----|---------------------------|-----------|-----|------|
| GP | 00 | P | LTR | DESCRIPTION | DATE | DWN | APVD |
| | | S | | REVISED PER ECO-11-017188 | 06DEC2011 | CJV | CWR |



- 1 AMP TRADEMARK AND MOLD CAVITY IDENTIFICATION LOCATED AT EITHER END OF THE HOUSING IN APPROXIMATE AREA SHOWN.
- 2 THIS HOLE IS FOR MOLDING PURPOSES ONLY AND MAY BE FLASHED OVER.
- 3 OBSOLETE PARTS: OBSOLETE CIS STREAMLINING PER D.RENAUD/D.SINISI.
- 4 WINDOWS MAY OR MAY NOT BE PRESENT ON THIS END OF THE HOUSING.

| | | | | | |
|------------|-------|-------|----|-------------|------------|
| OBSOLETE | 2.494 | 2.400 | 24 | 25 | 2-487769-3 |
| | 2.394 | 2.300 | 23 | 24 | 2-487769-2 |
| OBSOLETE | 2.294 | 2.200 | 22 | 23 | 2-487769-1 |
| | 2.194 | 2.100 | 21 | 22 | 2-487769-0 |
| OBSOLETE | 2.094 | 2.000 | 20 | 21 | 1-487769-9 |
| | 1.994 | 1.900 | 19 | 20 | 1-487769-8 |
| 3 OBSOLETE | 1.894 | 1.800 | 18 | 19 | 1-487769-7 |
| OBSOLETE | 1.794 | 1.700 | 17 | 18 | 1-487769-6 |
| OBSOLETE | 1.694 | 1.600 | 16 | 17 | 1-487769-5 |
| | 1.594 | 1.500 | 15 | 16 | 1-487769-4 |
| | 1.494 | 1.400 | 14 | 15 | 1-487769-3 |
| | 1.394 | 1.300 | 13 | 14 | 1-487769-2 |
| | 1.294 | 1.200 | 12 | 13 | 1-487769-1 |
| | 1.194 | 1.100 | 11 | 12 | 1-487769-0 |
| | 1.094 | 1.000 | 10 | 11 | 487769-9 |
| | .994 | .900 | 9 | 10 | 487769-8 |
| | .894 | .800 | 8 | 9 | 487769-7 |
| | .794 | .700 | 7 | 8 | 487769-6 |
| | .694 | .600 | 6 | 7 | 487769-5 |
| | .594 | .500 | 5 | 6 | 487769-4 |
| | .494 | .400 | 4 | 5 | 487769-3 |
| | .394 | .300 | 3 | 4 | 487769-2 |
| | .294 | .200 | 2 | 3 | 487769-1 |
| | C | B | A | NO OF POSNS | PART NO |

THIS DRAWING IS A CONTROLLED DOCUMENT. DWN D. HUFFMAN 11-17-86
 CHK D.R. WORTHINGTON 2-16-87
 APVD - NAME
 PRODUCT SPEC 108-9024
 APPLICATION SPEC 114-16015
 MATERIAL THERMOPLASTIC, FINISH -
 TOLERANCES UNLESS OTHERWISE SPECIFIED:
 0 PLC ± -
 1 PLC ± -
 2 PLC ± -
 3 PLC ± .005
 4 PLC ± -
 ANGLES ± -
 DTE TE Connectivity
 HOUSING, RECEPTACLE, DETENT, POLARIZED, FFC
 SIZE A2 CAGE CODE 00779 DRAWING NO C=487769 RESTRICTED TO -
 WEIGHT - SCALE 4:1 SHEET 1 of 1 REV S
 CUSTOMER DRAWING