



Features

- 2.54 mm pitch & height
 - 2 to 6 precious metal contacts
 - End-to-end stackable
 - Twin hot contacts (symmetrical pad layout)
 - Pick & place compatible
 - High cycle life
- RoHS compliant* - see [processing information](#) for RoHS compliant surface mount components
 - Halogen free**

70AA/Female - Modular Contact

Materials & Finishes

Insulator..... Glass reinforced thermoplastic, UL 94V-0 rated, black
 Contact..... Copper alloy
 Finish
 Underplating..... 30 μ" min. Ni
 Contact Area..... 30 μ" min. Au over Ni

Operating Characteristics

Electrical
 Current Rating..... 3 A/contact
 Voltage Rating..... 60 V
 Contact Resistance..... 30 mohms max.
 Dielectric Voltage..... AC 500 V
 Insulating Resistance.. 1000 Mohms min.
 Operating Temperature
 -55 °C to 125 °C

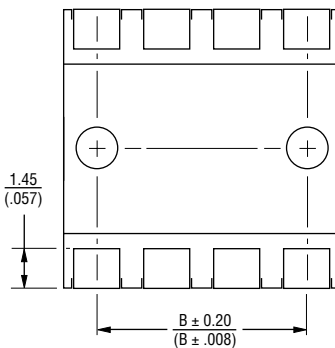
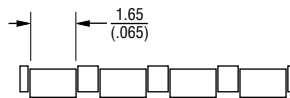
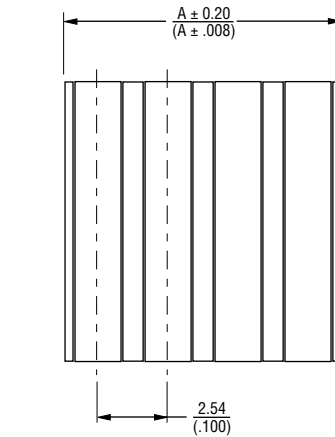
Mechanical
 Durability..... 10,000 cycles min.

How to Order

70AA J - 4 - F 0 G

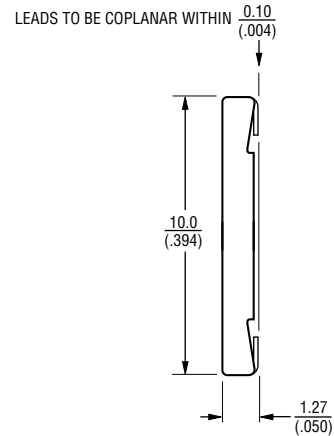
Model _____
 Terminal Style _____
 J = SMT
 Number of Contacts (N) _____
 2 through 6
 Gender _____
 F = Female
 Options _____
 0 = Standard
 1 = Locating Pins
 Packaging Option (MSL-1) _____
 _ = Tube (240/N pcs. or 240 contacts per tube)
 G = Embossed Tape (750 pcs. per reel)

Product Dimensions

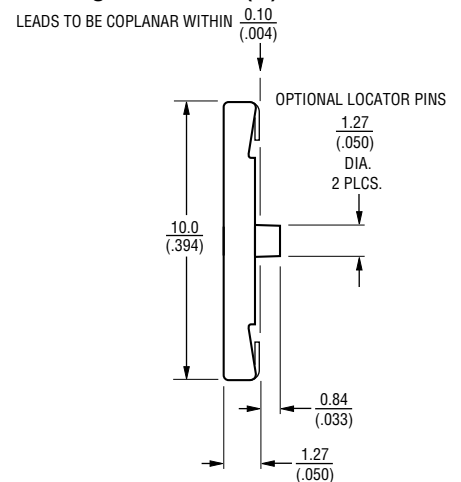


Number of Contacts	Dimension A	Dimension B
2	$\frac{4.98}{(.196)}$	$\frac{2.54}{(.100)}$
3	$\frac{7.52}{(.296)}$	$\frac{5.08}{(.200)}$
4	$\frac{10.06}{(.396)}$	$\frac{7.62}{(.300)}$
5	$\frac{12.60}{(.496)}$	$\frac{10.16}{(.400)}$
6	$\frac{15.14}{(.596)}$	$\frac{12.70}{(.500)}$

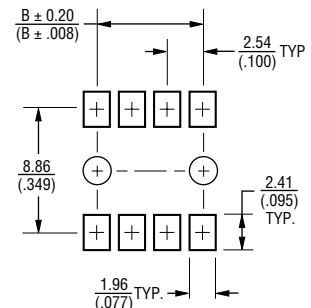
Standard Version (-0)



Locating Pins Version (-1)



Recommended PWB Layout



TOLERANCES: $\frac{\pm 0.3}{(\pm 0.12)}$ UNLESS OTHERWISE NOTED

DIMENSIONS: $\frac{MM}{(INCHES)}$

* RoHS Directive 2002/95/EC Jan. 27, 2003 including annex and RoHS Recast 2011/65/EU June 8, 2011.

** Bourns considers a product to be "halogen free" if (a) the Bromine (Br) content is 900 ppm or less; (b) the Chlorine (Cl) content is 900 ppm or less; and (c) the total Bromine (Br) and Chlorine (Cl) content is 1500 ppm or less.

Specifications are subject to change without notice.

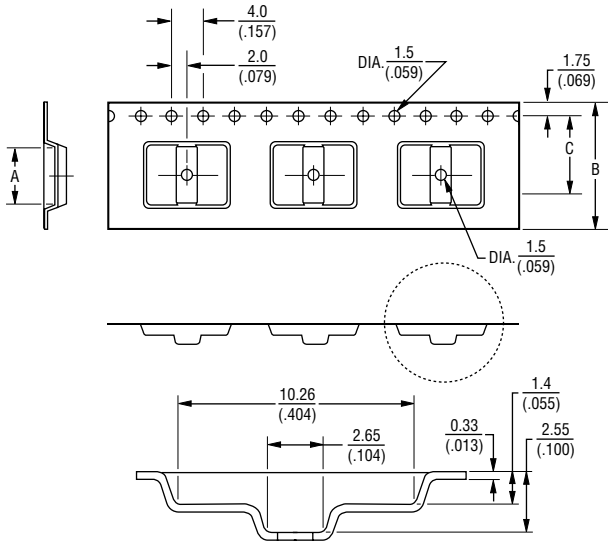
The device characteristics and parameters in this data sheet can and do vary in different applications and actual device performance may vary over time.

Users should verify actual device performance in their specific applications.

70AA/Female - Modular Contact

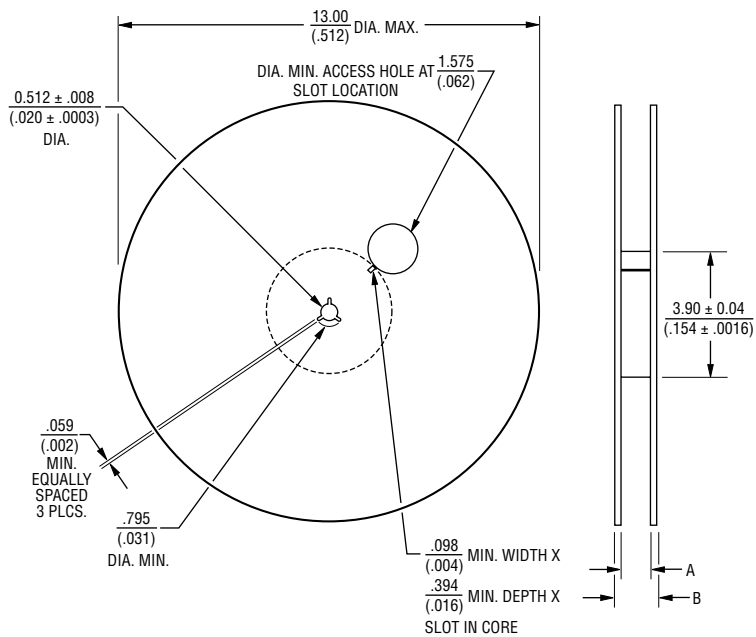
BOURNS®

Packaging Specifications



No. of Contacts	Dimension A	Dimension B	Dimension C
2	$\frac{5.23}{(.206)}$	$\frac{16.0}{(.630)}$	$\frac{7.5}{(.295)}$
3	$\frac{7.77}{(.306)}$	$\frac{16.0}{(.630)}$	$\frac{7.5}{(.295)}$
4	$\frac{10.31}{(.406)}$	$\frac{24.0}{(.945)}$	$\frac{11.5}{(.453)}$
5	$\frac{12.85}{(.506)}$	$\frac{24.0}{(.945)}$	$\frac{11.5}{(.453)}$
6	$\frac{15.39}{(.606)}$	$\frac{24.0}{(.945)}$	$\frac{11.5}{(.453)}$

DIMENSIONS: $\frac{\text{MM}}{\text{(INCHES)}}$



No. of Contacts	Dimension A	Dimension B (Max.)
2	$\frac{.646}{(.025)}$	$\frac{.882}{(.035)}$
3	$\frac{.646}{(.025)}$	$\frac{.882}{(.035)}$
4	$\frac{.961}{(.038)}$	$\frac{1.197}{(.047)}$
5	$\frac{.961}{(.038)}$	$\frac{1.197}{(.047)}$
6	$\frac{.961}{(.038)}$	$\frac{1.197}{(.047)}$

REV. 10/16

Specifications are subject to change without notice. The device characteristics and parameters in this data sheet can and do vary in different applications and actual device performance may vary over time. Users should verify actual device performance in their specific applications.