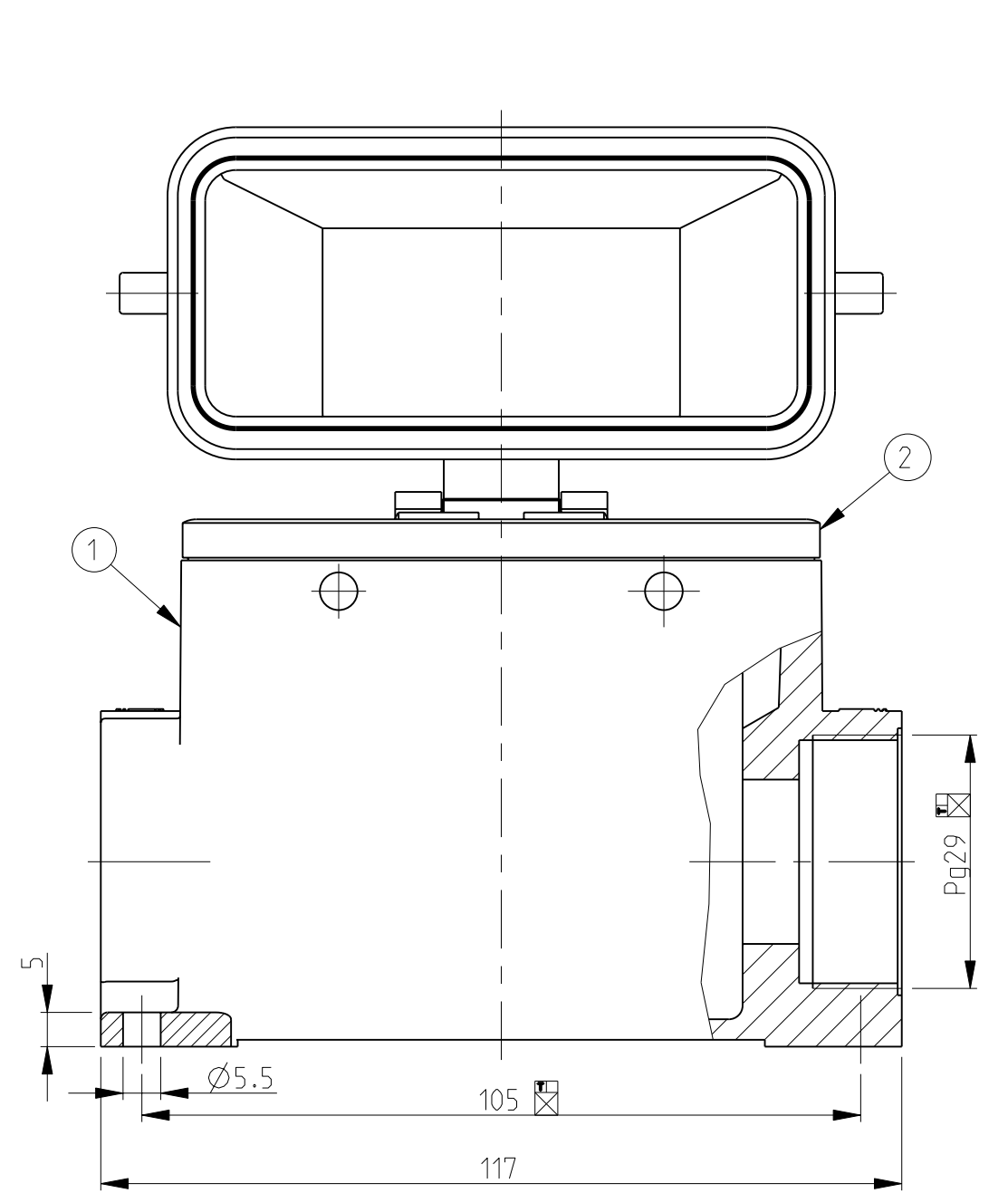
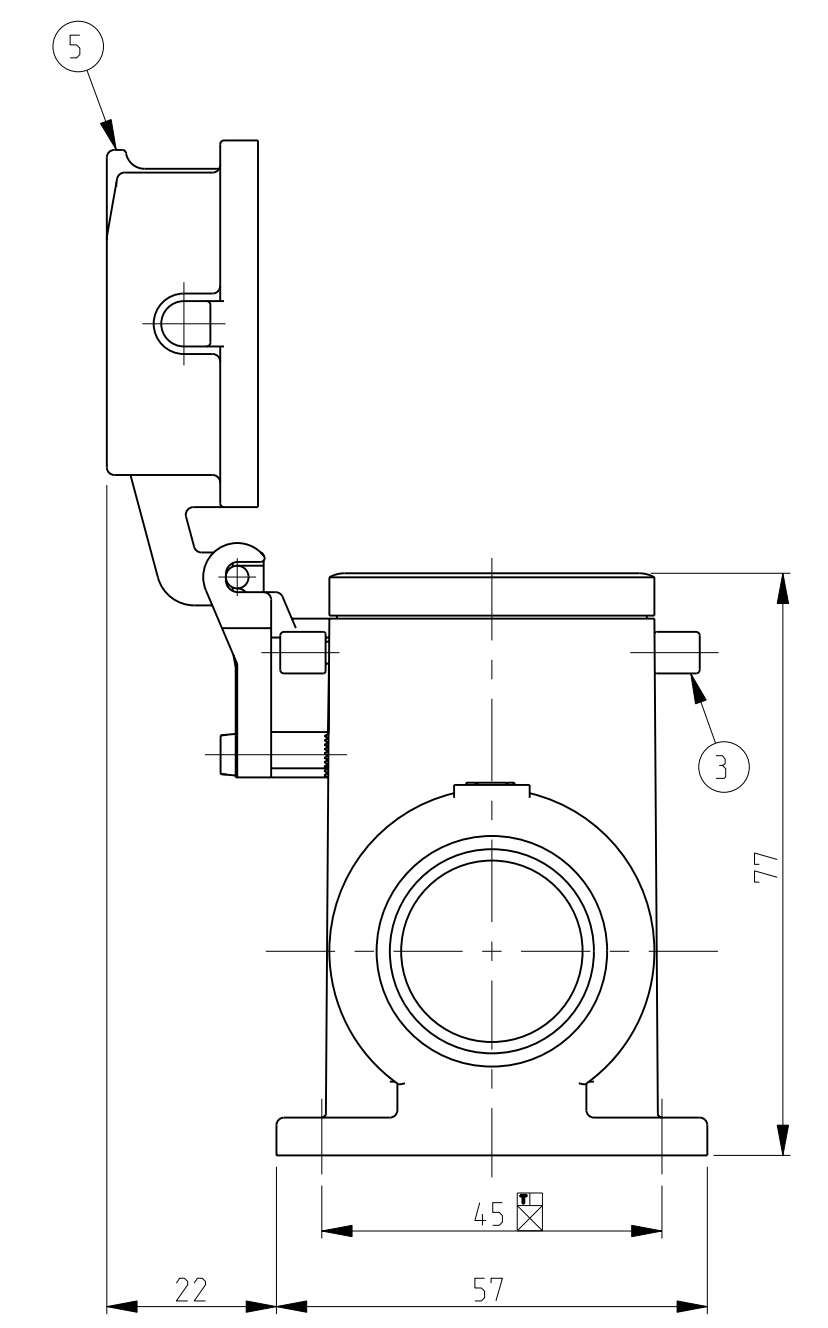


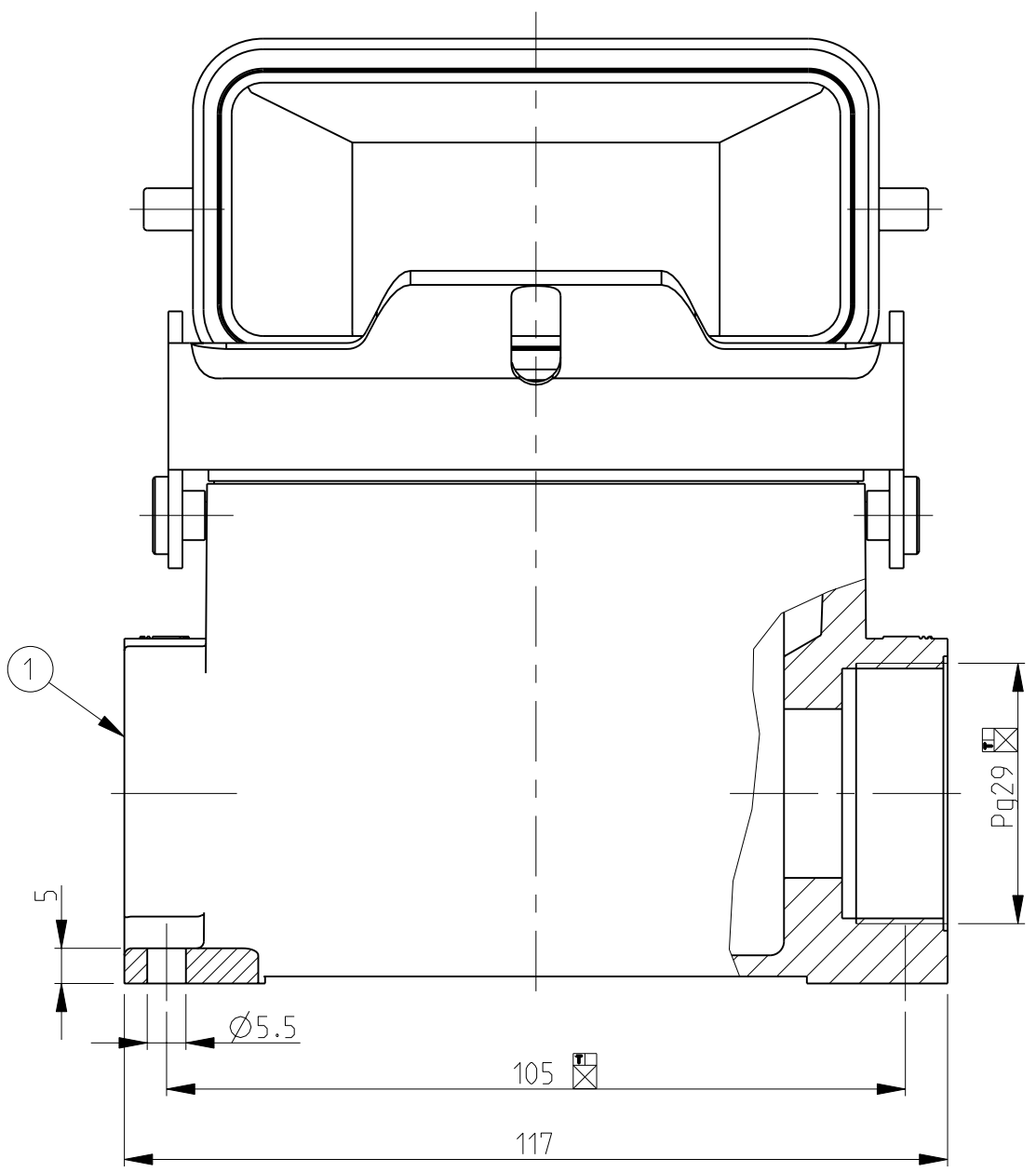
LOC	DIST	REV	DATE	BY	APPD
A1	-	A3	01.02.11	SR	AR



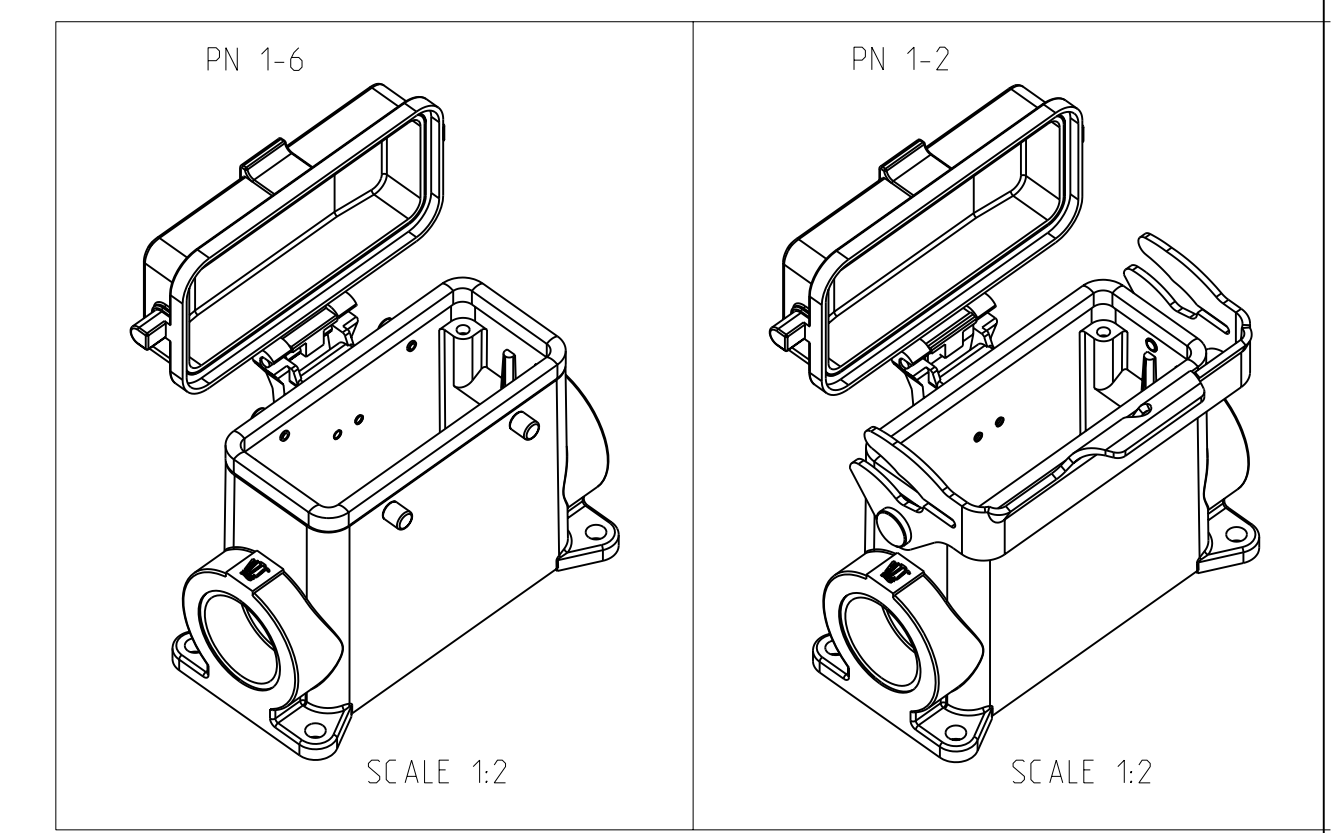
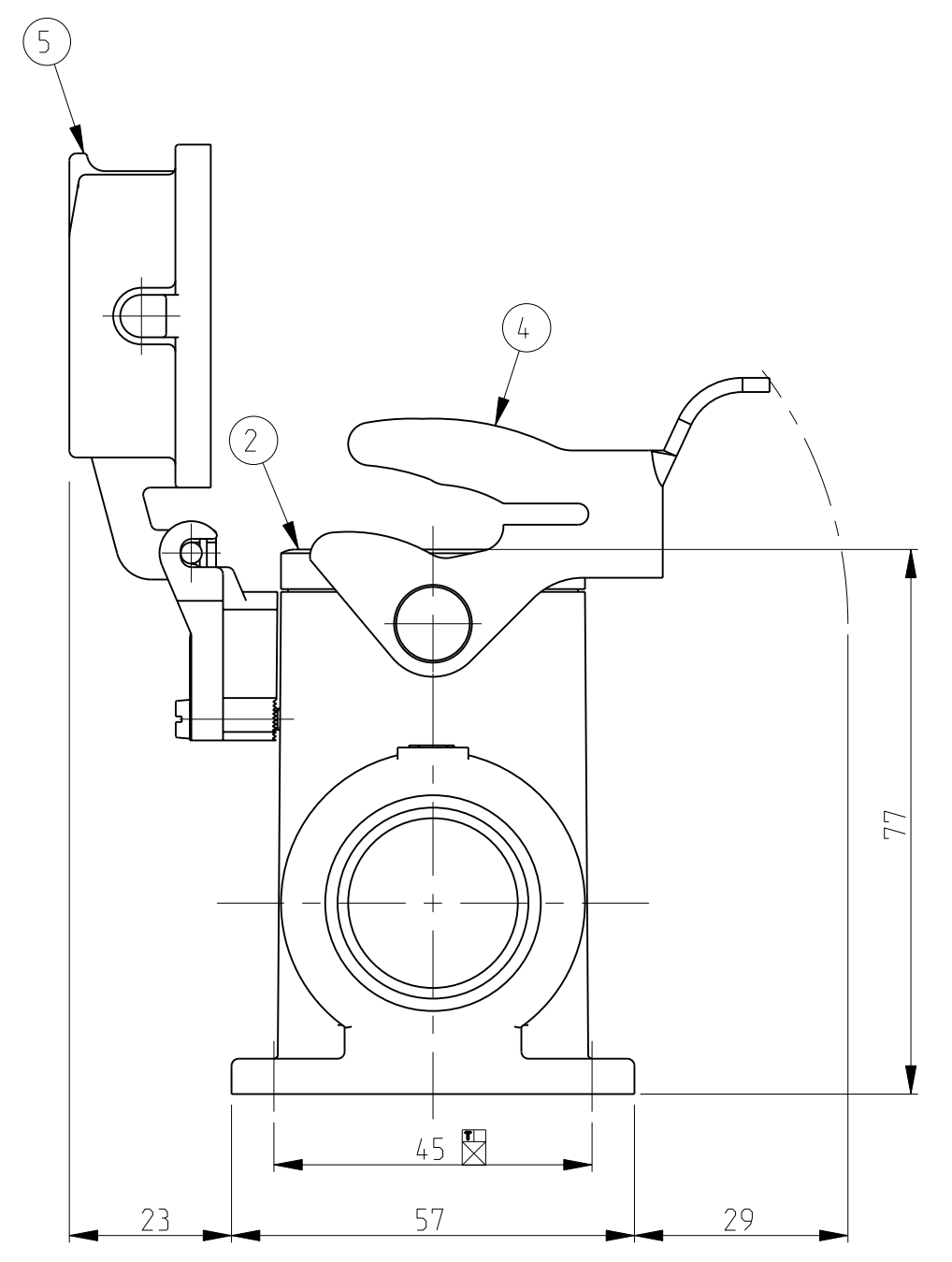
PN 1-6



- NOTES.
- 1 Material:Housing:Aluminium Diecasting Alloy
 - 2 Surface:Varnish grey
 - 3 Varnish on the inside not necessary
 - 4 Packaging Quantity 5 Pieces in a box.



PN 1-2



ITEM NO	DESCRIPTION	MATERIAL	SURFACE	COLOR	ITEM NO	NOTES
1	Cover HB	Aluminium		Grey	5	
1	LB-Side clip	Steel	Zinc plated	Blue	4	
4	VS-Clip bolt	Steel	Zinc plated	Blue	3	
1	Profile seal	Neoprene		Black	2	
1	Surface mounted housing side entry HD	Aluminium		Grey	1	

ORDERING TEXT
 HD.40.SGD.1.29.Z
 HD.40.SGD.LB.4.29.Z

OBSELETE

DWN	Schneider	23.09.2003	Tyco Electronics	Tyco Electronics,AMP.GmbH
CHK	Schweiger	23.09.2003		0-53819,Neunkirchen,Germany
APVD				
DIMENSIONS:	TOLERANCES UNLESS OTHERWISE SPECIFIED:			
mm	0	PLC	±	0.10
	1	PLC	±	0.15
	2	PLC	±	0.20
	3	PLC	±	0.30
	4	PLC	±	0.40
	ANGLES			
MATERIAL				
FINISH				
PRODUCT SPEC	108-74001.74003			
APPLICATION SPEC	114-74001.74004			
WEIGHT	-			
CUSTOMER DRAWING	SCALE 1:1 SHEET 1 OF 1 REV A3			