

## Cable gland - HC-B-GB-M25-ER-AL - 1414664

Please be informed that the data shown in this PDF Document is generated from our Online Catalog. Please find the complete data in the user's documentation. Our General Terms of Use for Downloads are valid (<http://phoenixcontact.com/download>)



Set consisting of: EVO metal adapter 1414257, metal screw connection with bending armor rod 1415183, M25



### Key Commercial Data

|                                      |          |
|--------------------------------------|----------|
| Packing unit                         | 1 pc     |
| Weight per Piece (excluding packing) | 260.0 g  |
| Custom tariff number                 | 85389099 |
| Country of origin                    | Germany  |

### Technical data

#### Dimensions

|                         |                |
|-------------------------|----------------|
| Wrench size, union nut  | 29 mm          |
| Wrench size, support    | 29 mm          |
| External cable diameter | 9 mm ... 17 mm |

#### Ambient conditions

|                                 |                   |
|---------------------------------|-------------------|
| Ambient temperature (operation) | -40 °C ... 100 °C |
|---------------------------------|-------------------|

#### General

|                                |                     |
|--------------------------------|---------------------|
| Cable gland material           | Nickel-plated brass |
| Material, pressure screw       | Nickel-plated brass |
| Thread type on connection side | Bayonet             |
| Thread type on seal side       | M25                 |

### Classifications

#### eCl@ss

|            |          |
|------------|----------|
| eCl@ss 5.1 | 27143424 |
|------------|----------|

# Cable gland - HC-B-GB-M25-ER-AL - 1414664

## Classifications

eCl@ss

|            |          |
|------------|----------|
| eCl@ss 6.0 | 27261207 |
|------------|----------|

ETIM

|          |          |
|----------|----------|
| ETIM 5.0 | EC000441 |
|----------|----------|

## Approvals

Approvals

---

Approvals

EAC

---

Ex Approvals

---

Approvals submitted

---

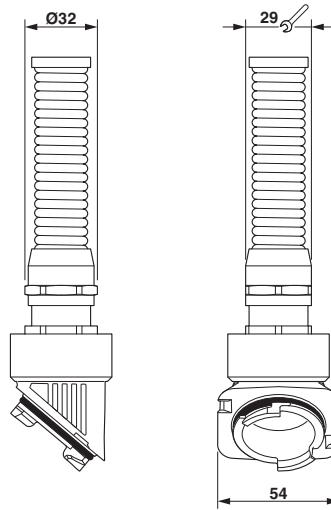
Approval details

|     |
|-----|
| EAC |
|-----|

Drawings

## Cable gland - HC-B-GB-M25-ER-AL - 1414664

Dimensional drawing



Dimensional drawing