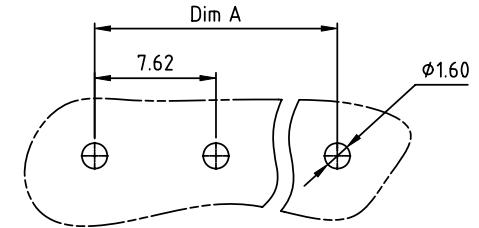
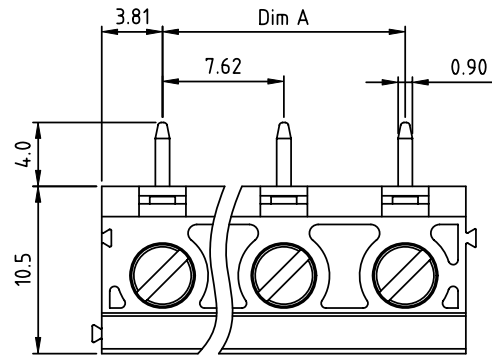
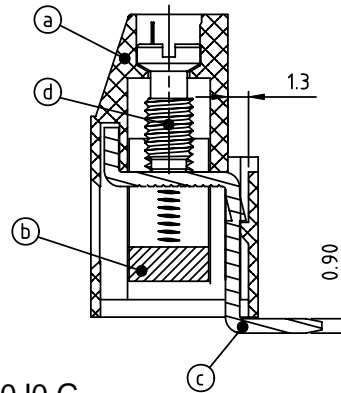
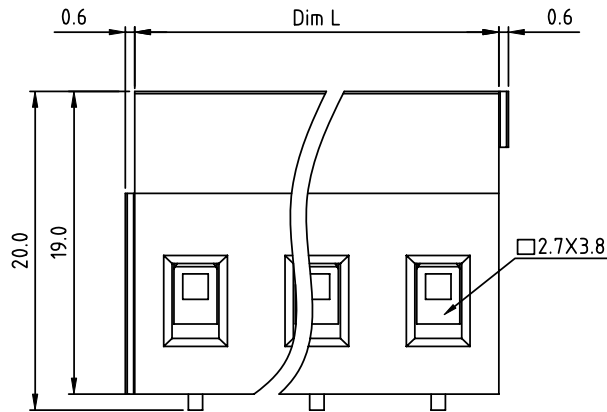


|                |        |
|----------------|--------|
| PRODUCT NUMBER | PITCH  |
| VJxx61x000J0G  | 7.62mm |



RECOMMENDED P.C.B LAYOUT  
TOP VIEW



Material:

- Item①Terminal housing:Thermoplastic (UL 94V-0)
- Item②Clamp: Brass Ni plated
- Item③Solder pin:Brass Tin plated
- Item④Terminal screw: Steel Zinc plating"- "slot type

Electrical cULus / VDE

- Voltage rating : 300VAC / 750V
- Current rating : 20A / 24A
- Wire range : 0.2-2.5mm<sup>2</sup>
- Solid wire(AWG) : 12-30
- Stranded wire(AWG) : 12-30
- Torque : 3.5 Lb-In / 0.5 N.m
- Screw: M3
- Wire strip length: 6-7mm
- Withstanding Voltage: 1.6KV / 3KV
- Operating temperature: -40°C to +115°C
- Soldering temperature: 260°C±5°C/5 Sec
- Safety Approval:

PART NO.: VJ xx 6 1 x 0 00J0 G

Dimension L&B

|       |            |
|-------|------------|
| Dim L | N×7.62     |
| Dim A | (N-1)×7.62 |

N=Number of poles

| Poles   | Tolerance |
|---------|-----------|
| 2p-6p   | ±0.20     |
| 7p-12p  | ±0.30     |
| 13p-16p | ±0.40     |

| End stackable | No. of poles | Color             | RoHS compliant (lead<4%) In copper Alloy |
|---------------|--------------|-------------------|--|
| 0             | 2            | Black (RAL9005)   |  |
| 02            | 2 poles      | Red (RAL3001/D)   |  |
| 03            | 3 poles      | Orange(RAL2011/P) |  |
| ...           | ...          | Yellow(RAL1018/A) |  |
| 5             | 5 poles      | Green(RAL6018/T)  |  |
| 6             | 6 poles      | Blue (RAL5015/A)  |  |
| 8             | 8 poles      | Grey(RAL7035/D)   |  |
| 9             | 9 poles      | White(RAL1102)    |  |
| C             | 16 poles     | Green(RAL6018/U)  |  |

|                                       |                |                    |                      |                |   |
|---------------------------------------|----------------|--------------------|----------------------|----------------|---|
| mat'l. code                           |                | surface ASME Y14.5 | tolerance ASME Y14.5 | projection     | product family                            |
| ltr                                   | ecn no         | dr                 | date                 |                | TERMINAL BLOCK                            |
| tolerances unless otherwise specified |                |                    |                      | MM             | title                                     |
| angles                                | 0              | X.±0.5             |                      | TERMINAL BLOCK |   |
| 0                                     | 1              | X.X±0.3            |                      | scale          | RISING CLAMP,90D WIRE INLET,END STACKABLE |
| X°±1°                                 | 1              | X.XX±0.1           |                      | scale          | sheet 1 of 1 size                         |
| dr                                    | EVIN ZHONG     | 040914             |                      |                | dwg no                                    |
| enr                                   | EVIN ZHONG     | 040914             |                      |                | VJxx61x000J0G                             |
| chr                                   | HANKE FENG     | 040914             |                      |                | A4  |
| appd                                  | SHI JUN        | 040914             |                      |                | type                                      |
| sheet index                           | revision sheet | A                  | 1                    |                | CUSTOMER Drawing                          |