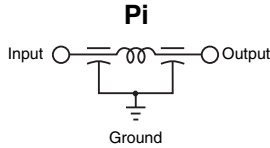


## Surface Mount Low Pass Filters SSM & RSM Series

### SSM



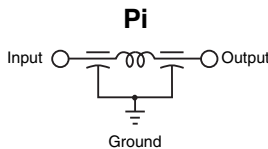
- Working Voltage . . . . . 100 VDC
- Test Voltage . . . . . 250 VDC
- Current . . . . . Max. 10 Amps
- Insulation Resistance . . . . . Min.  $10^4$  M $\Omega$
- Terminations . . . . . Silver Ni-Tin plated
- Soldering Conditions . . . . . Max. 250°C -5 sec.
- Marking . . . . . None
- Packaging . . . . . Bulk or tape and reel

**Note:** Insertion loss shown for the following SSM values\* only:

- 101Z
- 501P
- 202P

\*Additional IL charts available by request.

### RSM



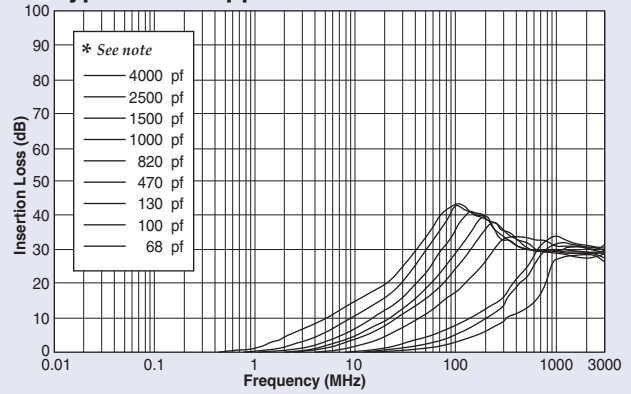
- Working Voltage . . . . . 100 VDC
- Test Voltage . . . . . 250 VDC
- Current . . . . . Max. 10 Amps
- Insulation Resistance . . . . . Min.  $10^4$  M $\Omega$
- Terminations . . . . . Silver Ni-Tin plated
- Soldering Conditions . . . . . Max. 250°C -5 sec.
- Marking . . . . . None
- Packaging . . . . . Bulk or tape and reel

**Note:** Insertion loss shown for the following RSM values only:

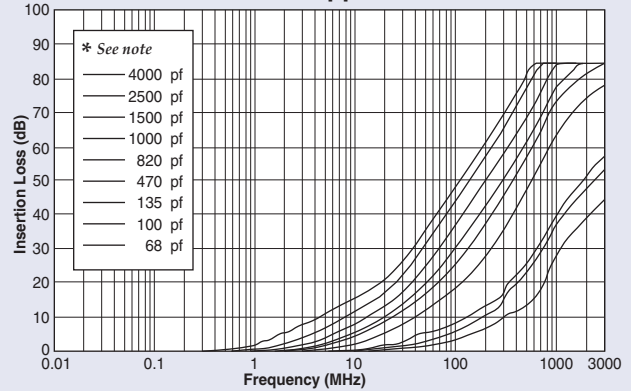
- 152P
- 402Z

## Pi Insertion Loss

### Typical SMT Applications

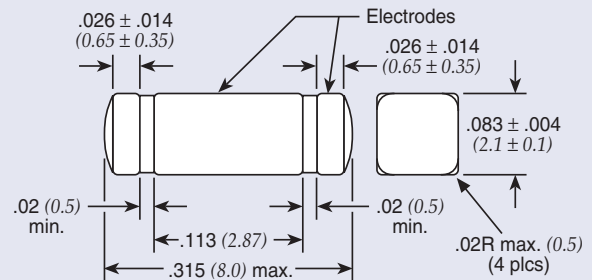


### Shielded or Partition Applications

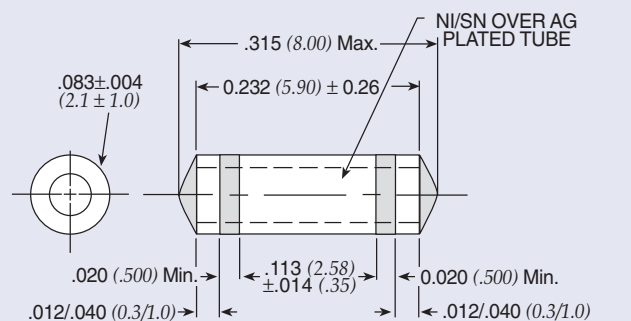


\* Capacitance values for insertion loss curves are displayed left to right in the order shown.

### SSM



### RSM



Dimensions in inches (mm)

## Surface Mount Low Pass Filters SSM & RSM Series

### SSM & RSM Ordering Information

Example: **SSM1-101Z-05T 1**

|                             |                              |          |                    |          |                             |   |   |
|-----------------------------|------------------------------|----------|--------------------|----------|-----------------------------|---|---|
| <b>SSM</b>                  | <b>1</b>                     | <b>-</b> | <b>101Z</b>        | <b>-</b> | <b>05</b>                   | <b>T</b>  | <b>1</b>  |
| <b>Style</b>                | <b>Circuit Configuration</b> |          | <b>Capacitance</b> |          | <b>Current Rating</b>       | <b>Packaging</b>                                  | <b>Tape and Reel</b>  |
| SSM (Square)<br>RSM (Round) | 1 - Pi                       |          |                    |          | 05 - 5 Amps<br>10 - 10 Amps | T - Tape and reel packaging<br>B - Bulk packaging | 1 - 1,000 pieces<br>6 - 6,000 pieces<br><i>Note: Tape and reel packaging - 1,000 pieces (7") and 6,000 pieces (13")</i> |

| Code | Value   | Tolerance |
|------|---------|-----------|
| 101Z | 100 pF  | +80/-20%  |
| 501P | 500 pF  | +100/-0%  |
| 152P | 1500 pF | +100/-0%  |
| 202P | 2000 pF | +100/-0%  |
| 402E | 4000 pF | ±25       |
| 402Z | 4000 pF | +80/-20%  |

† Also available through API's authorized distributors.  
 € Also available through API's authorized European distributors/agents.  
 † SSM1-152P-05-T1 €

