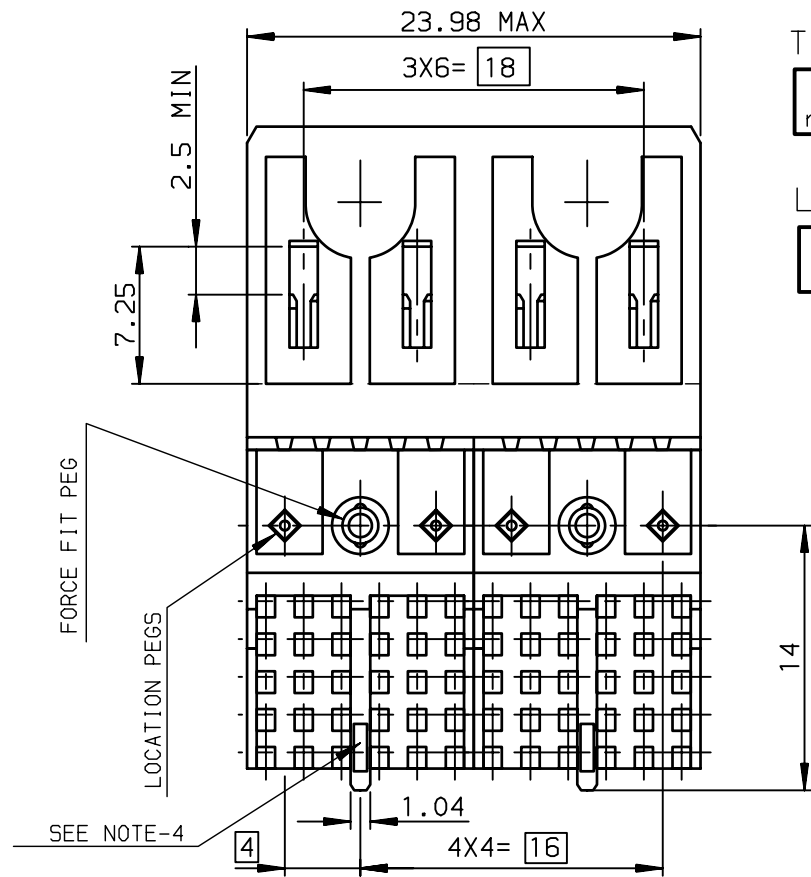
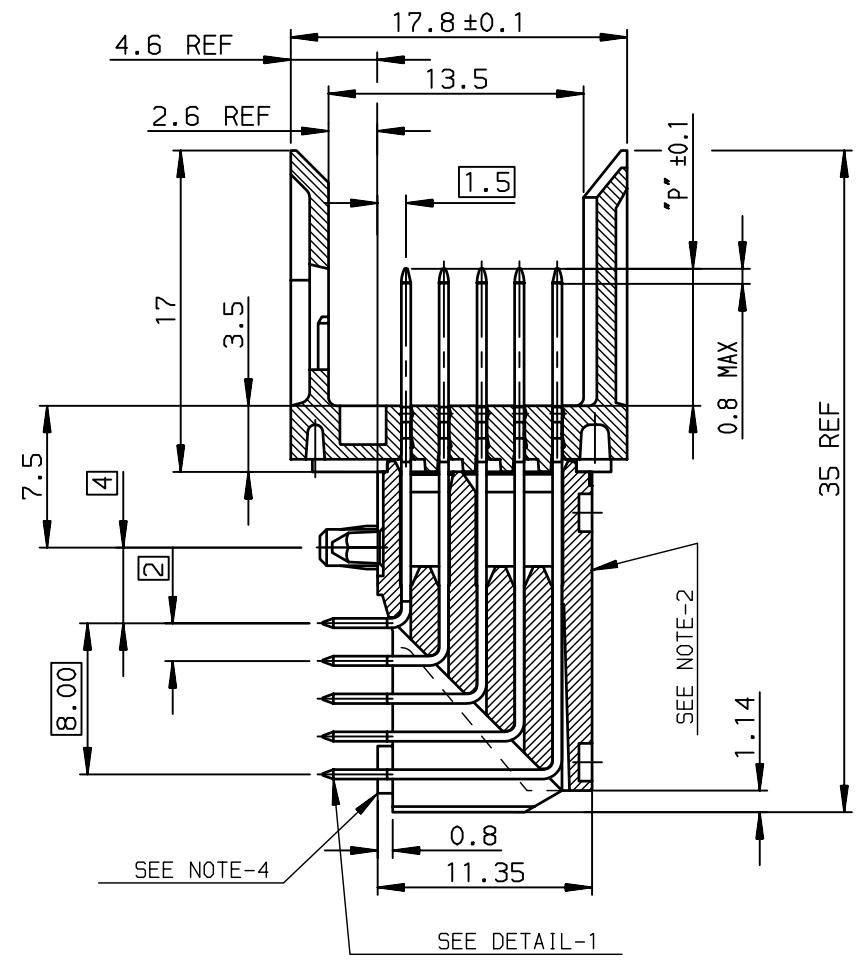


A

B



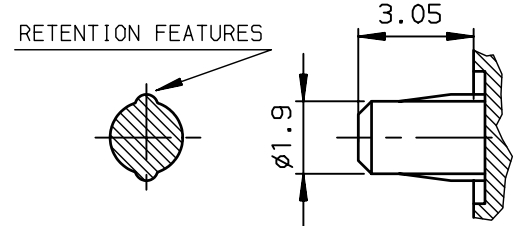
TIN LEAD PART NUMBER  
Part number: **HM1L52ZDP499H6P**

LEAD FREE PART NUMBER  
Part number: **HM1L52ZDP499H6PLF**

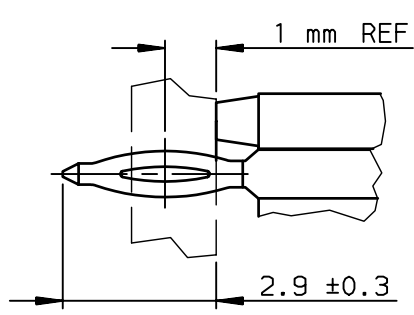
TABLE-1

	CONTACT CODE		QTE
	DIM-P	DIM-D	
01	5.00		01
02	5.75		-
03	6.50		51
04	7.25		08
19	8.00		--

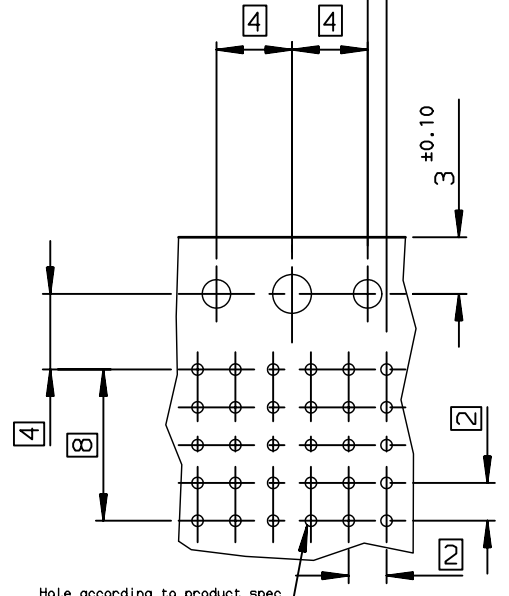
DETAIL OF FORCE-FIT PEGS



DETAIL-1: PRESS-FIT PIN



LAYOUT FOR P.C.B (PER 12mm LENGTH)



Hole according to product spec  
65-12-445 (For press-fit),  
65-12-446 (For STB)

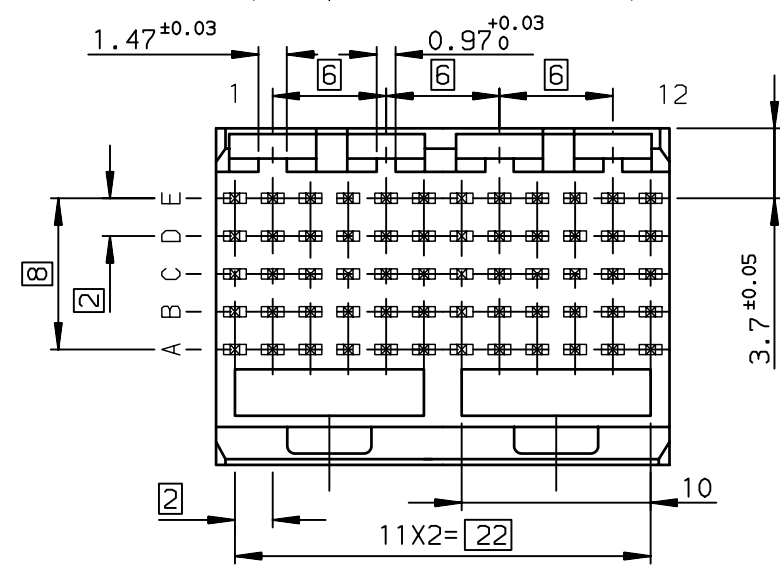


FIGURE-1

	1	2	3	4	5	6	7	8	9	10	11	12
E	03	03	03	03	03	03	03	03	03	03	03	03
D	03	03	03	03	03	03	03	03	03	03	03	03
C	03	03	03	03	03	03	03	03	03	03	03	03
B	03	03	03	03	03	03	03	03	03	03	03	03
A	04	04	04	03	03	01	03	04	04	04	04	04

GENERAL CHARACTERISTICS AND ROHS INFORMATIONS:  
SEE PRODUCT SPECIFICATION GS-12-445

European Views

www.fciconnect.com		surface ISO 1302 ✓	tolerance std ISO 406 ISO 1101	projection mm
TOLERANCES UNLESS OTHERWISE SPECIFIED				size A3
Dr	LENOIR	26/08/32	ANGULAR	Scale 2.5
Eng	LENOIR	2006/03/27	LINEAR	ECN LS07-0184
Chr	LEGARE	2006/03/27	0.xx' ± 2'	Spec ref -
Appr	LEGARE	2006/03/27	Product family METRAL	

rev	ecn no	dr	date
A	LS06-0019	MLE	2006/03/27
B	LS06-0097	LGO	2006/07/21
C	LS07-0184	MLE	2007/07/27
-	-	-	-
-	-	-	-
-	-	-	-
-	-	-	-

FCi title: **METRAL RA HDR 5 ROW PFIT**  
2MOD - Specific loading  
catalog no: -  
dwg no: **C-8626-11310**  
Rev. **C**  
CUSTOMER sheet 1 of 1

Copyright FCI. FCI