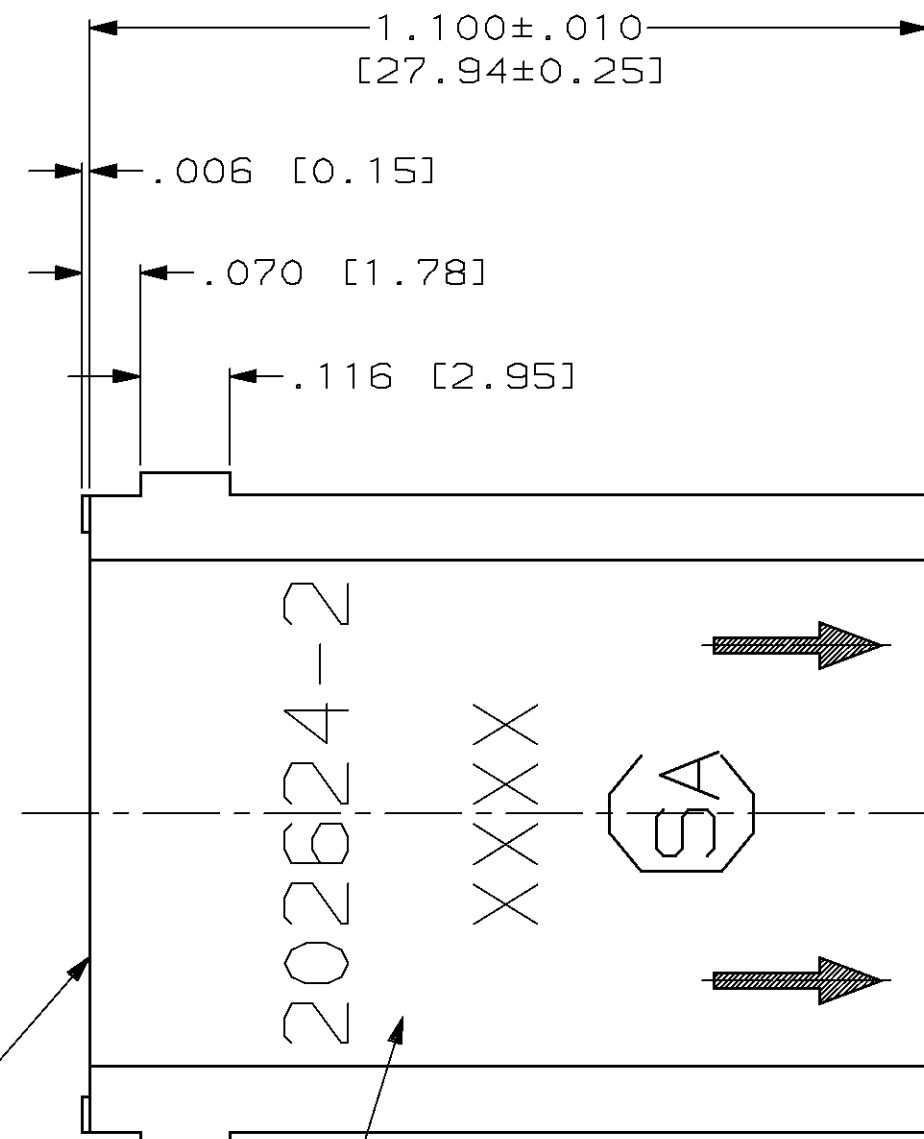
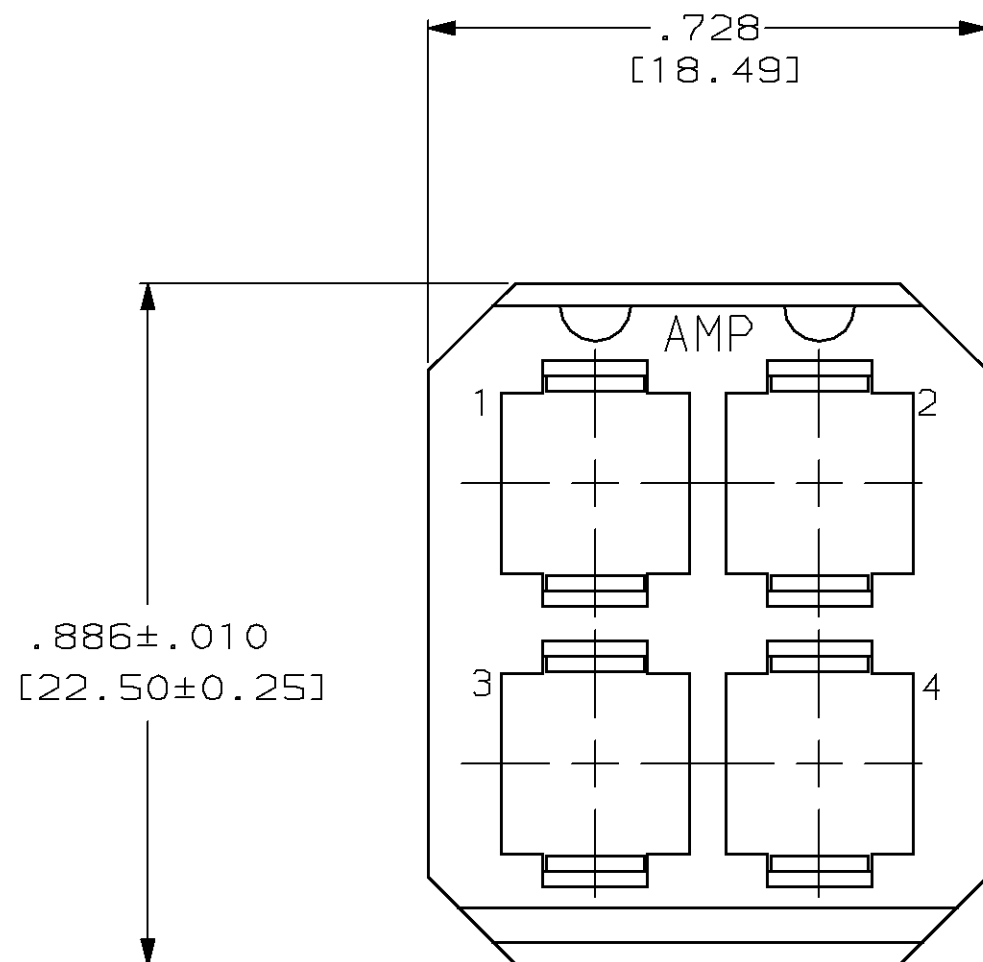
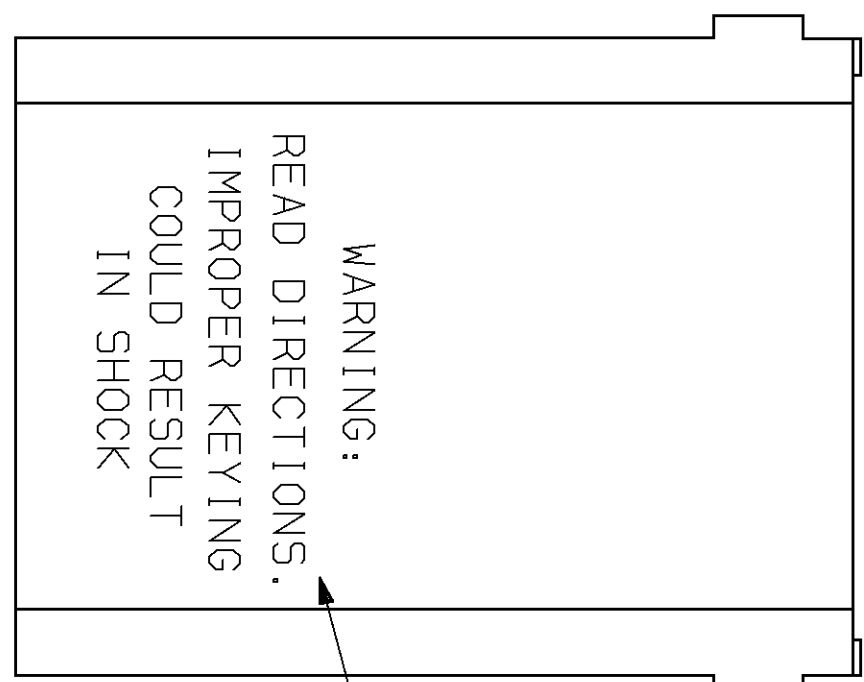


LOC	DIST	P	F	REVISIONS				
				ZONE	LTR	DESCRIPTION	DATE	APPD
DF	BO			G		REV & REDRAWN DF-4297 PY	11-91	DBM
				H		REV PER 0600-4161-95 JB	08-30-95	DBM



MATING FACE

- ① MATERIAL: PHENOLIC PER MIL-M-14, TYPE CFG OR MFH, COLOR: BLACK
- ② AMP PART NO, DATE CODE, CSA CERT AND ARROWS MARKED WITH WHITE INK OR BY LASER MARKING AT APPROXIMATE AREA SHOWN, EITHER SIDE
- 3. THIS MODULE ACCEPTS FOUR TYPE XII MALE POWER CONTACTS
- ④ WARNING STATEMENT MARKED WITH WHITE INK AT APPROXIMATE AREA SHOWN, ON SIDE OPPOSITE PART NUMBER.

AS SHOWN	202624-2
DESCRIPTION	PART NUMBER

DO NOT SCALE PRINT. UNLESS SPECIFIED DIMENSIONS IN INCHES [mm]		DR 9-10-91 P. YEAGER		AMP Incorporated Harrisburg, PA 17105-3608	
TOLERANCES ON :		CHK 11-12-91 D.B. MUMMEY			
2 PLC DEC ± -		APPD 11-12-91 D.B. MUMMEY		NAME	
3 PLC DEC ± .005		APPD -		MALE BLOCK G SERIES, TYPE XII	
ANGLES ± -		PRODUCT SPEC -			
MATERIAL		APPLICATION SPEC		SIZE	CAGE CODE
		FINISH -		③	00779
		WEIGHT -		SCALE 4:1	DRAWING NO
					202624
				SHEET	1 OF 1