

REVISIONS				
EC NO	DATE	REV	DESCRIPTION	CHANGER
	2016.12.07	A	INITIAL RELEASE.	DICK

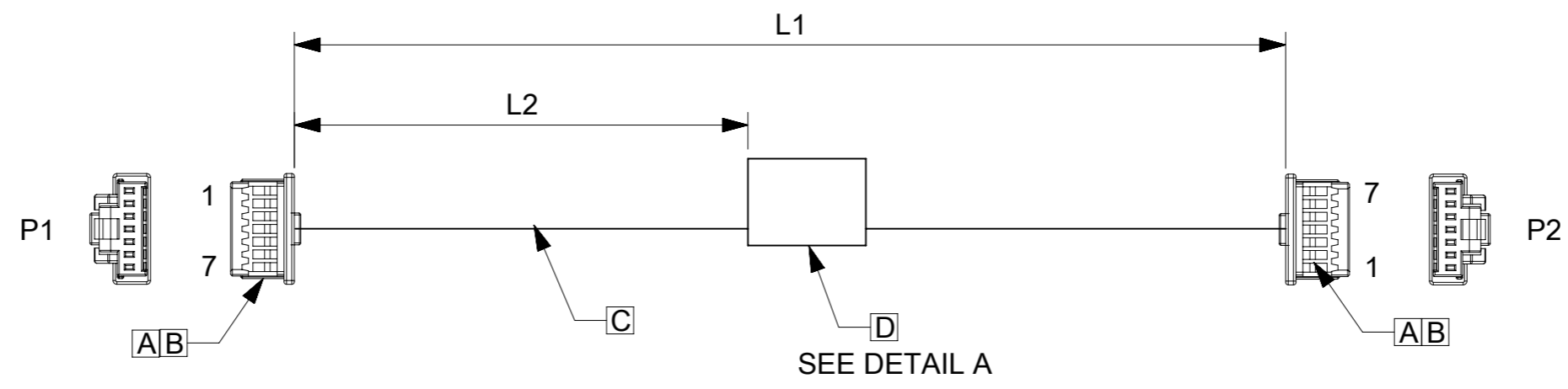


TABLE			
PART NUMBER	L1	L2	TITLE
151330700	50±5	18REF	Pico-Clasp 7 Circuit 50MM
151330701	100±8	44REF	Pico-Clasp 7 Circuit 100MM
151330702	150±10	69REF	Pico-Clasp 7 Circuit 150MM
151330703	300±10	144REF	Pico-Clasp 7 Circuit 300MM
151330705	450±15	219REF	Pico-Clasp 7 Circuit 450MM
151330706	600±15	294REF	Pico-Clasp 7 Circuit 600MM

P/N:15133XXXX—MOLEX PN
MOLEX

DETAIL A

NOTES

1. THIS PRODUCT MUST MEET 2011/65/EU ROHS COMPLIANCE.
此产品需符合 2011/65/EU ROHS环保要求.
2. ELECTRICAL PERFORMANCE REFER TO ES-000.
电气特性参考ES-000.
3. LABEL TEXT MUST BE 2mm MAX. IN HEIGHT WITH ARIAL FONT.
标签字高最大2mm,字体ARIAL.

ITEM	DESCRIPTION	L(MM)	QTY
D	Blank label 12.7x35.5mm (WHT:12.7mm) HF		1
C	28AWG;PLATED;PVC;BK;OD=0.60MM;UL1571	A/R	
B	1.0 WtB Crimp Rec Term Chn, Tin Plating		14
A	1.0 W/B 1-Row Rec Hsg 7Ckt		2

WIRING CHART		
P1	P2	COLOR
1	7	BLACK
2	6	BLACK
3	5	BLACK
4	4	BLACK
5	3	BLACK
6	2	BLACK
7	1	BLACK

THIS DRAWING CONTAINS INFORMATION THAT IS PROPRIETARY TO MOLEX ELECTRONIC TECHNOLOGIES, LLC AND SHOULD NOT BE USED WITHOUT WRITTEN PERMISSION									
QUALITY SYMBOLS 	2016/12/06 2016/12/09 2016/12/11 EC NO: 111343 DRWN: WLXIE CHK'D: DHUANG16 APPR: YXZOU	GENERAL TOLERANCES (UNLESS SPECIFIED) ANGULAR TOL ± °		DIMENSION UNITS MM	SCALE NTS	 SEE TABLE PRODUCT CUSTOMER DRAWING			
		4 PLACES ±	DRWN BY WLXIE	DATE 2016/11/17					
		3 PLACES ±	CHK'D BY DHUANG16	DATE 2016/12/05					
		2 PLACES ±	APPR BY YXZOU	DATE 2016/12/11					
1 PLACE ±	DRAFT WHERE APPLICABLE MUST REMAIN WITHIN DIMENSIONS		DRAWING SIZE A3	THIRD ANGLE PROJECTION 		SERIES 201234	MATERIAL NUMBER SEE TABLE	CUSTOMER GENERAL MARKET	
0 PLACES ±					DOCUMENT NUMBER 2012341667	DOC TYPE PSD	DOC PART 000	SHEET NUMBER 1 OF 1	