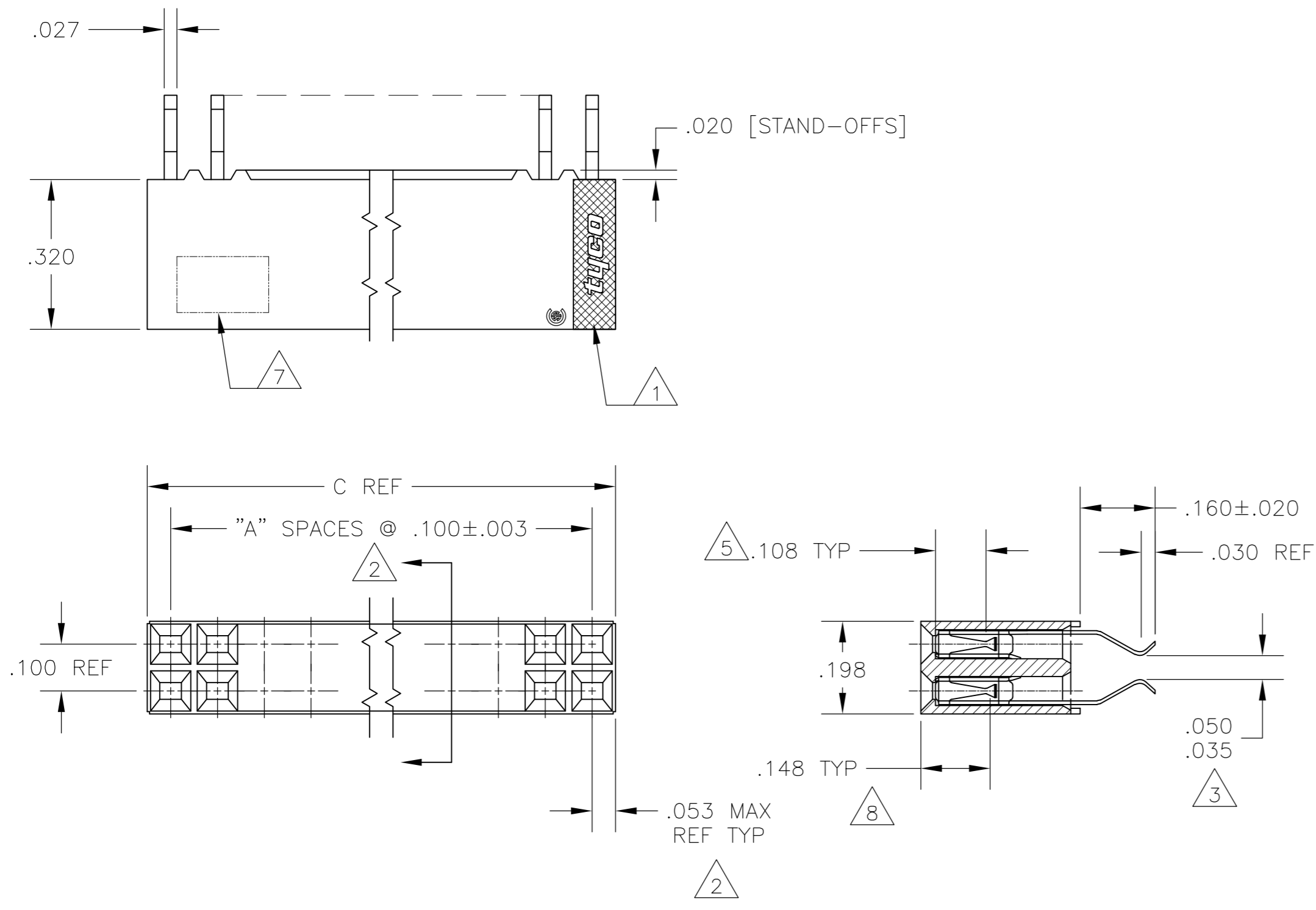


THIS DRAWING IS UNPUBLISHED. RELEASED FOR PUBLICATION  
 © COPYRIGHT BY TYCO ELECTRONICS CORPORATION. ALL RIGHTS RESERVED.

LOC	DIST	REVISIONS					
AD	00	P	LTR	DESCRIPTION	DATE	DWN	APVD
		U		EC 0G3C 0025 05	16MAR05	MB	JO
		U1		REVISED PER ECO-09-020774	24AUG09	KK	AEG



- 1 TYCO TRADEMARK AND CSA LOGO ARE MOLDED INTO HOUSING.
- 2 THESE DIMENSIONS PERTAIN TO CAVITY  $\phi$ 'S ONLY - NOT TO CONTACT LOCATIONS
- 3 THESE DIMENSIONS ARE DESIGNED FOR .0625±.0075 THICK PC BOARD
- 4 DUPLEX PLATED, .00030 GOLD ON CONTACT AREA, .000150-.000300 BRIGHT TIN-LEAD OR TIN ON SOLDER LEADS, ALL OVER .000050 NICKEL.
- 5 POINT OF MEASUREMENT FOR PLATING THICKNESS (MEASURED INSIDE CONTACT BEAMS)
- 6 NO PART NUMBER MARKING REQUIRED FOR THIS PART
- 7 PART NUMBER AND DATE CODE MARKED IN APPROXIMATE LOCATION SHOWN.
- 8 POINT OF CONTACT MEASUREMENT.
- 9 HOUSING; GLASS FILLED, FLAME RETARDANT POLYESTER  
COLOR-BLACK  
CONTACTS: PHOSPHOR BRONZE.
- 10 DUPLEX PLATED: .000030 GOLD ON CONTACT AREA, .0001500-.000300 MATTE TIN ON SOLDER LEADS, ALL OVER .000050 MINIMUM NICKEL.
- 11 ROHS 2002/95/EC COMPLIANT
- 12 OBSOLETE PARTS: OBSOLETE CIS STREAMLINING PER D.RENAUD/D.SINISI

LOC	DIST	P	LTR	DESCRIPTION	DATE	DWN	APVD
10				3.200 3.100 31 64			7-87331-9
10				3.100 3.000 30 62			7-87331-8
10				2.900 2.800 28 58			7-87331-7
10				2.800 2.700 27 56			7-87331-6
10				2.300 2.200 22 46			7-87331-5
10				1.800 1.700 17 36			7-87331-4
10				1.600 1.500 15 32			7-87331-3
10				1.100 1.000 10 22			7-87331-2
10				.600 .500 05 12			7-87331-1
10				.900 .800 08 18			7-87331-0
10				2.700 2.600 26 54			6-87331-9
10				1.700 1.600 16 34			6-87331-8
10				1.300 1.200 12 26			6-87331-7
10				1.200 1.100 11 24			6-87331-6
10				.700 .600 06 14			6-87331-5
10				2.100 2.000 20 42			6-87331-4
10				2.600 2.500 25 52			6-87331-3
10				2.200 2.100 21 44			6-87331-2
10				3.000 2.900 29 60			6-87331-1
10				1.500 1.400 14 30			6-87331-0
6				.500 .400 04 10			5-87331-9
10				2.500 2.400 24 50			5-87331-8
10				2.400 2.300 23 48			5-87331-7
10				.400 .300 03 8			5-87331-6
10				.800 .700 07 16			5-87331-5
10				1.000 .900 09 20			5-87331-4
10				1.400 1.300 13 28			5-87331-3
10				1.900 1.800 18 38			5-87331-2
10				2.000 1.900 19 40			5-87331-1
12				OBSOLETE			2-87331-9
12				OBSOLETE			2-87331-8
12				OBSOLETE			2-87331-7
12				OBSOLETE			2-87331-6
12				OBSOLETE			2-87331-5
12				OBSOLETE			2-87331-4
12				OBSOLETE			2-87331-3
12				OBSOLETE			2-87331-2
12				OBSOLETE			2-87331-1
12				OBSOLETE			.600 .500 05 12
12				OBSOLETE			.900 .800 08 18
12				OBSOLETE			2.700 2.600 26 54
12				OBSOLETE			1.700 1.600 16 34
12				OBSOLETE			1.300 1.200 12 26
12				OBSOLETE			1.200 1.100 11 24
12				OBSOLETE			.700 .600 06 14
12				OBSOLETE			2.100 2.000 20 42
12				OBSOLETE			2.600 2.500 25 52
12				OBSOLETE			2.200 2.100 21 44
12				OBSOLETE			3.000 2.900 29 60
12				OBSOLETE			1.500 1.400 14 30
12				OBSOLETE			.500 .400 04 10
12				OBSOLETE			2.500 2.400 24 50
12				OBSOLETE			2.400 2.300 23 48
12				OBSOLETE			.400 .300 03 8
12				OBSOLETE			.800 .700 07 16
12				OBSOLETE			1.000 .900 09 20
12				OBSOLETE			1.400 1.300 13 28
12				OBSOLETE			1.900 1.800 18 38
12				OBSOLETE			2.000 1.900 19 40

FINISH	C	B	A	NO OF POSN	PART NUMBER

THIS DRAWING IS A CONTROLLED DOCUMENT.

DWN J KNAUB 05-01-94  
 CHK A GABANY 28-06-94  
 APVD A GABANY 28-06-94

TOLERANCES UNLESS OTHERWISE SPECIFIED:  
 0 PLC ± -  
 1 PLC ± -  
 2 PLC ± -  
 3 PLC ± .005  
 4 PLC ± -  
 ANGLES ± -  
 FINISH 4 10

APPLICATION SPEC: PRODUCT SPEC, APPLICATION SPEC

MATERIAL: 9

Customer Drawing

SCALE: 1:1 SHEET 1 OF 1 REV U1

Tyco Electronics Corporation  
 Harrisburg, Pa 17105-3608

ASSEMBLY, MOD II, DOUBLE ROW, .100x.100 VERTICAL BOARD MOUNT, CARD EDGE

SIZE: A2 CAGE CODE: 00779 DRAWING NO: 87331