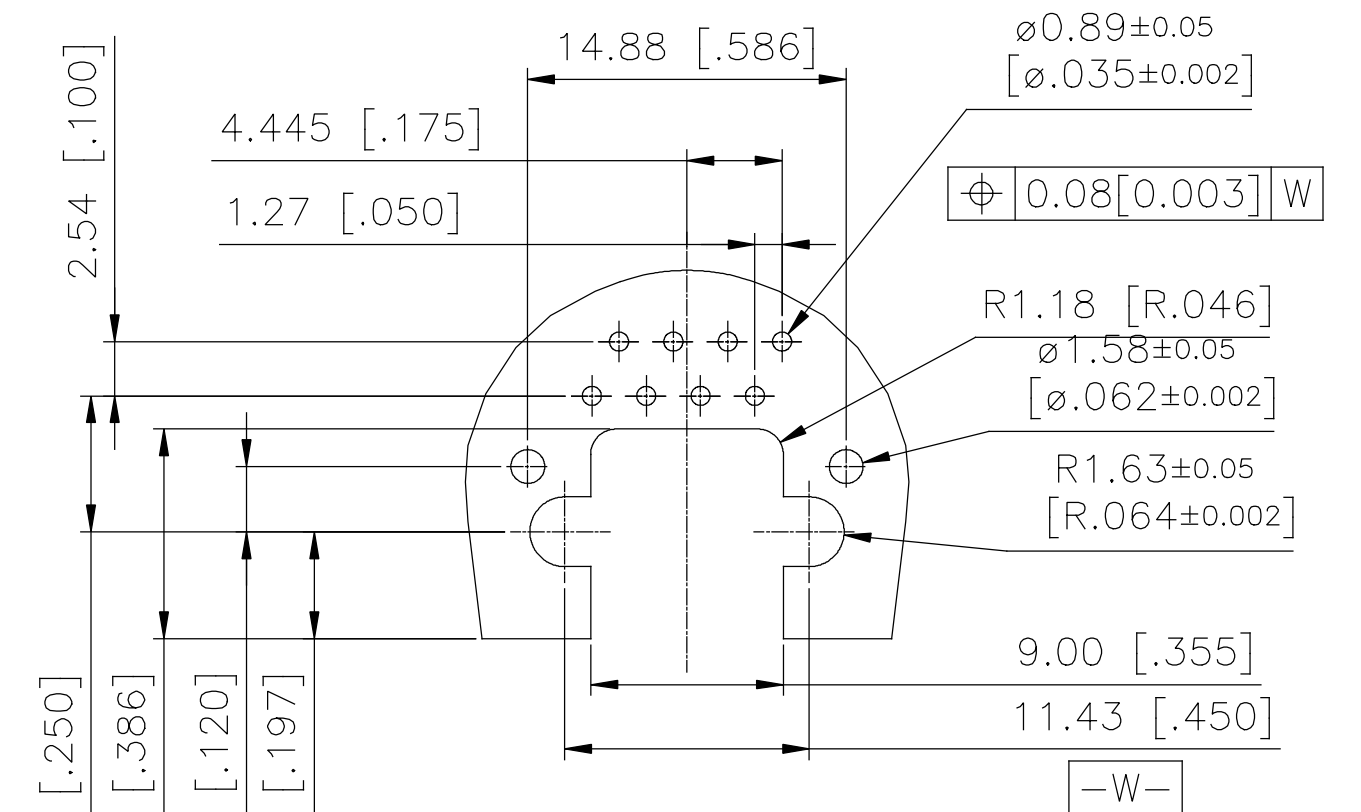
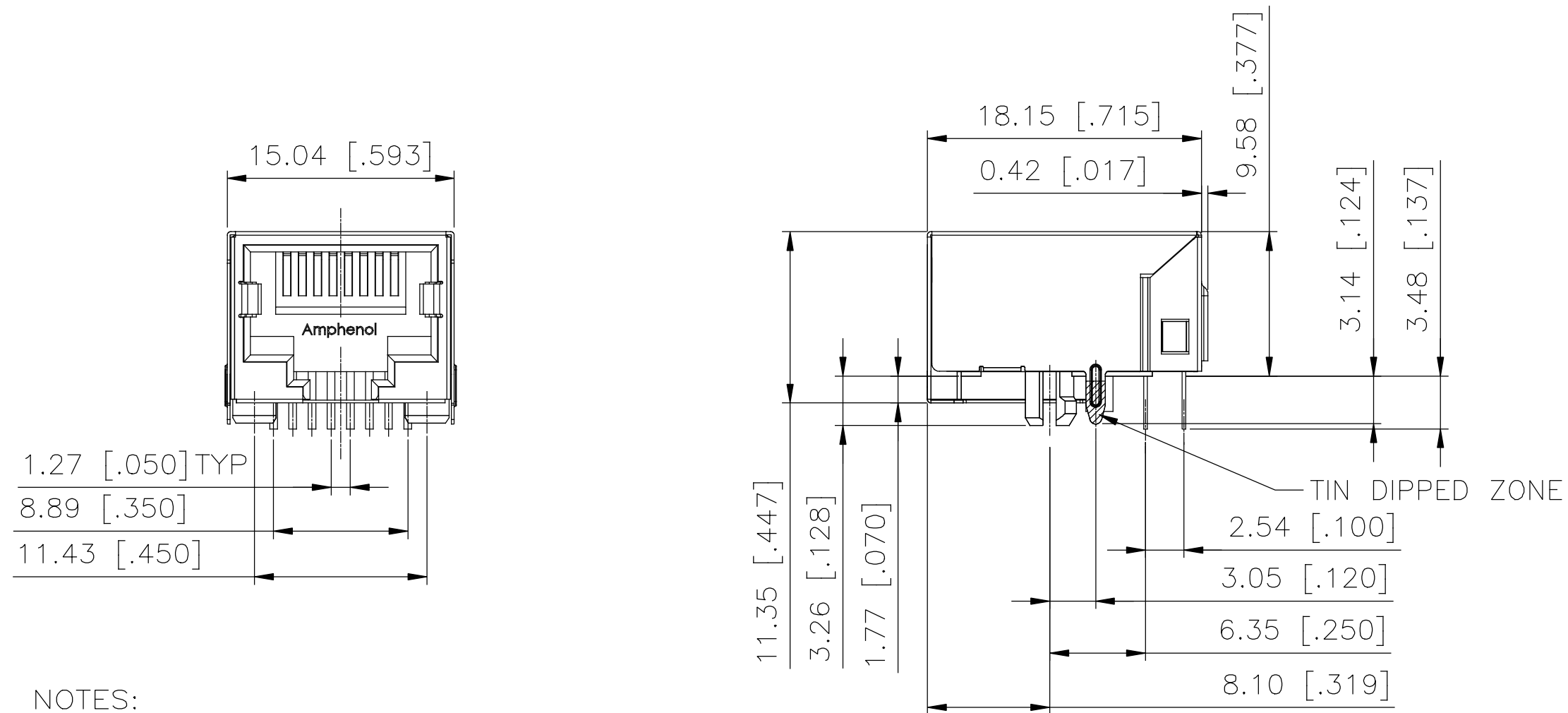
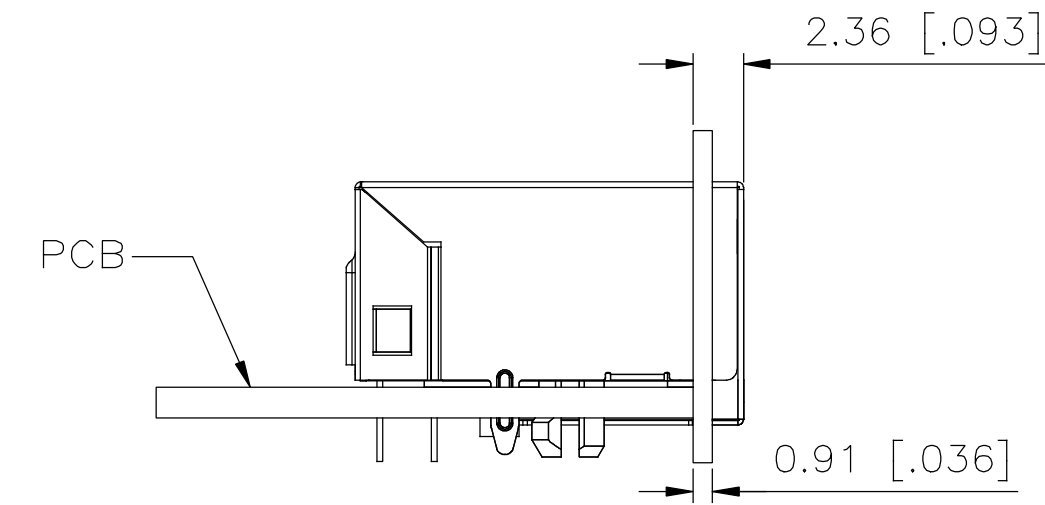
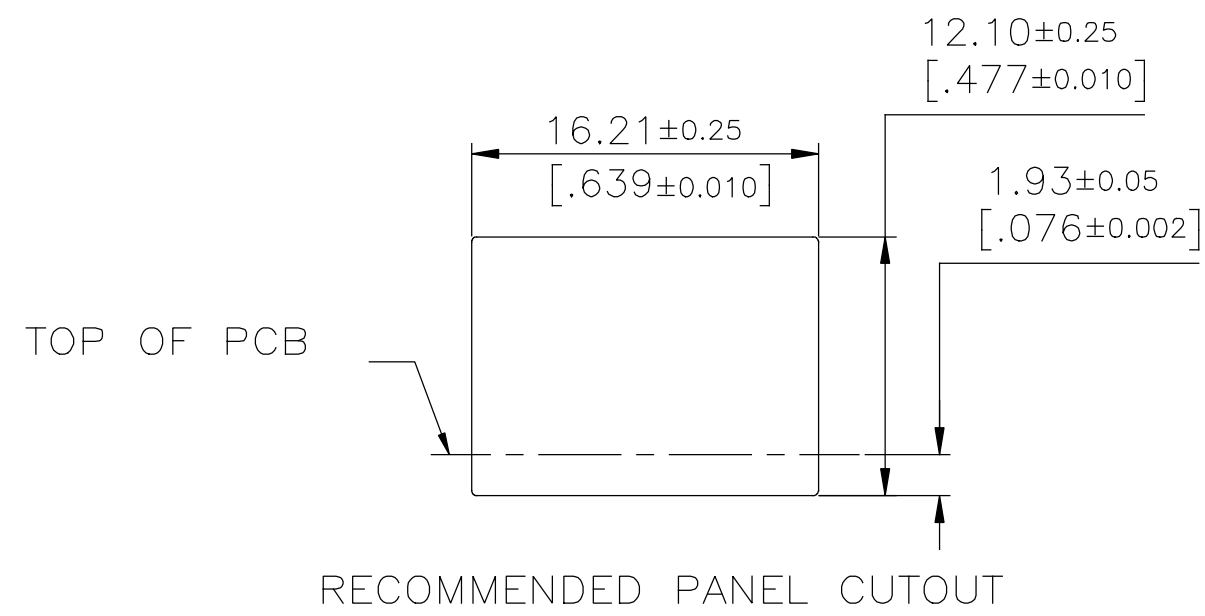
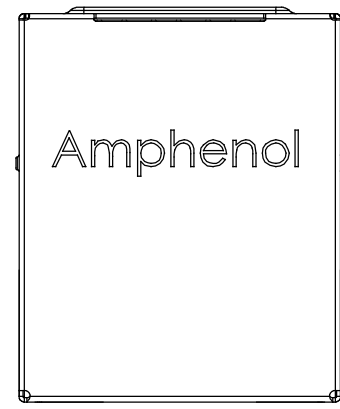


REVISIONS			
REV	DESCRIPTION, ECN, EAR NO.	DATE	APP'D
A	PROPOSAL	SEP.06/13	L.CHAN
B	ADD GENERAL TOLERANCE	FEB.06/14	L.CHAN



NOTES:

MATERIALS:

HOUSING: HIGH TEMPERATURE THERMOPLASTIC.
FLAMMABILITY RATING UL 94V-0

COLOUR: BLACK

CONTACTS: PHOSPHOR BRONZE

PLATING: GOLD PLATING ON MATING SURFACES.
SEE PART NUMBER SYSTEM OPTION
50 u" [1.27 MICRONS] MIN. NICKEL UNDERPLATE.
100 u" [2.54 MICRONS] MIN. MATTE TIN ON
SOLDER AREA.

SHELL: STAINLESS STEEL WITH TIN DIPPED PCB TAILS.

AMPHENOL PART NUMBER: RJULE-4X183-01

CONTACT PLATING CODE

- 0 = GOLD FLASH
- 1 = 15u"
- 2 = 30u"
- 3 = 50u"



UNLESS SPECIFIED OTHERWISE	DRAWN G.HSIA	NOV18/13
PRIMARY UNITS MILLIMETERS	CHECKED	
SECONDARY INCHES	M.E. APP'D	
REFERENCE IN PARENTHESES	Q.A. APP'D	
	DWG APP'D L.CHAN	NOV18/13
	ENG. REL. NO.	
1 DECIMAL PLACE	REF.	
2 DECIMAL PLACES ±0.38		
3 DECIMAL PLACES		
ANGULAR DEGREES		
	THIRD ANGLE PROJECTION	DO NOT SCALE DRAWING

Amphenol Canada Corp. www.amphenolcanada.com			
RJ ULTRA LOW PROFILE MODULAR JACK 8 POSITION, 8 CONTACTS, WITH SHIELD. -RoHS COMPLIANT			
DWG NO. P-RJULE-4X183-01			REV B
CODE ID NO. 03554	DWG SIZE	SCALE	SHEET 1 OF 1