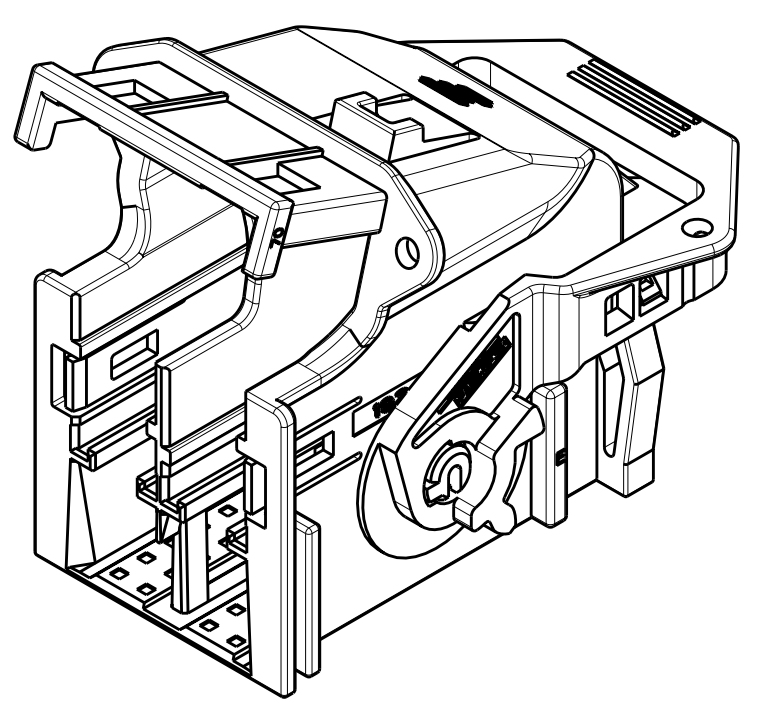
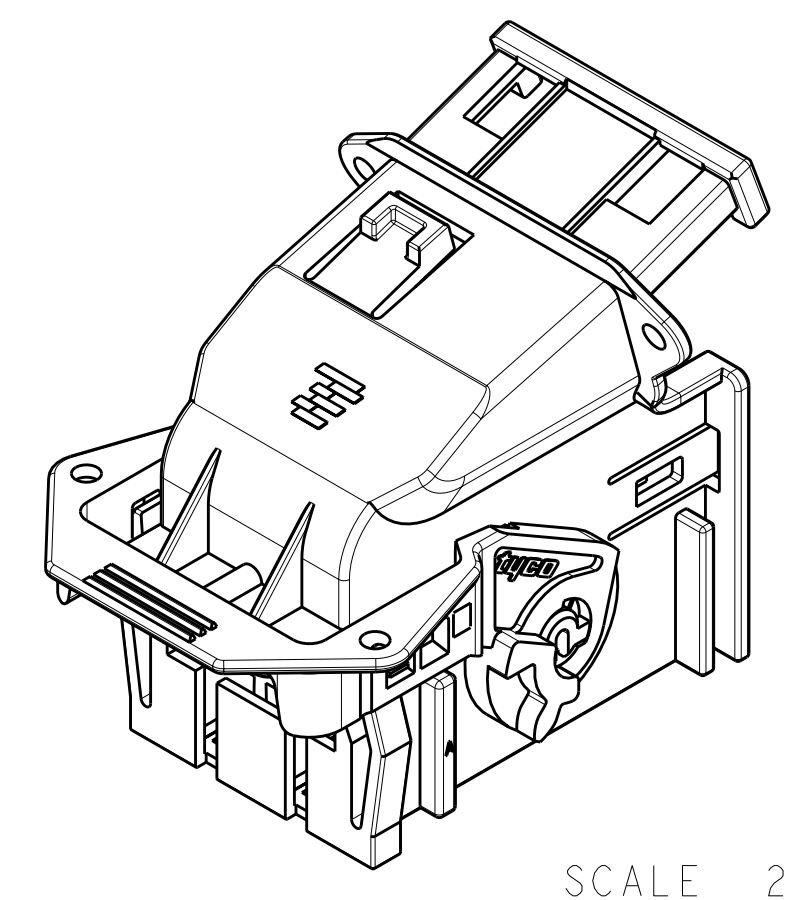
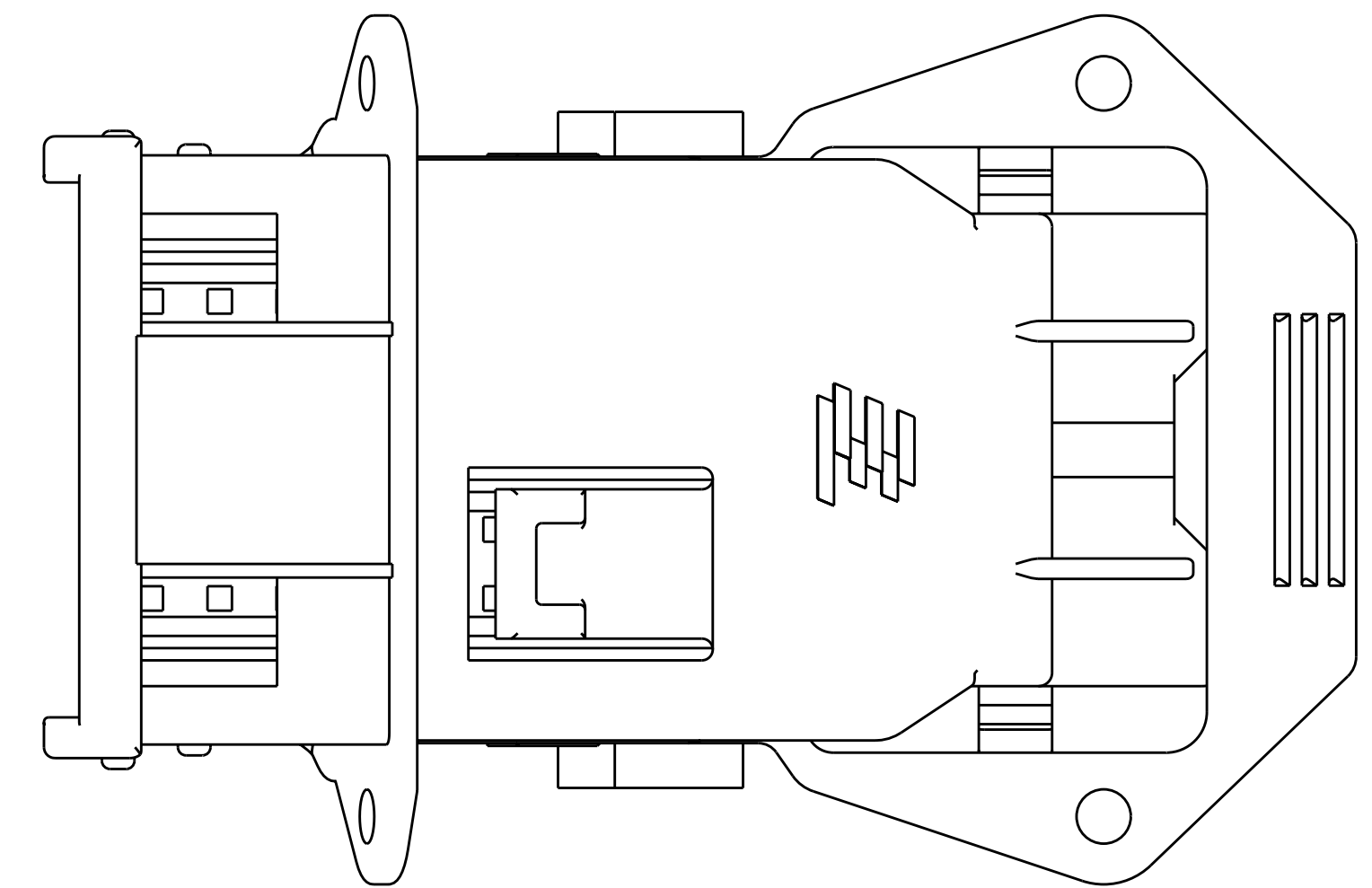


LOC		DIST		REVISIONS			
IN	00	P	LTN	DESCRIPTION	DATE	OWN	APVD
		A		RELEASED PER ECO-08-001177	18JAN2008	RGV	RDH
		A1		REVISED PER ECO-08-018839	31JUL2008	DLD	CJS
		A2		REVISED PER ECO-09-009935	05MAY2009	DLD	JLA

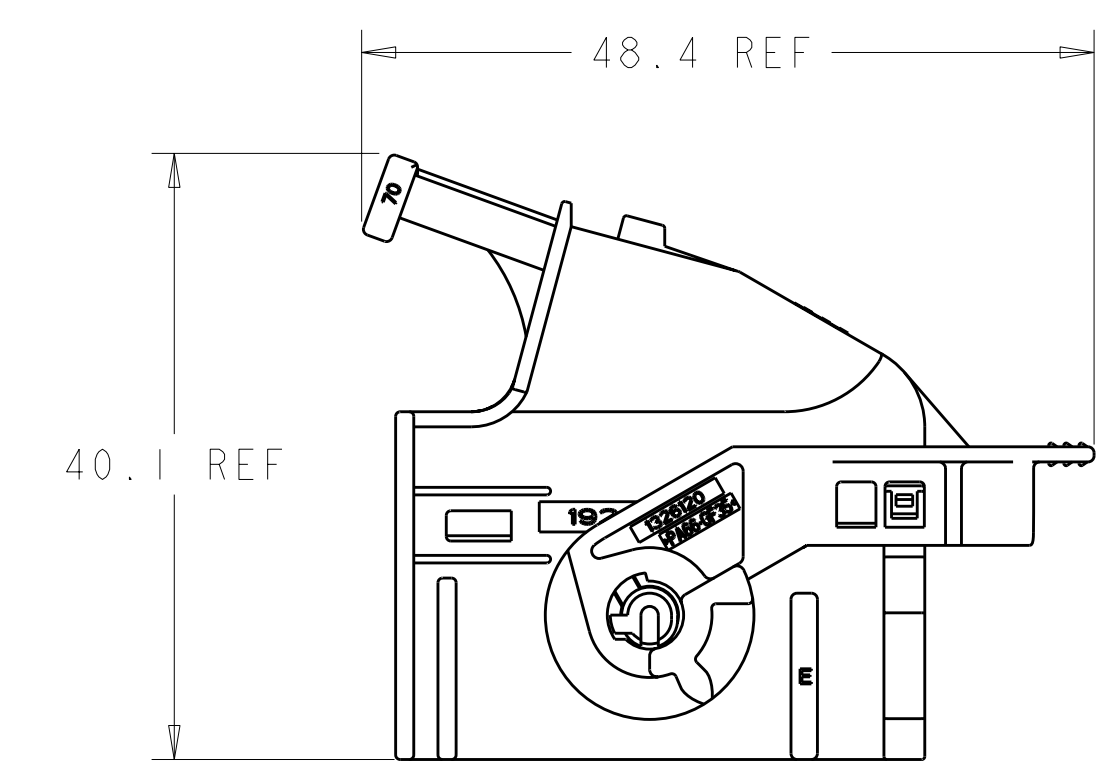
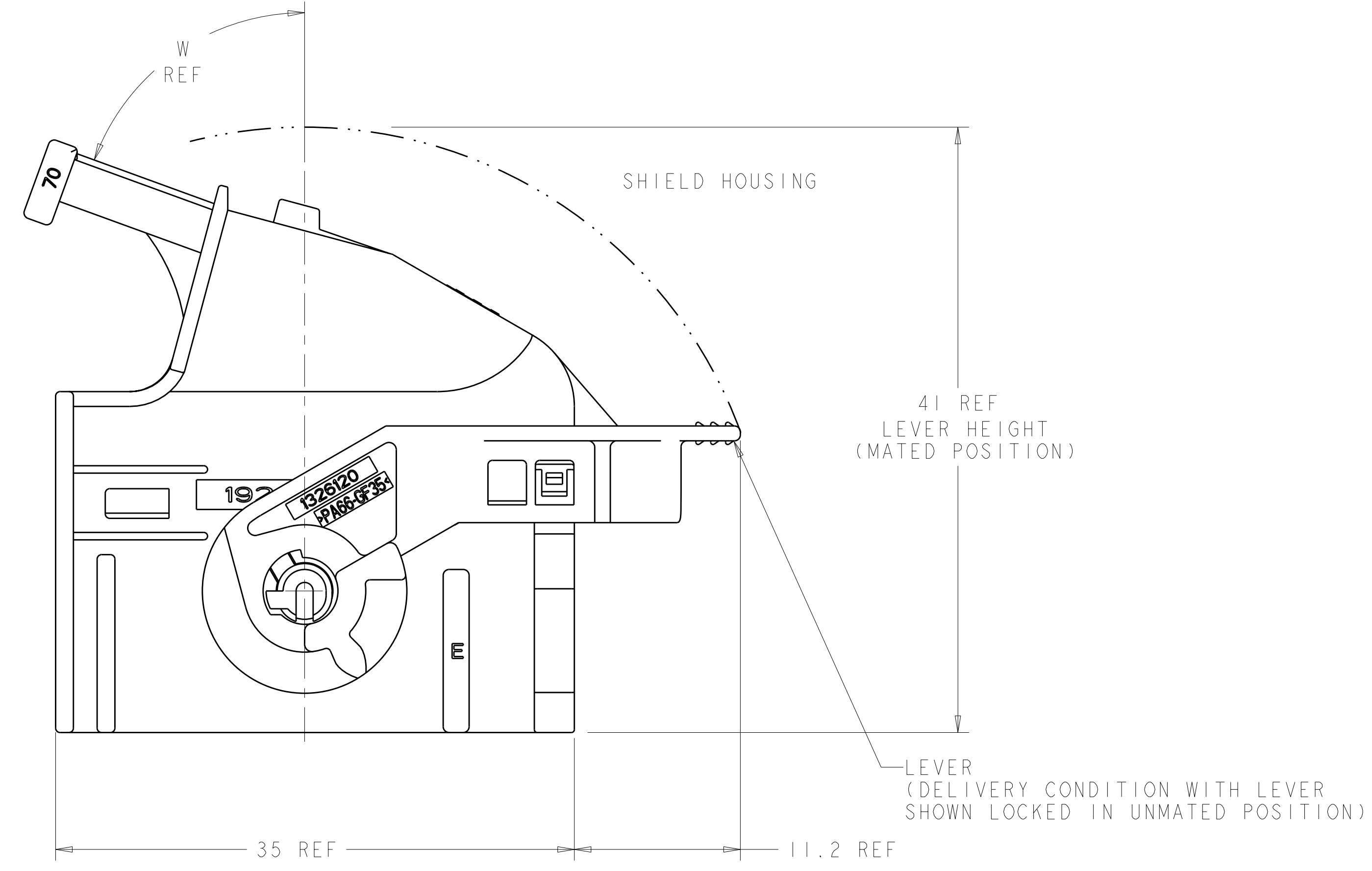
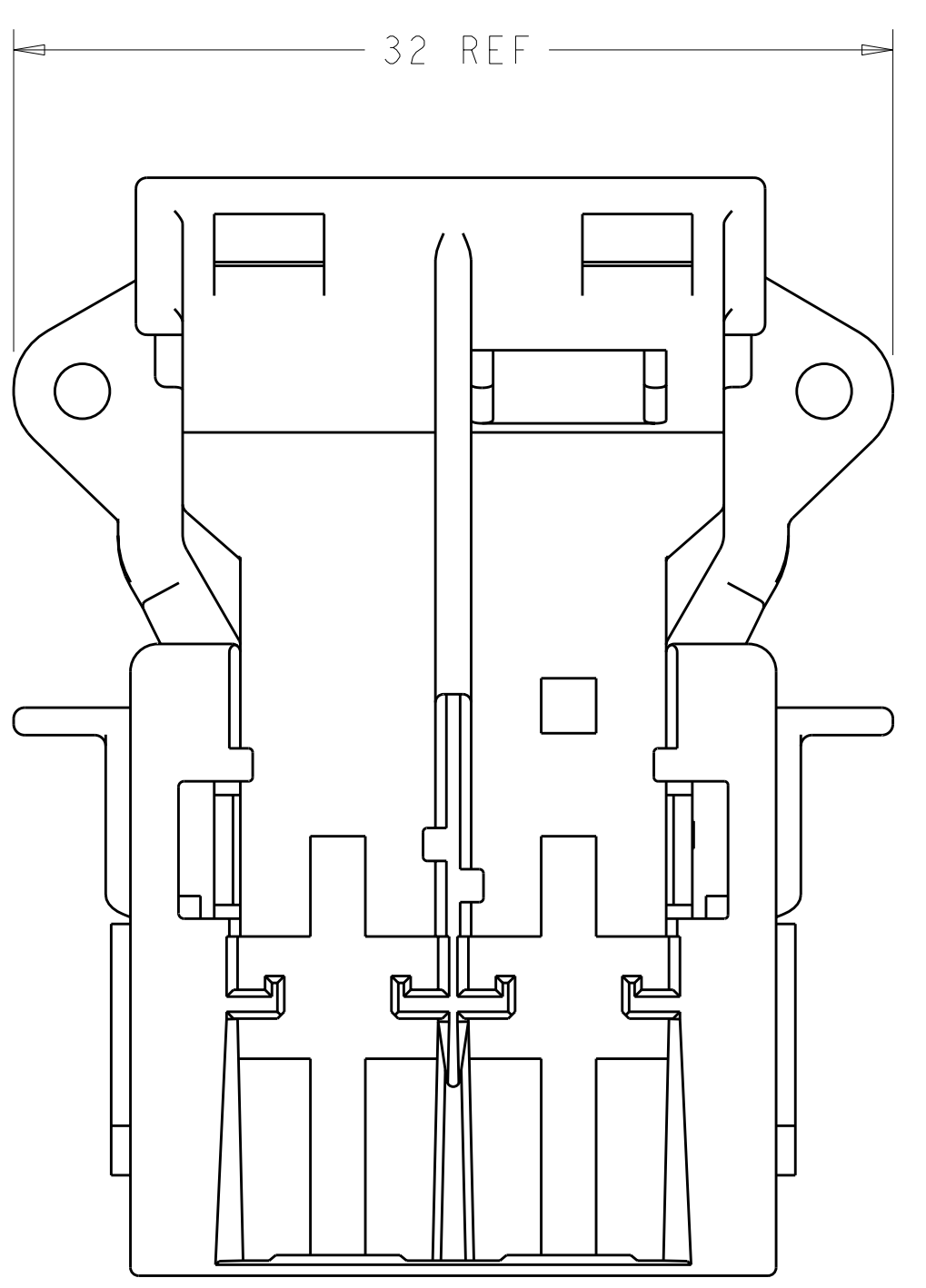


SCALE 2:1

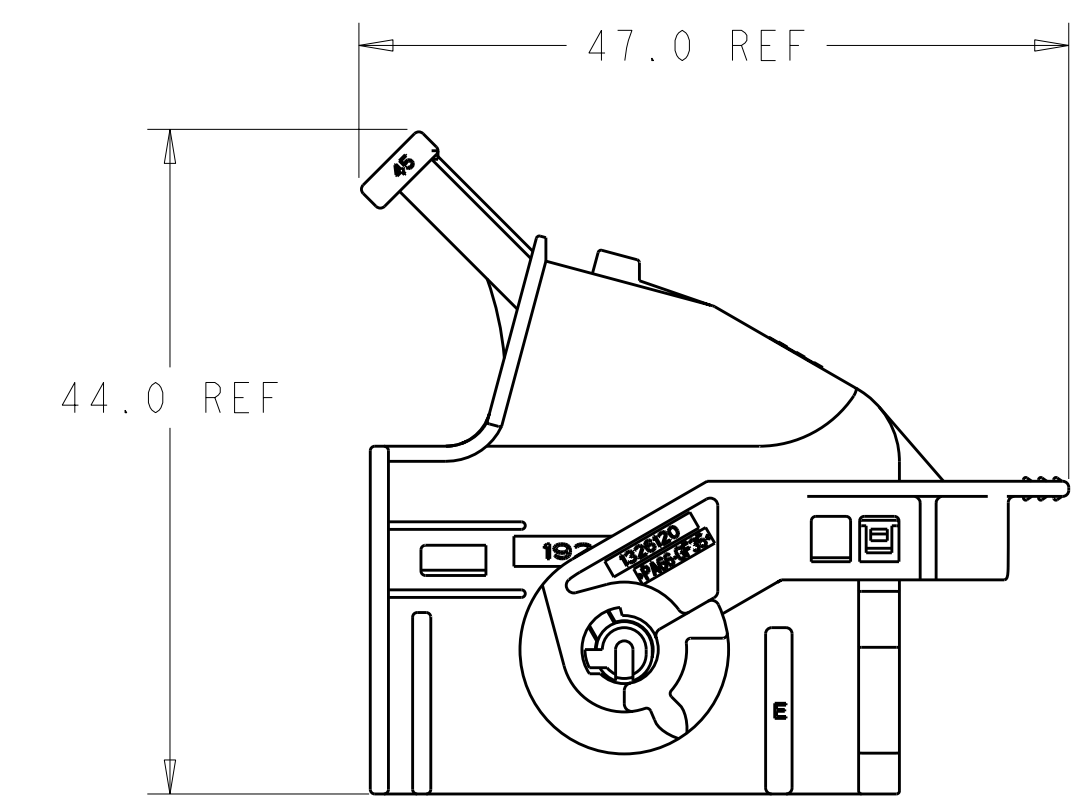


SCALE 2:1

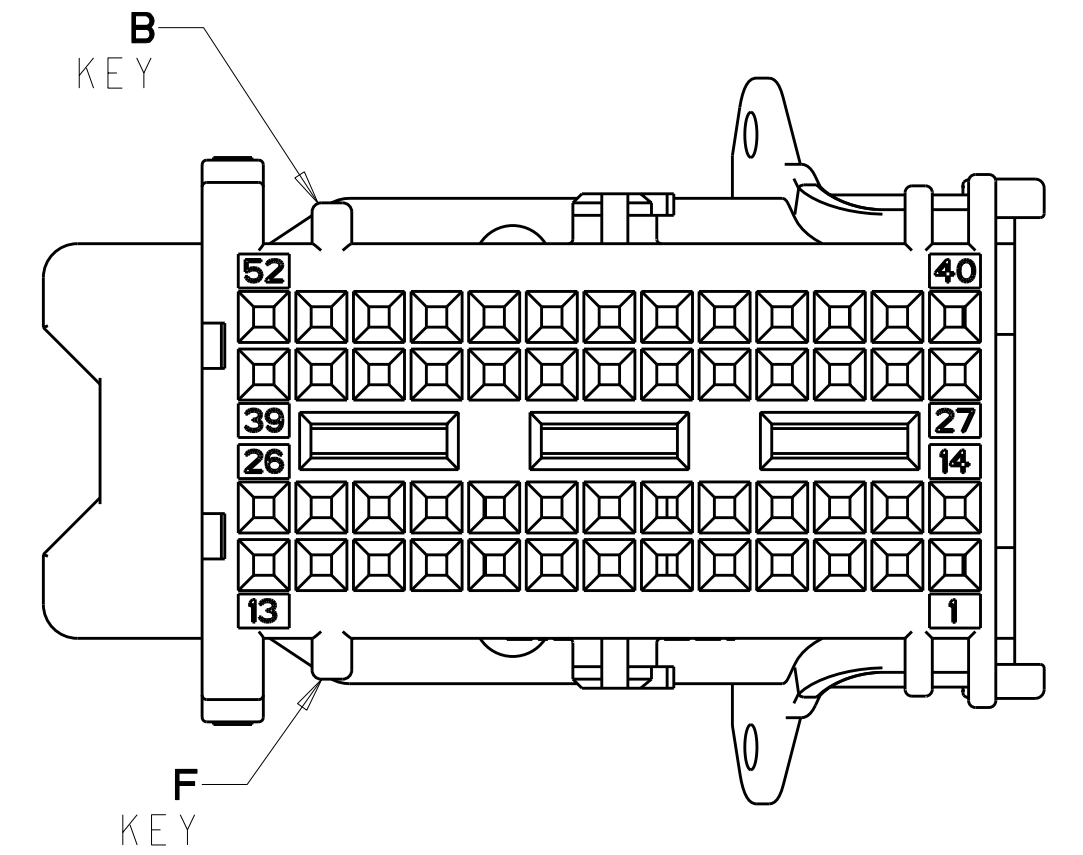
- △ MATERIAL: SHIELD - 35% GLASS REINFORCED NYLON.
SEE TABLE BELOW FOR COLOR.
LEVER - 35% GLASS REINFORCED NYLON.
COLOR: DARK GREY.
- 2. REFERENCE: RECEPTACLE HOUSING, 1924136-1 & 1924136-2,
USED WITH THIS ASSEMBLY.
- 3. REFERENCE: INTERFACE DETAIL PER DRAWING NO.
AAU01000-2962-0010 AND TE DRAWING NO. 1438985-GEN.



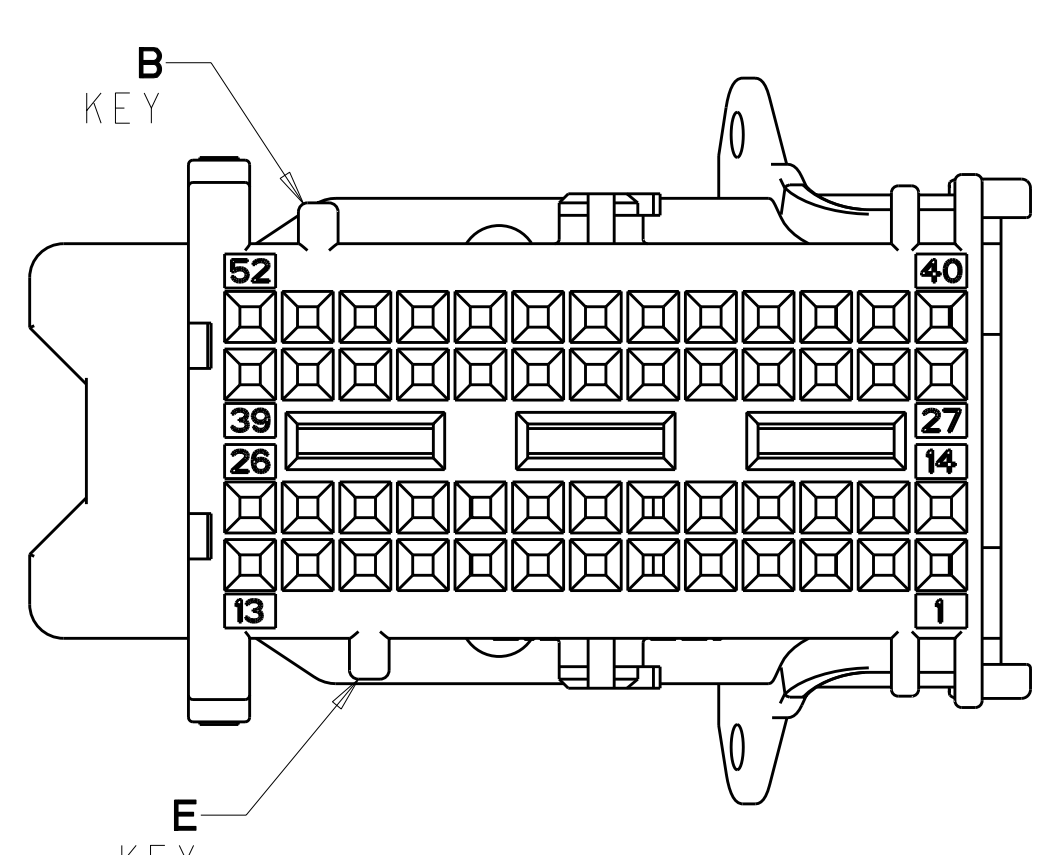
70° WIRE EXIT
SCALE 2:1



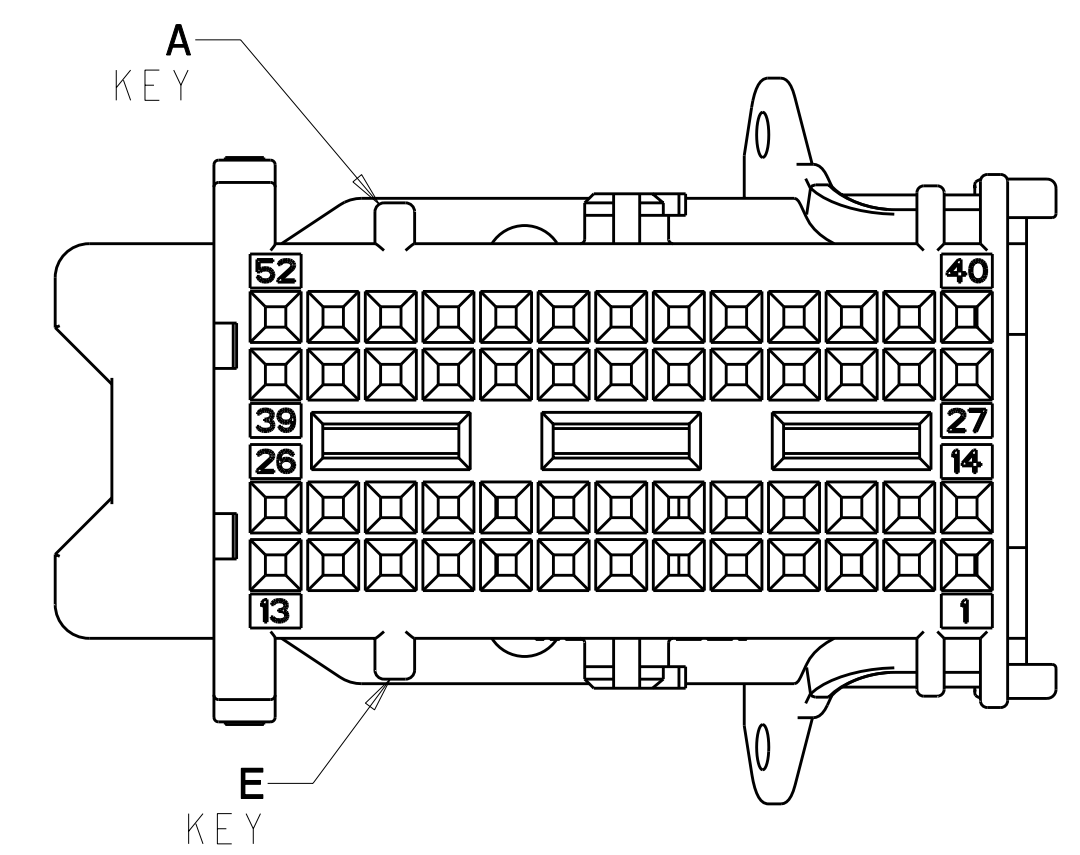
45° WIRE EXIT
SCALE 2:1



KEY B-F SHOWN FOR
ASSEMBLY 1924346-3
& 1924346-6



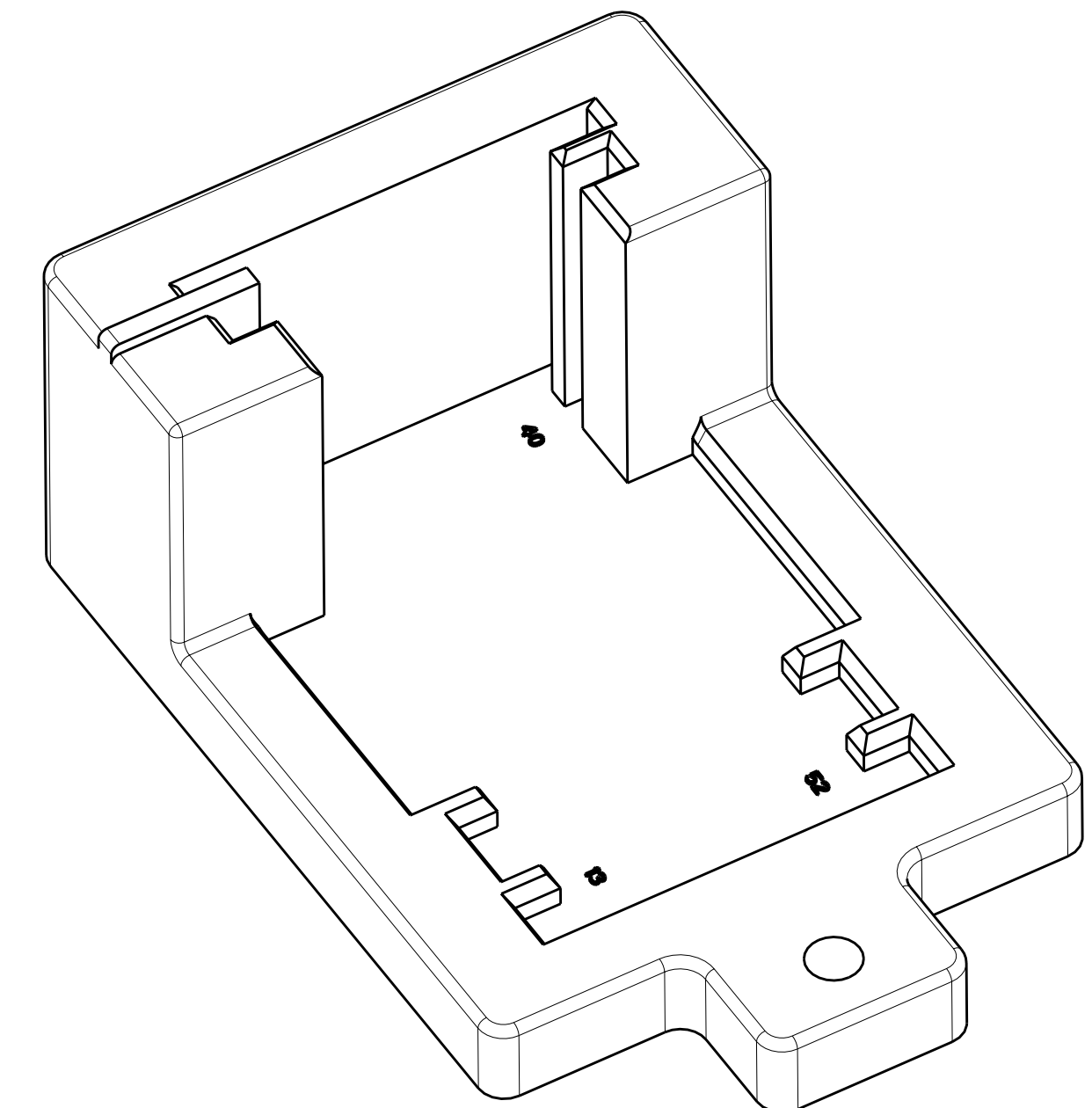
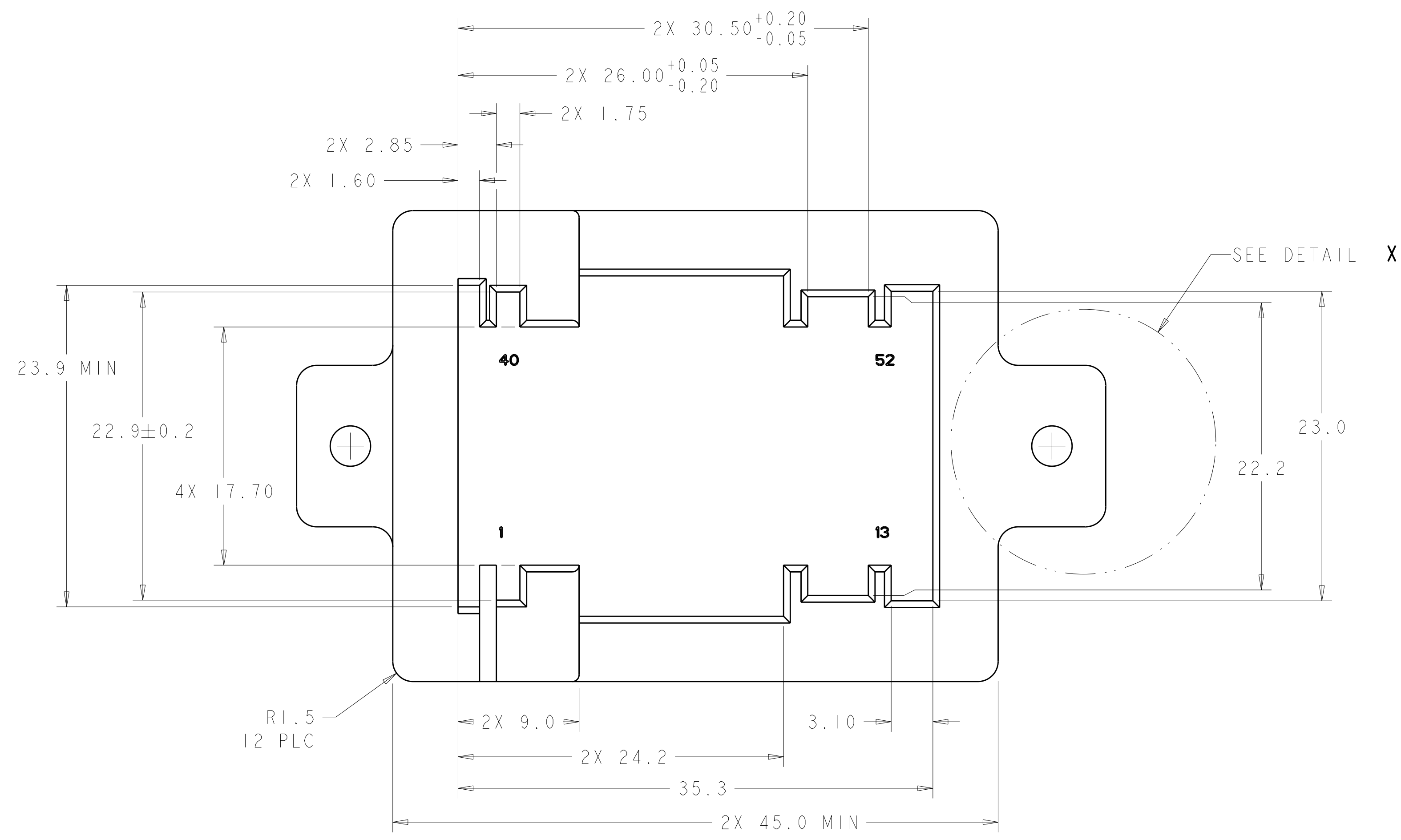
KEY B-E SHOWN FOR
ASSEMBLY 1924346-2
& 1924346-5



KEY A-E SHOWN FOR
ASSEMBLY 1924346-1
& 1924346-4

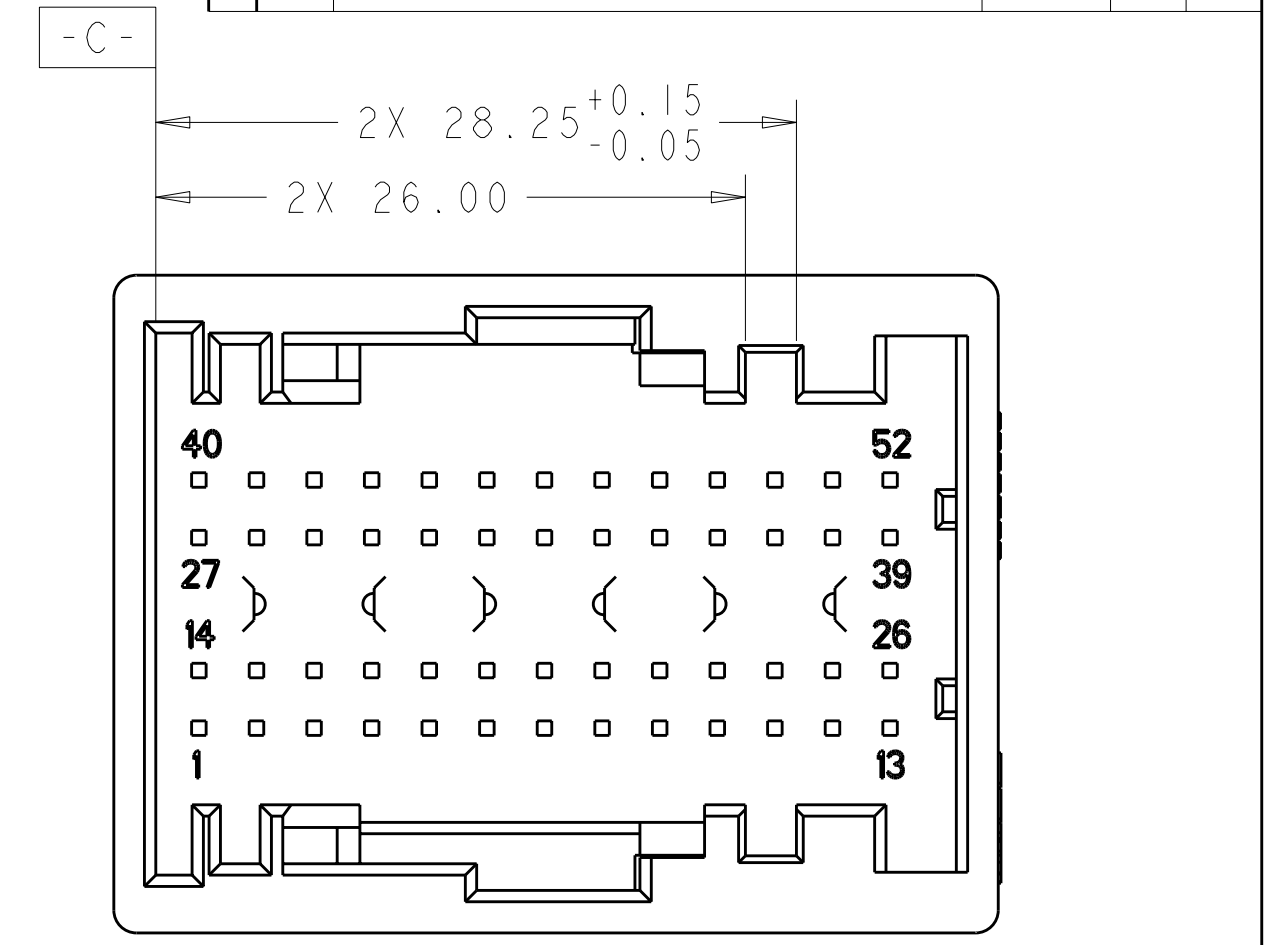
DIM W	COLOR	KEYING OPT.	PART NUMBER
45°	BLUE	B-F	1924346-6
45°	GRAY	B-E	1924346-5
45°	BLACK	A-E	1924346-4
70°	BLUE	B-F	1924346-3
70°	GRAY	B-E	1924346-2
70°	BLACK	A-E	1924346-1

DIMENSIONS: mm 		TOLERANCES UNLESS OTHERWISE SPECIFIED: 9 PLC ± 1 PLC ±0.2 5 PLC ±0.05 4 PLC ± ANGLES ± FINISH		DWN: FOLTZ 24OCT2007 CHK: G. MARTIN 24OCT2007 APVD: G. MARTIN 24OCT2007 NAME: SHIELD ASSEMBLY, 52 POSITION, LEVER ASSISTED, 0.64mm GENERATION Y, CONNECTOR SIZE: CAGE CODE DRAWING NO. RESTRICTED TO: A1 00779 C=1924346 WEIGHT: CUSTOMER DRAWING		Tyco Electronics Harrisburg, PA 17105-3608	
MATERIAL: △		FINISH: -		SCALE: 4:1		SHEET 1 OF 2 REV A2	

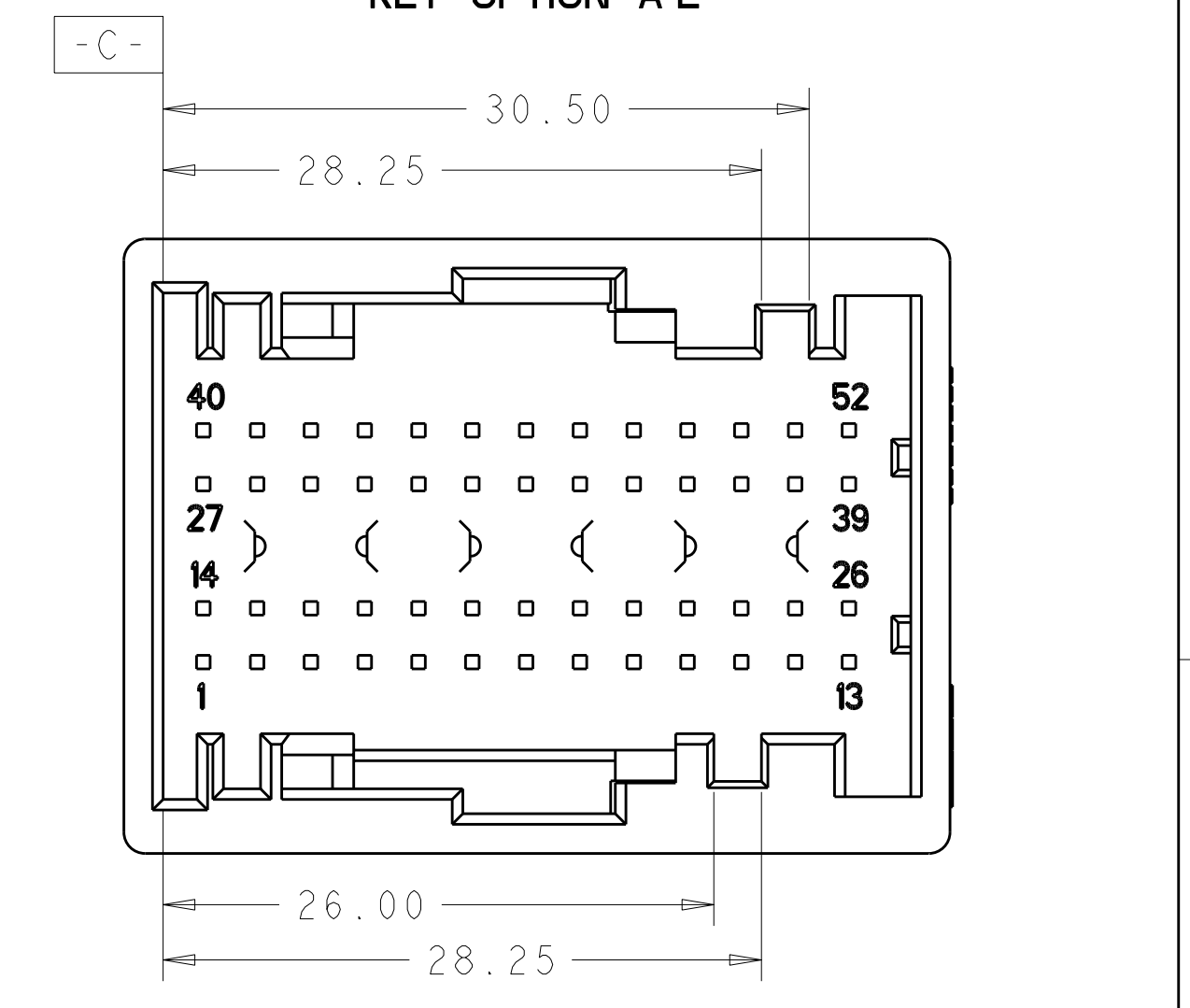


SCALE 3:1

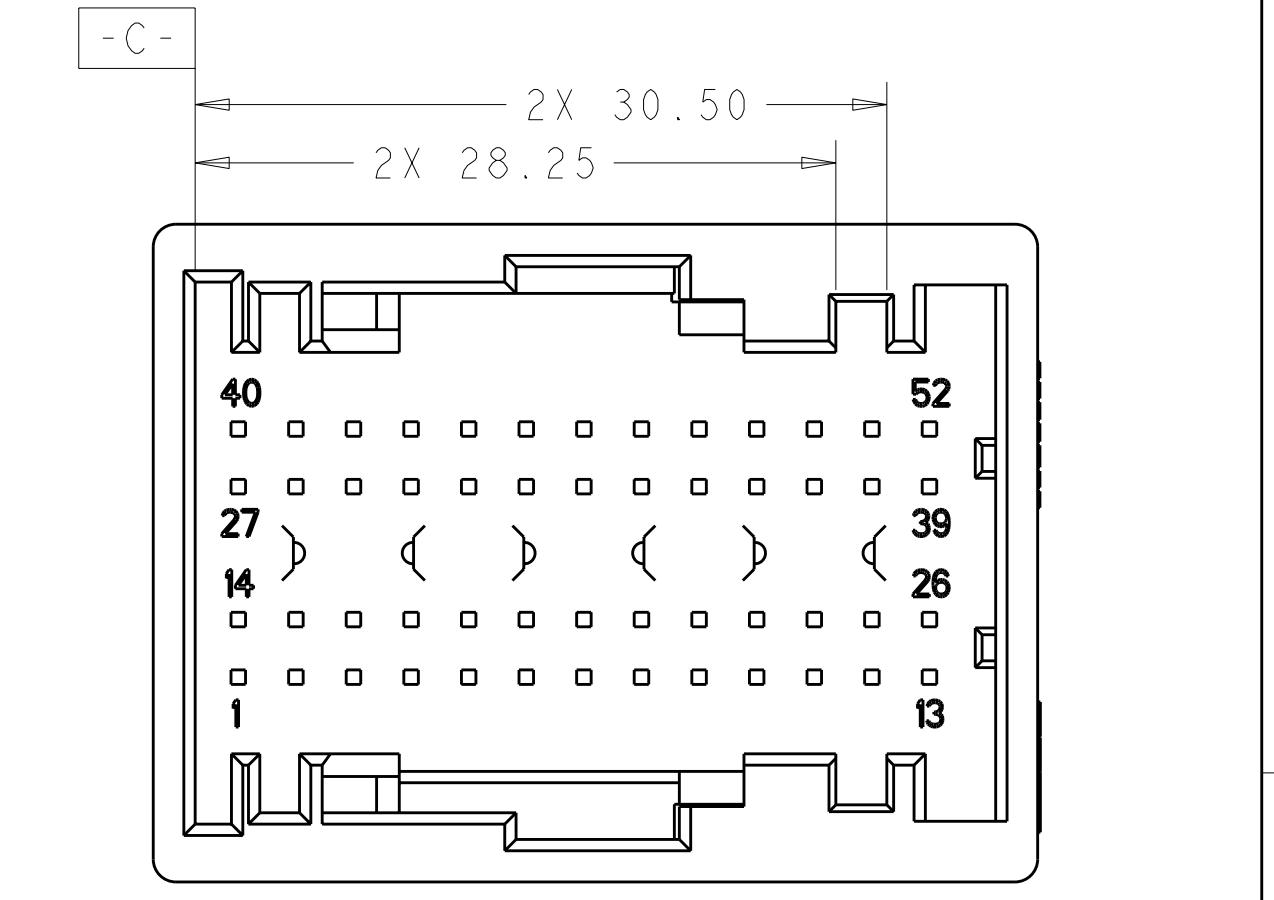
LOC	DIST	REV	DATE	BY	APPD	DESCRIPTION
1N	00					SEE SHEET 1



KEY OPTION A-E

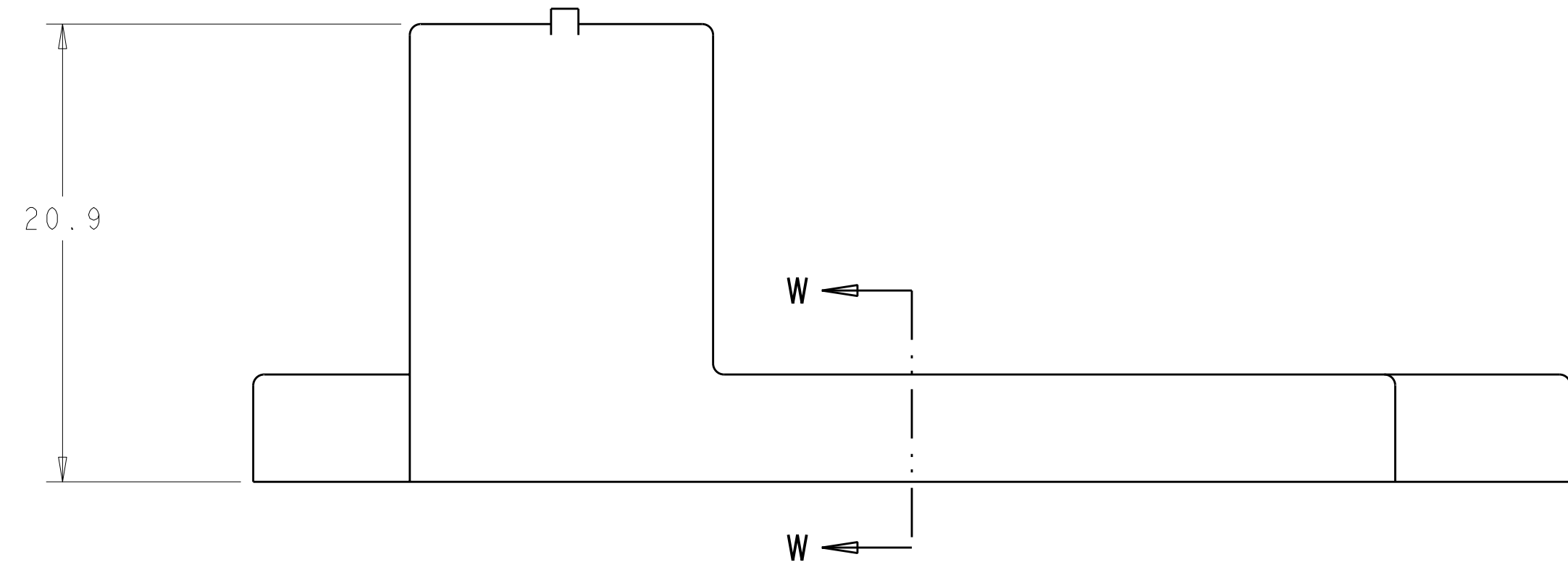


KEY OPTION B-E

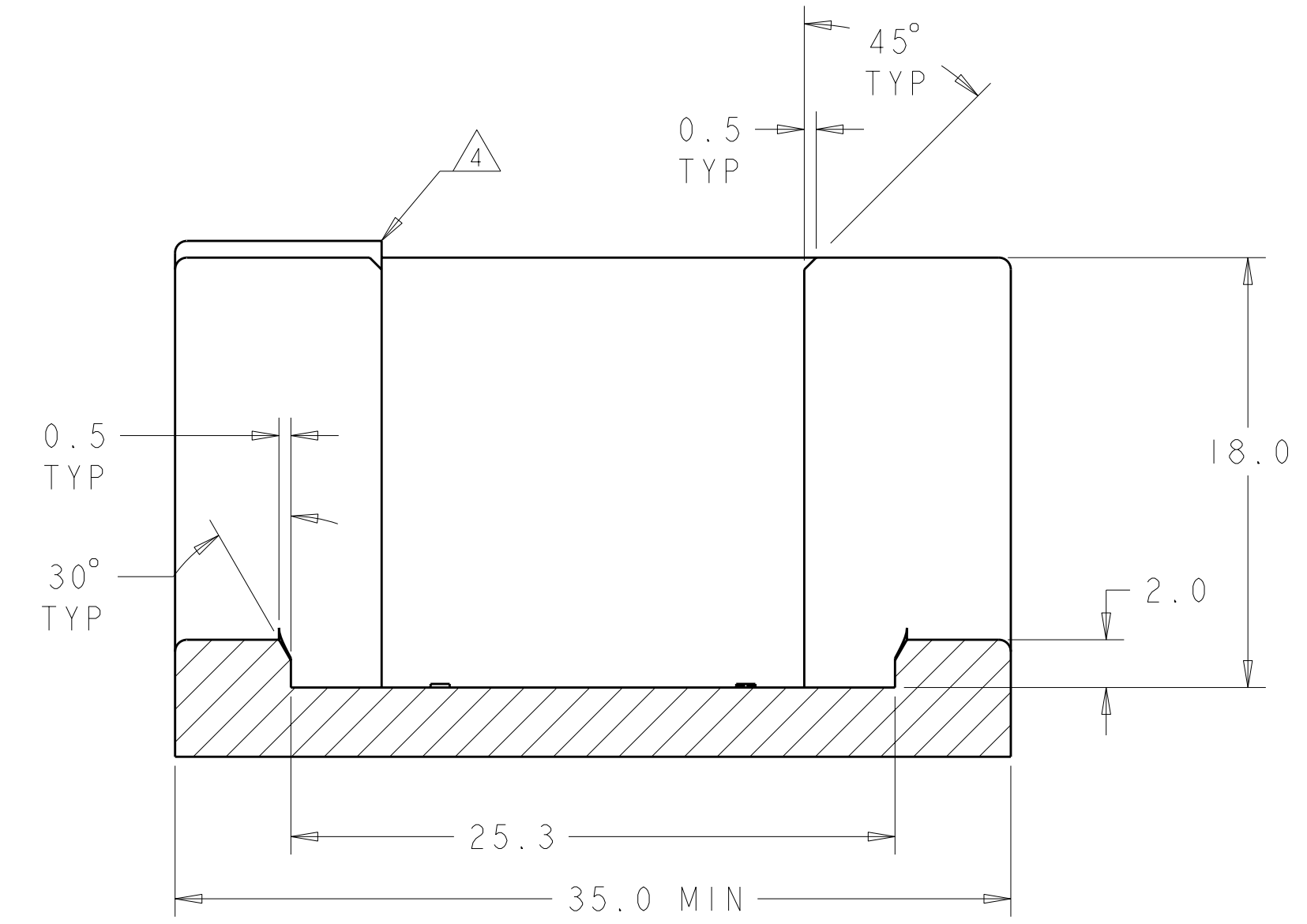


KEY OPTION B-F

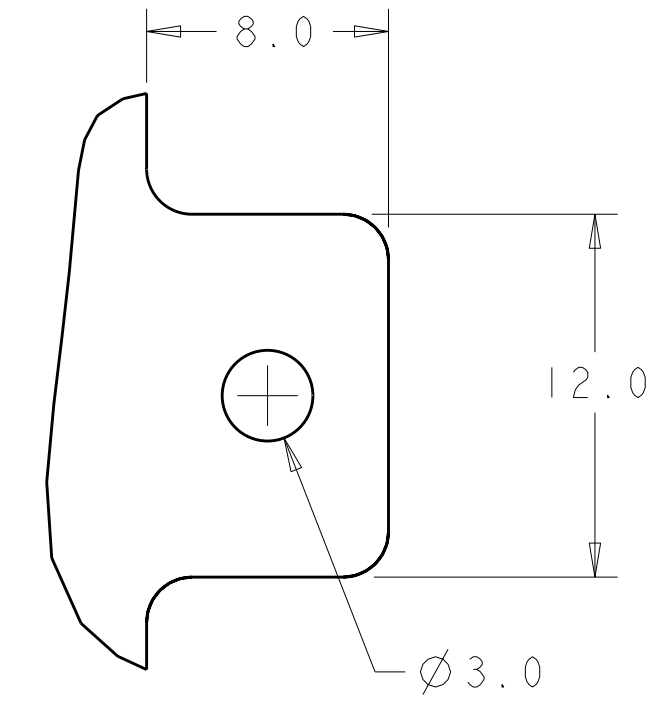
KEYING OPTIONS



52 POSITION CONNECTOR FIXTURE
 (SHOWN WITH CLEARANCE FOR ALL KEY OPTIONS)



SECTION W-W



DETAIL X
 SCALE 4:1

- CONNECTOR FIXTURE SHOULD BE USED TO VERIFY THE RECEPTACLE CARRIER IS PROPERLY SEATED AND LOCKED INTO THE SHIELD ASSEMBLY. THE CONNECTOR WILL NOT FULLY MATE TO THE FIXTURE IF THE RECEPTACLE CARRIER IS OUT OF POSITION.
- RECOMMEND USING A SENSING DEVICE FOR VERIFYING FULLY MATED CONNECTORS. SUCH A DEVICE IS AT THE CUSTOMERS DISCUSSION.
- RECOMMENDED MATERIAL: HARDENED STEEL.
- NO RADII OR CHAMFER PERMITTED IN SPECIFIED AREA. MUST MAINTAIN 90° EDGE.
- RADII TO BE 0.5 UNLESS OTHERWISE SPECIFIED.
- OPTIONAL CONSTRAINT FEATURE.

DIMENSIONS: mm TOLERANCES UNLESS OTHERWISE SPECIFIED: 9 PLC ± 1 PLC ±0.2 3 PLC ±0.05 5 PLC ± 4 PLC ± ANGLES ± FINISH ±1*		DWN: FOLTZ 24OCT2007 CHK: G. MARTIN 24OCT2007 APVD: G. MARTIN 24OCT2007 PRODUCT SPEC: APPLICATION SPEC: WEIGHT: CUSTOMER DRAWING	Tyco Electronics Harrisburg, PA 17105-3608 NAME: SHIELD ASSEMBLY, 52 POSITION, LEVER ASSISTED, 0.64mm GENERATION Y, CONNECTOR SIZE: A11 CAGE CODE: 00779 DRAWING NO: C=1924346 SHEET 2 OF 2 REV A2
--	--	--	---