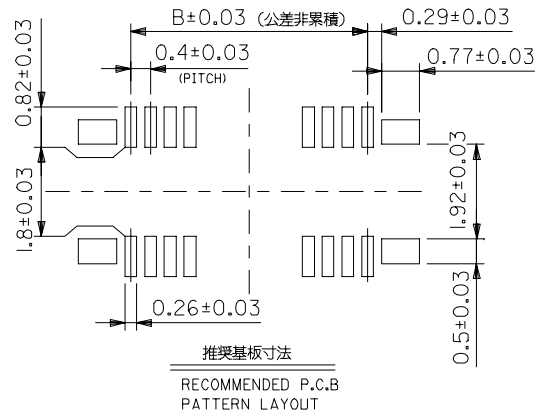
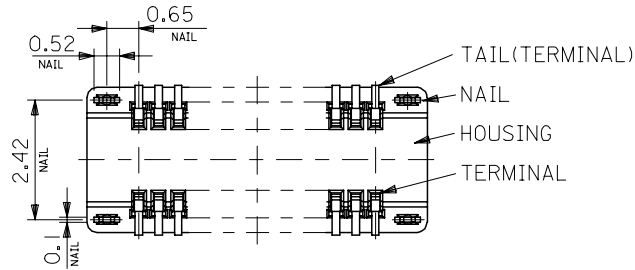
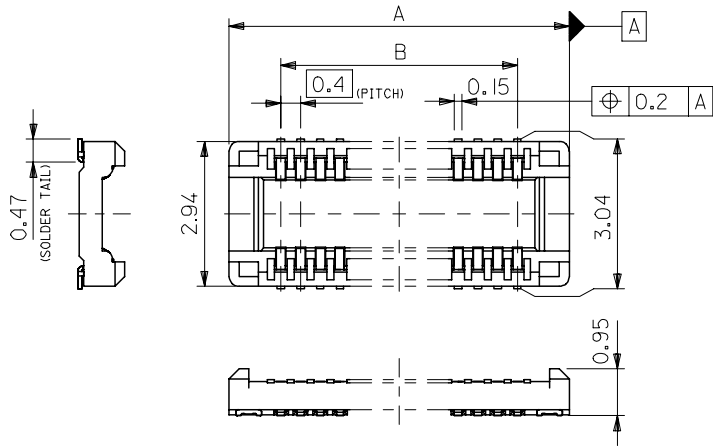


注記
NOTES

1. 材質 MATERIAL
 ハウジング : 液晶ポリマー-UL94V-0 色 : 黒
 HOUSING : LIQUID CRYSTAL POLYMER [LCP]
 UL94V-0, COLOR : BLACK
 ターミナル : 銅合金
 TERMINAL : COPPER ALLOY
 ネール : 銅合金
 NAIL : COPPER ALLOY
2. メッキ仕様 PLATING
 接点部 : 金メッキ 0.1µm
 CONTACT AREA : GOLD PLATING 0.1µm
 半田付け部 : 金メッキ 0.1µm
 SOLDER TAIL AREA : GOLD PLATING 0.1µm
 下地メッキ : ニッケルメッキ 1.0µm
 UNDER PLATING : NICKEL PLATING 1.0µm
 ネール : 錫メッキ 1.0µmMIN.
 NAIL : TIN PLATING 1.0µmMIN.
 下地メッキ : ニッケルメッキ 1.0µmMIN.
 UNDER PLATING : NICKEL PLATING 1.0µmMIN.
3. テール及びネールの平坦度は0.1以下
 TAIL AND NAIL COPLANARITY : 0.1 MAX.
4. 嵌合相手 : 500024 シリーズ。
 MATE WITH : 500024 SERIES.
5. 本製品は500027-***49の黒ハウジングタイプである。
 THIS PRODUCT IS BLACK HOUSING TYPE OF 500027-***49.



17.7	15.6	500027-8099	80
14.5	12.4	500027-6499	64
11.7	9.6	500027-5099	50
6.5	4.4	500027-2499	24
4.9	2.8	500027-1699	16
A	B	MATERIAL No.	CIRCUIT

500027-***99
MODEL NO.

RELEASED EC NO: J2005-2583 DRAWN: K.SUZUKI 2005/03/09 CHK'D: NUKITA 2005/03/10 APPR: NUKITA 2005/03/18	GENERAL TOLERANCES (UNLESS SPECIFIED)		DIMENSION STYLE MM ONLY		SCALE ---	DESIGN UNITS METRIC	THIRD ANGLE PROJECTION	
	10 UNDER	±0.2	DRAWN BY K.SUZUKI	DATE 2005/03/09	TITLE 0.4MM B/B CONN. H=0.95 PLUG HS'G ASS'Y -LEAD FREE-			
	10 OVER 30 UNDER	±0.25	CHECKED BY N. UKITA	DATE 2005/03/09	MOLEX INCORPORATED			
	30 OVER	±0.3	APPROVED BY N. UKITA	DATE 2005/03/09	DOCUMENT NO. SD-500027-031			
	ANGULAR ±3 °		MATERIAL NO. SEE CHART		SHEET NO. 1 OF 2			
DRAFT WHERE APPLICABLE MUST REMAIN WITHIN DIMENSIONS		SIZE A3		THIS DRAWING CONTAINS INFORMATION THAT IS PROPRIETARY TO MOLEX INCORPORATED AND SHOULD NOT BE USED WITHOUT WRITTEN PERMISSION				

10 9 8 7 6 5 4 3 2 1

F

F

E

E

D

D

C

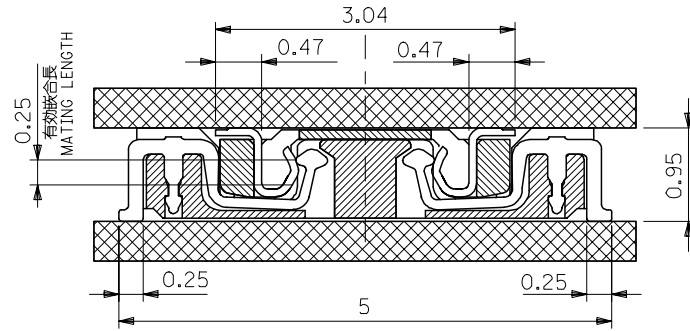
C

B

B

A

A



嵌合断面図 (参考)
MATED DRAWING

RELEASED EC NO: J2005-2583 DRW:KENSUZUKI 2005/03/09 CHK:D:NUKITA 2005/03/10 APPR:NUKITA 2005/03/18	GENERAL TOLERANCES (UNLESS SPECIFIED)		DIMENSION STYLE MM ONLY		SCALE ---	DESIGN UNITS METRIC	THIRD ANGLE PROJECTION	
	10 UNDER	±0.2	DRAWN BY K. SUZUKI	DATE 2005/03/03	TITLE 0.4MM B/B CONN. H=0.95 PLUG HS'G ASS'Y -LEAD FREE-			
	10 OVER 30 UNDER	±0.25	CHECKED BY N. UKITA	DATE 2005/03/03				
	30 OVER	±0.3	APPROVED BY N. UKITA	DATE 2005/03/03	MOLEX INCORPORATED			
	ANGULAR ±3 °		MATERIAL NO.	DOCUMENT NO. SD-500027-031				
DRAFT WHERE APPLICABLE MUST REMAIN WITHIN DIMENSIONS		SEE CHART		THIS DRAWING CONTAINS INFORMATION THAT IS PROPRIETARY TO MOLEX INCORPORATED AND SHOULD NOT BE USED WITHOUT WRITTEN PERMISSION				

9

8

7

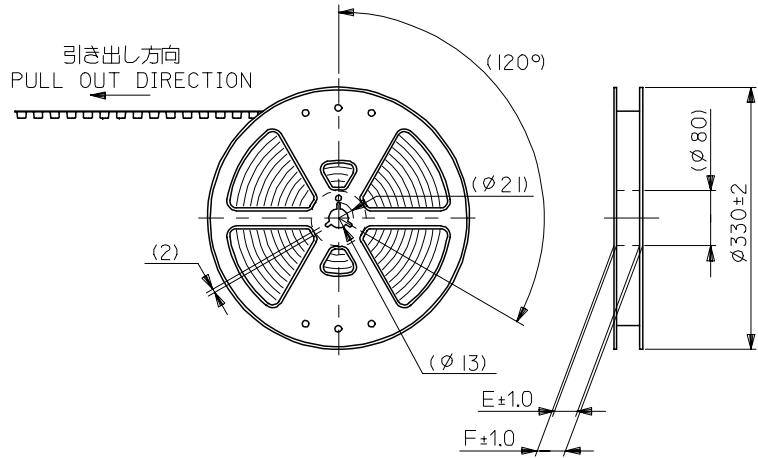
6

5

4

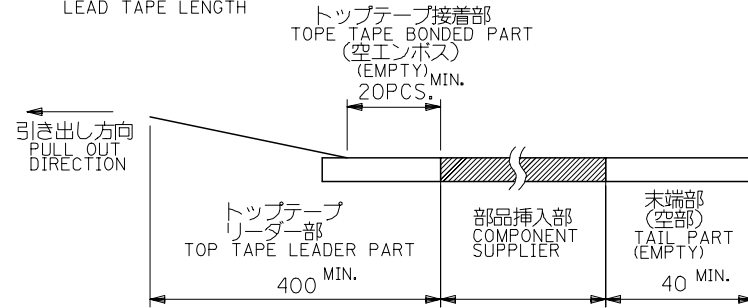
3

2



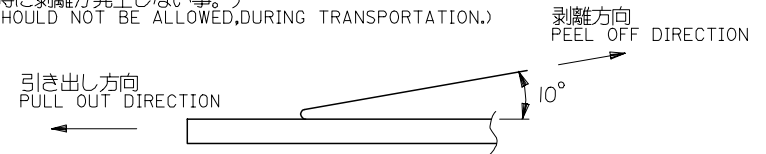
注)
NOTES

- 製品番号 500027-**99 詳細寸法については、製品単体図面を参照下さい。
IN THE PACKAGE PART NUMBER 500027-**99 DETAILED DIMENSIONS, SEE SALES DRAWING FOR CONNECTOR.
- 梱包数量：2000個/リール
NUMBER OF CONNECTORS : 2000 PCS/REEL.
- リードテープ長さ
LEAD TAPE LENGTH



- トップテープの剥離強度：(剥離方向は下図参照)
PEELING OFF FORCE OF TOP TAPE (PELLING DIRECTION AS SHOWN IN FOLLOWING FIGURE.)
0.1~1.3N (10~130gf)

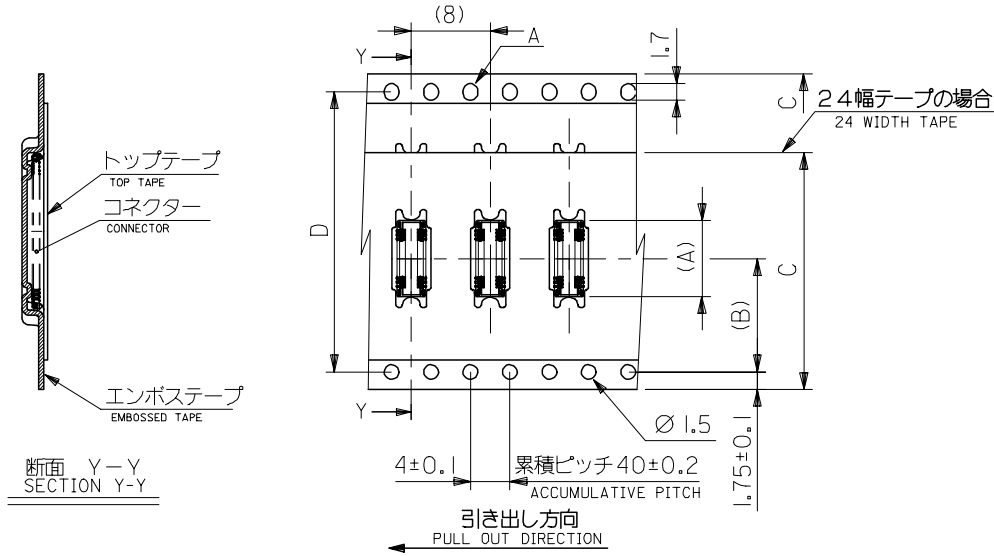
尚、本規格値は、出荷時に適用。
THIS REQUIREMENT SHOULD BE APPLIED AT SHIPMENT.
(但し、輸送時に剥離が発生しない事。)
(PEEL OFF SHOULD NOT BE ALLOWED, DURING TRANSPORTATION.)



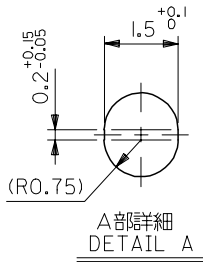
- 材料
MATERIAL
キャリアテープ：ポリプロピレン (PP)
CARRIER TAPE: POLYPROPYLENE (PP)
トップテープ：PET, PE, PEF
TOP TAPE: PET, PE, PEF
リール：ポリスチレン
REEL : POLYSTYRENE
- 本製品は500027-**41の黒ハウジングタイプである。
THIS PRODUCT IS BLACK HOUSING TYPE OF 500027-**41.

500027-**91 MODEL NO.

RELEASED EC NO: J2005-2583 DRAWN: K.SUZUKI 2005/03/09 CHKD: N.UKITA 2005/03/10 APPR: N.UKITA 2005/03/18	GENERAL TOLERANCES (UNLESS SPECIFIED)		DIMENSION STYLE MM ONLY	SCALE ---	DESIGN UNITS METRIC	THIRD ANGLE PROJECTION
	10 UNDER	±0.2	DRAWN BY K. SUZUKI	DATE 2005/03/09	TITLE 500027-**99 TAPING PACKAGE -LEAD FREE-	
	10 OVER 30 UNDER	±0.25	CHECKED BY N. UKITA	DATE 2005/03/09	MOLEX INCORPORATED	
	30 OVER	±0.3	APPROVED BY N. UKITA	DATE 2005/03/09	DOCUMENT NO. SD-500027-032	SHEET NO. 1 OF 2
0	ANGULAR ±3 °	DRAFT WHERE APPLICABLE MUST REMAIN WITHIN DIMENSIONS		SIZE A3	THIS DRAWING CONTAINS INFORMATION THAT IS PROPRIETARY TO MOLEX INCORPORATED AND SHOULD NOT BE USED WITHOUT WRITTEN PERMISSION	



断面 Y-Y
SECTION Y-Y



A部詳細
DETAIL A

500027-**-91							MODEL NO.	(A)	(B)	C	D	E	F	CONNECTOR	MATERIAL No.	CIRCUIT
17.7	14.2	32±0.3	28.4	33.4	37.4	500027-8099	500027-8091	80								
14.5	14.2	32±0.3	28.4	33.4	37.4	500027-6499	500027-6491	64								
11.7	11.5	24±0.3	—#—	25.4	29.4	500027-5099	500027-5091	50								
6.5	11.5	24±0.3	—#—	25.4	29.4	500027-2499	500027-2491	24								
4.9	11.5	24±0.3	—#—	25.4	29.4	500027-1699	500027-1691	16								

RELEASED EC NO: J2005-2583 DRAWN: KENSUJIKI 2005/03/09 CHKD: NUKITA 2005/03/10 APPR: NUKITA 2005/03/18	GENERAL TOLERANCES (UNLESS SPECIFIED)		DIMENSION STYLE MM ONLY		SCALE ---	DESIGN UNITS METRIC	THIRD ANGLE PROJECTION	
	10 UNDER	±0.2	DRAWN BY K. SUZUKI		DATE 2005/03/03		TITLE 500027-**-99 TAPING PACKAGE -LEAD FREE-	
	10 OVER 30 UNDER	±0.25	CHECKED BY N. UKITA		DATE 2005/03/03		APPROVED BY N. UKITA	
	30 OVER	±0.3	APPROVED BY N. UKITA		DATE 2005/03/03		MATERIAL NO. SEE CHART	
	ANGULAR	±3 °	DRAFT WHERE APPLICABLE MUST REMAIN WITHIN DIMENSIONS		DOCUMENT NO. SD-500027-032		SHEET NO. 2 OF 2	