

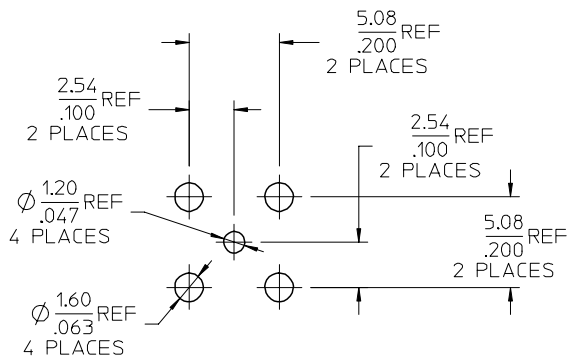
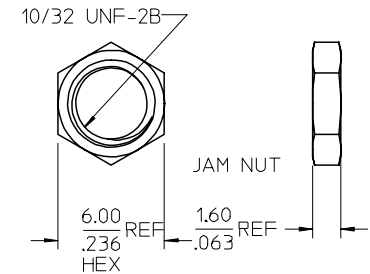
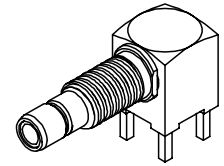
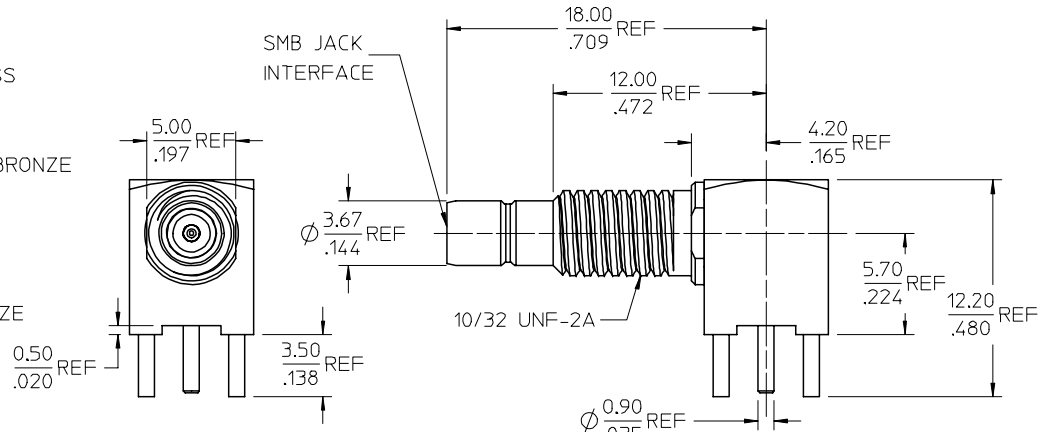
MATERIALS AND FINISHES

BODY, JAM NUT, WASHER BRASS
PLATED GOLD

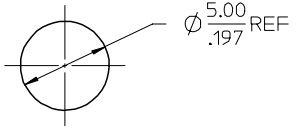
CENTER CONTACT PHOSPHOR BRONZE
PLATED GOLD

INSULATOR TEFLON

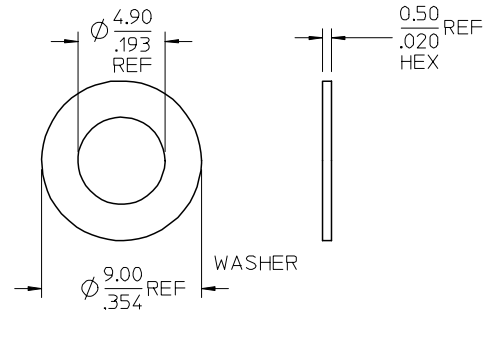
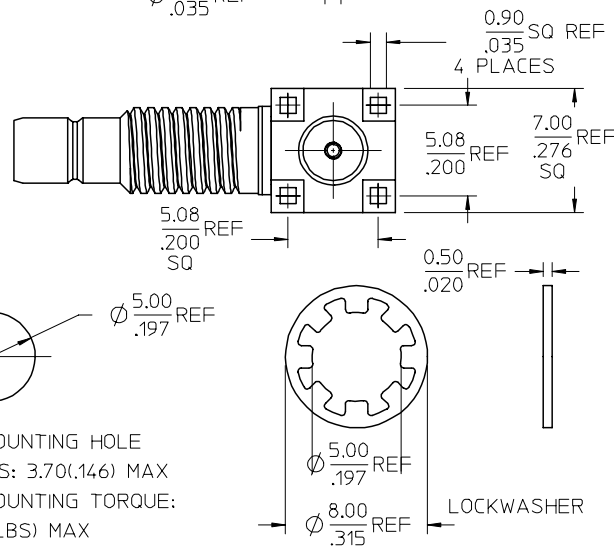
LOCKWASHER PHOSPHOR BRONZE
PLATED GOLD



RECOMMENDED PCB HOLE



RECOMMENDED MOUNTING HOLE
PANEL THICKNESS: 3.70(.146) MAX
RECOMMENDED MOUNTING TORQUE:
0.51 N-m(4.50 IN-LBS) MAX



NOTE:
RF LEAKAGE AND VSWR ARE NOT
APPLICABLE IN 73598-0099

73396-0570	SMALL TRAY PACKING
73404-2270	73100-0097, ONE PER BAG
73100-0097	PLASTIC TRAYS
PART NO.	PACKAGING

MIL-STD-348A, FIG 311.1	INTERFACE
PS-73598-0099	PRODUCT SPECIFICATION
SPECIFICATION	DESCRIPTION

CHG: ADD NOTE
73396-0570 SMALL
TRAY PACKING
FC NO: URF2008-0101
DRAWN: SCHOU 2007/08/28
CHKD: 2007/08/28
APPR: MJIANG 2007/08/29
REV DESCRIPTION

QUALITY SYMBOLS
 =0
 =0

GENERAL TOLERANCES (UNLESS SPECIFIED)	
mm	INCH
4 PLACES ±	±
3 PLACES ±	±
2 PLACES ±	±
1 PLACE ±	±
ANGULAR ± 2 °	

DIMENSION STYLE
MM/IN
DRAWN BY DATE
MART IN 1993/07/29
CHECKED BY DATE
APPROVED BY DATE

SCALE DESIGN UNITS
THIRD ANGLE PROJECTION

TITLE
SMB JACK R/A PCB, 50 OHMS
SMB-J/RA/PCB

MATERIAL NO. DOCUMENT NO. SHEET NO.
MOLEX INCORPORATED SD-73100-0097 1 OF 1

DRAFT WHERE APPLICABLE
MUST REMAIN
WITHIN DIMENSIONS

SEE TABLE
THIS DRAWING CONTAINS INFORMATION THAT IS PROPRIETARY TO MOLEX
INCORPORATED AND SHOULD NOT BE USED WITHOUT WRITTEN PERMISSION