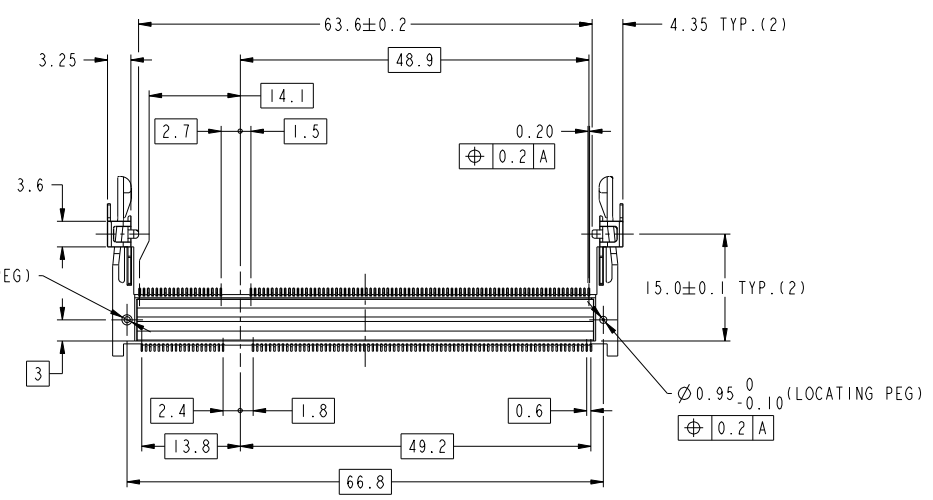
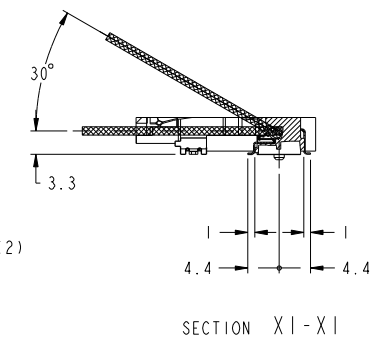
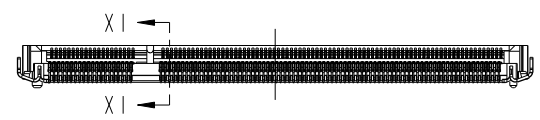
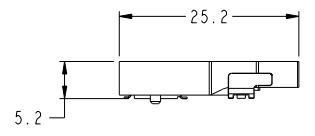
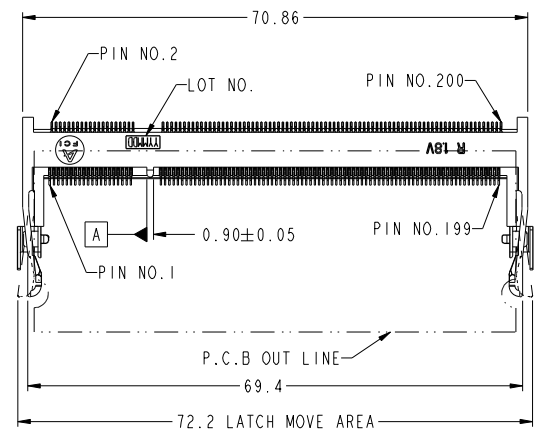


PRODUCT NO.  
10117865-\*52\*\*



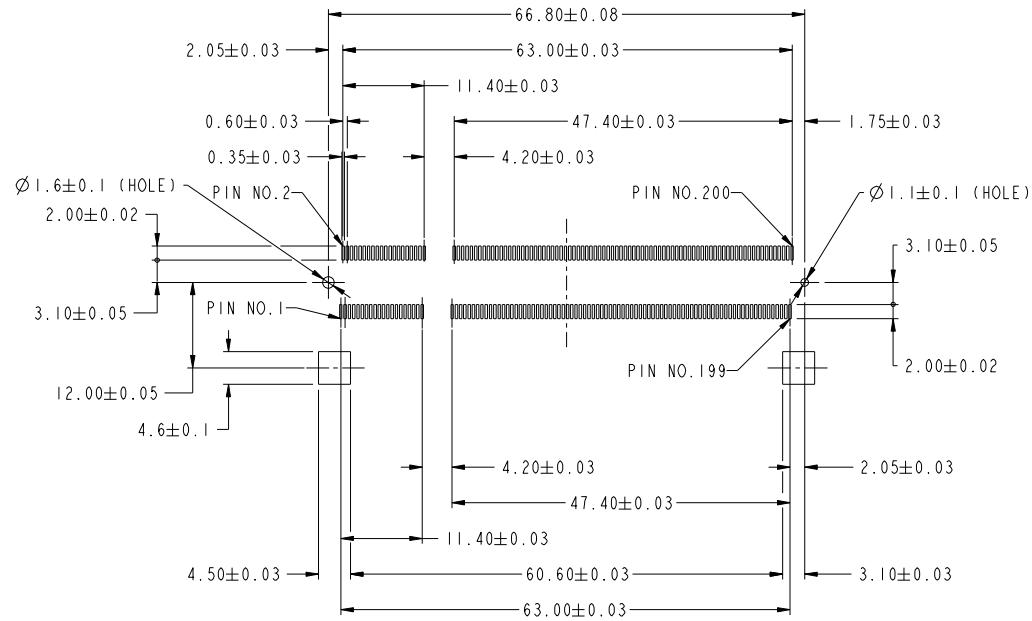
- NOTE
1. PRODUCT SPEC. : GS-12-195
  2. PACKAGING SPEC. : GS-14-786
  3. MATERIAL:  
1) HOUSING : LCP, UL94V-0, COLOR BLACK  
2) CONTACT : COPPER ALLOY  
3) HOLD DOWN : BRASS
  4. FINISH  
1) TERMINAL : SEE TABLE  
2) HOLD DOWN : SEE TABLE
  5. CO-PLANARITY : 0.1 MAX. (INCLUDE HOLD DOWN)
  6. THIS PRODUCT MEETS EUROPEAN UNION DIRECTIVES AND OTHER COUNTRY REGULATIONS AS DESCRIBED IN GS-22-008.
  7. THE HOUSING WILL WITHSTAND EXPOSURE TO 260° PEAK TEMPERATURE FOR 10 SECONDS IN A REFLOW SOLDER APPLICATION.

Copyright FCI

www.fciconnect.com				surface ASME Y14.5	tolerance std ASME Y14.5	projection	MM
TOLERANCES UNLESS OTHERWISE SPECIFIED				ANGULAR	LINEAR	size	Scale
				0° ±5°	0.x ±0.3	A2	2:1
				0.xxx ±0.15	0.xxx ±0.08	ECN	DG11-0085
				Product family	SO-DIMM	Spec ref	RELEASED
FCI				DDR II 0.6mm PITCH 200 POS.	cat no	10117865	Rev.
				REVERSE TYPE ASS'Y	customer copy	sheet 1 of 4	A

PRODUCT NO.

10117865-\*52\*\*



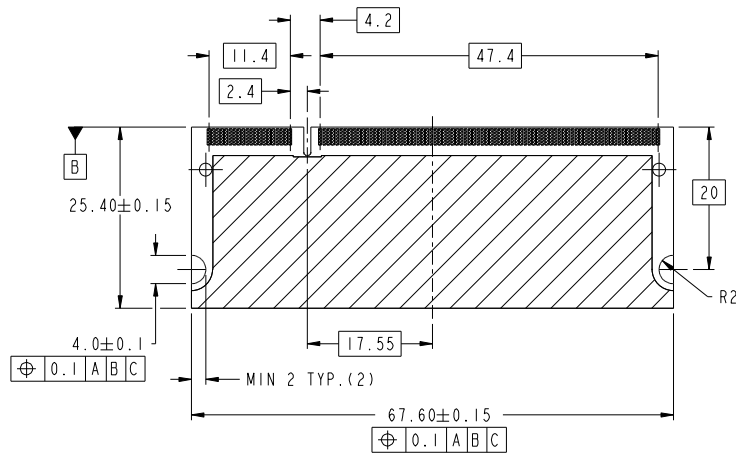
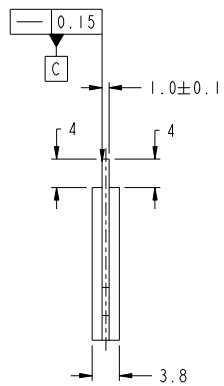
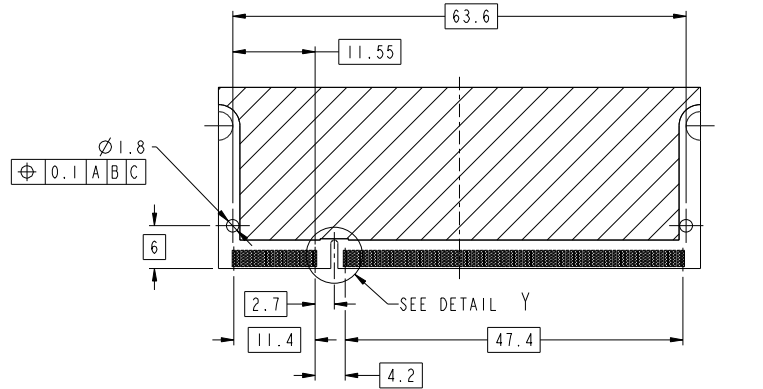
RECOMMENDED MOUNTING P.C.B. LAYOUT

Copyright FCI.  
FCI

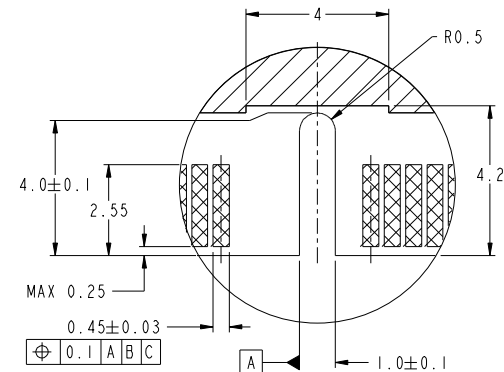
	FILE	DDR II 0.6mm PITCH 200 POS.	diag no	10117865	Rev.	A
	TITLE	REVERSE TYPE ASS'Y				
	CATALOG NO		CUSTOMER COPY	sheet 2 of 4		

PRODUCT NO.

10117865-\*52\*\*



RECOMMENDED MODULE P.C.B LAYOUT



DETAIL Y  
SCALE 10:1

Copyright FCI.  
FCI

FCI	TITLE	DDR 11 0.6mm PITCH 200 POS.	diag no	10117865	Rev.	A
	REVERSE TYPE ASS'Y		CUSTOMER COPY	sheet 3 of 4		
	CATALOG NO					

PDM: Rev:A

STATUS Released

Printed: Apr 22, 2011

	1	2	3	4	5	6	7	8
	PRODUCT NO.	LOCATING PEG	TERMINAL CONTACT AREA FINISH	HOLD DOWN FINISH	SOLDER TAIL FINISH			
A	10117865-052FSLF	YES	Au FLASH	Pure Sn PLATING	Au FLASH	10117865-	□ □ □ □ □ LF	
	10117865-152FSLF	NO						
	10117865-052TSLF	YES	Au 0.3μm MIN.					
	10117865-152TSLF	NO						
	10117865-052ASLF	YES	Au 0.76μm MIN.					
	10117865-152ASLF	NO						
B	10117865-052FB	YES	Au FLASH	Sn-Pb PLATING				
	10117865-152FB	NO						
	10117865-052TB	YES	Au 0.3μm MIN.					
	10117865-152TB	NO						
	10117865-052AB	YES	Au 0.76μm MIN.					
	10117865-152AB	NO						
C	10117865-252FSLF	YES	Au FLASH	Pure Sn PLATING	Pure Sn PLATING			
	10117865-352FSLF	NO						
	10117865-252TSLF	YES	Au 0.3μm MIN.					
	10117865-352TSLF	NO						
	10117865-252ASLF	YES	Au 0.76μm MIN.					
	10117865-352ASLF	NO						
	10117865-252FB	YES	Au FLASH	Sn-Pb PLATING				
	10117865-352FB	NO						
	10117865-252TB	YES	Au 0.3μm MIN.					
	10117865-352TB	NO						
	10117865-252AB	YES	Au 0.76μm MIN.					
	10117865-352AB	NO						
D	10117865-452FS	YES	Au FLASH	Pure Sn PLATING	Sn-Pb PLATING			
	10117865-552FS	NO						
	10117865-452TS	YES	Au 0.3μm MIN.					
	10117865-552TS	NO						
	10117865-452AS	YES	Au 0.76μm MIN.					
	10117865-552AS	NO						
	10117865-452FB	YES	Au FLASH	Sn-Pb PLATING				
	10117865-552FB	NO						
	10117865-452TB	YES	Au 0.3μm MIN.					
	10117865-552TB	NO						
	10117865-452AB	YES	Au 0.76μm MIN.					
	10117865-552AB	NO						

10117865- □ □ □ □ □ LF

For Rohs OPTIONS:  
TAIL PLATING CODE MUST BE 0~3.  
HOLD DOWN PLATING CODE MUST BE "S".  
"LF" CODE IS EXIST IN THE END.  
EX: 10117865-252TSLF

FOR NOT Rohs COMPATIBLE:  
THIS "LF" CODE IS "BLANK".  
EX: 10117865-452TS

<PACKING METHOD>  
R : TAPE REEL  
DEFAULT : TRAY

<HOLD DOWN FINISH>  
S : Pure Sn  
B : Sn-Pb

<CONTACT AREA FINISH>  
F : Au FLASH  
T : Au 0.3μm MIN.  
A : Au 0.76μm MIN.

<TOTAL HEIGHT>  
52 : 5.2mm

<LOCATING PEG, SOLDER TAIL FINISH>  
0 : YES, Au FLASH  
1 : NO, Au FLASH  
2 : YES, Pure Sn PLATING  
3 : NO, Pure Sn PLATING  
4 : YES, Sn-Pb PLATING  
5 : NO, Sn-Pb PLATING

Copyright FCI.



FCI	TITLE	DDR 11 0.6mm PITCH 200 POS.	Rev.	A
	REVERSE TYPE ASS'Y		10117865	
CATALOG NO	CUSTOMER COPY		sheet 4 of 4	