

© 1963 BY AMP INCORPORATED. ALL RIGHTS RESERVED. AMP PRODUCTS COVERED BY PATENTS AND/OR PATENTS PENDING. APPROVED PER GOVT CONTRACT NO.

REVISIONS				
ZONE	LTR	DESCRIPTION	DATE	APPROVED
N	REV PER	ECO-08-006296	PY	07-08 BW

SERIES "G" CONNECTORS AND SHIELD SHOWN FOR REFERENCE ONLY

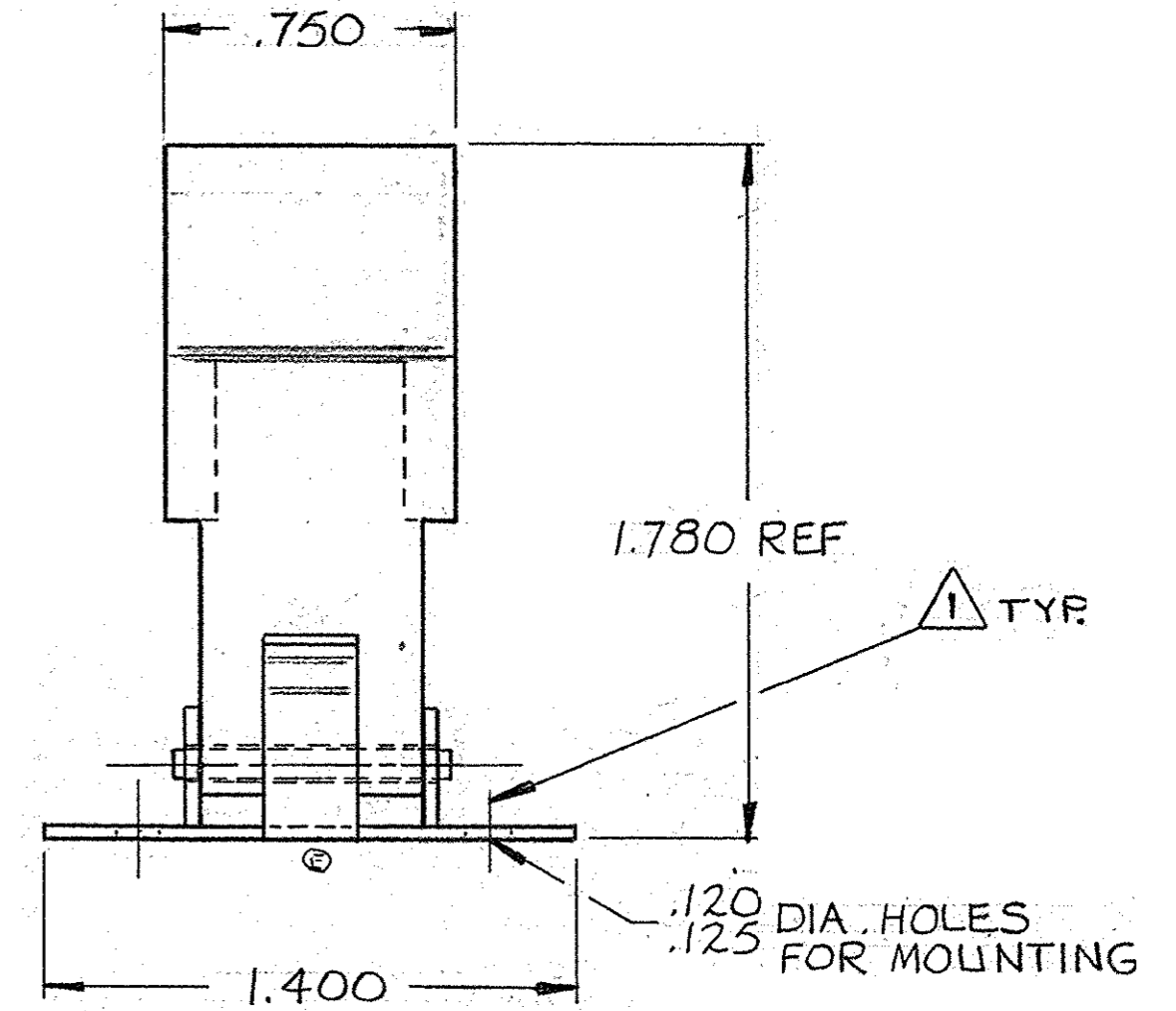
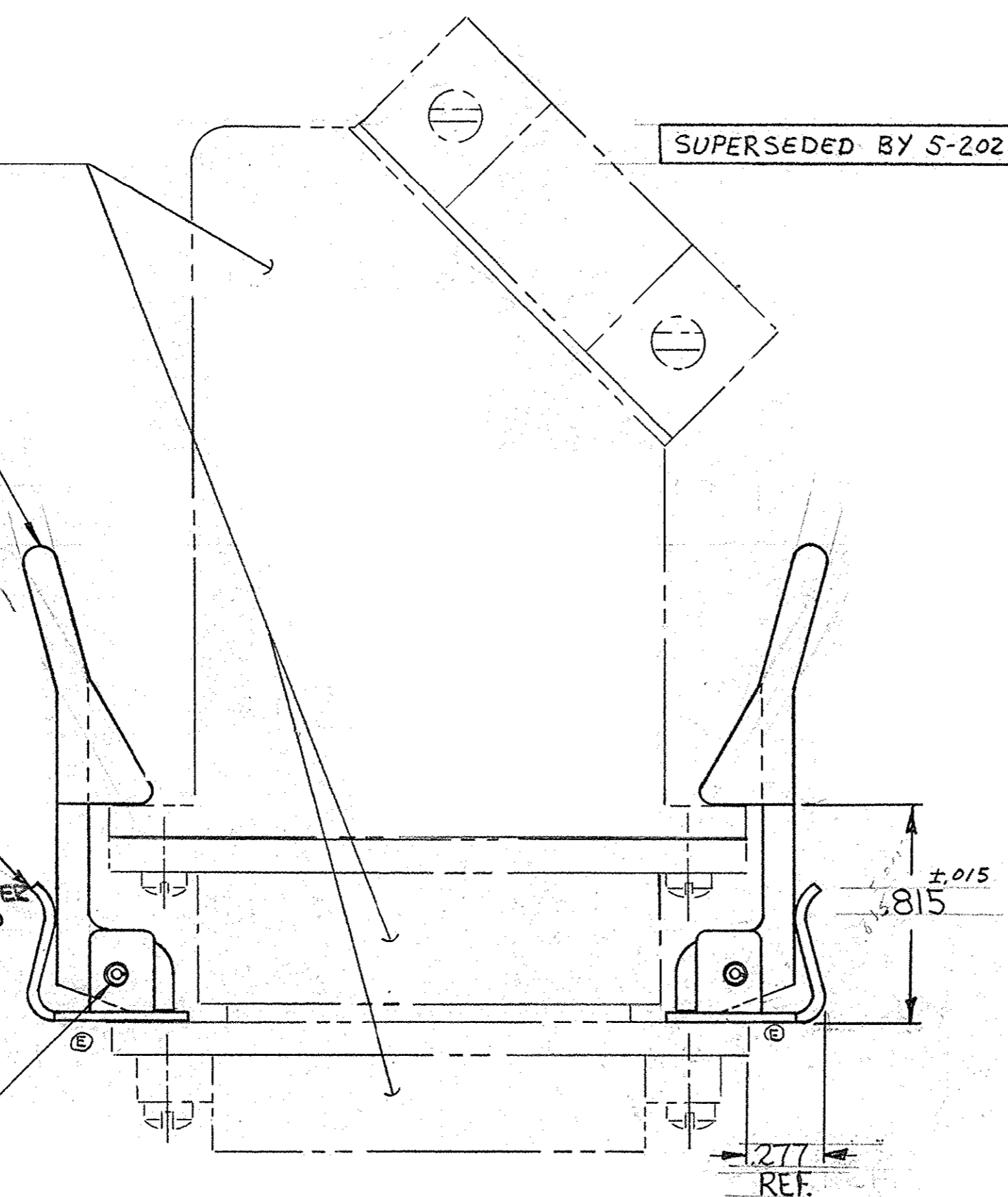
SUPERSEDED BY 5-202832-2

- 202832 -1 1. AS SHOWN
2. WITHOUT MOUNTING HARDWARE
- 202832 -2 1. SAME AS -1 EXCEPT
2. WITH MOUNTING HARDWARE Δ
- 202832 -3 1. SAME AS -1 EXCEPT:
2. CONSIST OF ONE LOCKING LATCH ASSY WITHOUT MOUNTING HARDWARE.
- 5-202832-1 1. SAME AS -1 EXCEPT-
ROHS COMPLIANT RC
- 5-202832-2 1. SAME AS -1 EXCEPT-
WITH MOUNTING HARDWARE Δ

LOCKING LATCH
MAT'L: ZINC DIE CAST
PER QQ-E-363

SPRING CATCH PLATE
MAT'L: CARBON STEEL PER
QQ-S-700
FINISH: PLATED NICKEL PER
QQ-N-290 OVER COPPER
FLASH PER MIL-C-14550

ROLL PIN (.094 DIA.)
MAT'L: CARBON STEEL
FINISH: PLATED ZINC



- Δ MOUNTING HARDWARE: WASHER (PASSIVATED STAINLESS STEEL) #4-40 HEX NUT (ZINC PLATED CARBON STEEL) #4-40 FILLISTER HD SCREW (ZINC PLATED CARBON STEEL W/ SUPPLEMENTARY CHROMATE FINISH)
- 2. TWO LOCKING LATCH ASSEMBLIES ARE INCLUDED WITH -1, -2 & 5-2.
- 3. ALL LOCKING LATCHES MUST BE USED IN CONJUNCTION WITH A SHIELD AS SHOWN.
- 4. NOT TO BE USED WITH FLOATING BUSHINGS.
- Δ MOUNTING HARDWARE: #4-40 FILLISTER SCREW, WASHER AND #4-40 HEX NUT- STAINLESS STEEL; PASSIVATED

AMP INFO		QTY REQD	NOMENCLATURE OR DESCRIPTION	PART OR IDENTIFYING NO.			
LOC	PRINT DIST	R39				LIST OF MATERIALS OR PARTS LIST	
UNLESS OTHERWISE SPECIFIED		CONTRACT NO.		AMP INCORPORATED HARRISBURG, PENNSYLVANIA			
DIMENSIONS ARE IN INCHES		DR	DATE	AMP TRADEMARK			
FRACTIONS	DECIMALS	ANGLES	9/10/65	SERIES G LOCKING LATCH ASSEMBLY			
\pm	$\pm .005$	\pm	CHK	DATE	SIZE	CODE IDENT NO	
MATERIAL	SEE CALLOUTS		R.S. Heider	9/10/65	C	00779	
HEAT TREAT	SEE CALLOUTS		DSGN ENGR	DATE	NUMBER	202832	
FINISH	SEE CALLOUTS		J. J. Hilligian	9-13-65	REV	N	
			APPR	DATE	SCALE	2-1	
			F.B. Miller	9-13-65	WT	CALC	
			DSGN APPD	OTHER APPD	ACTUAL	SHEET	