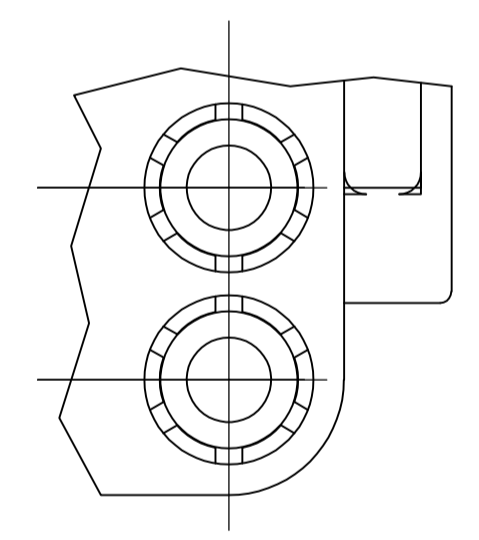
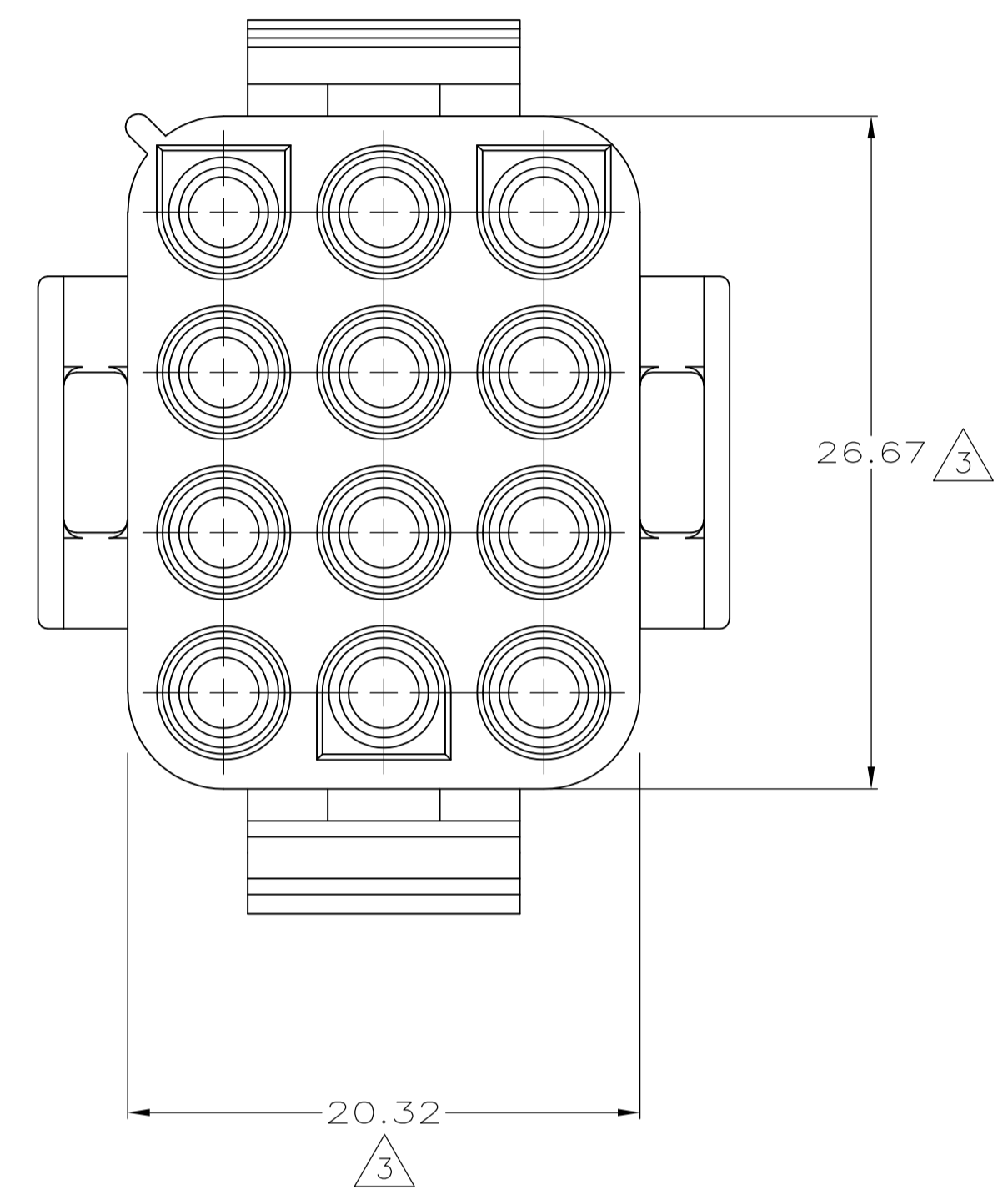
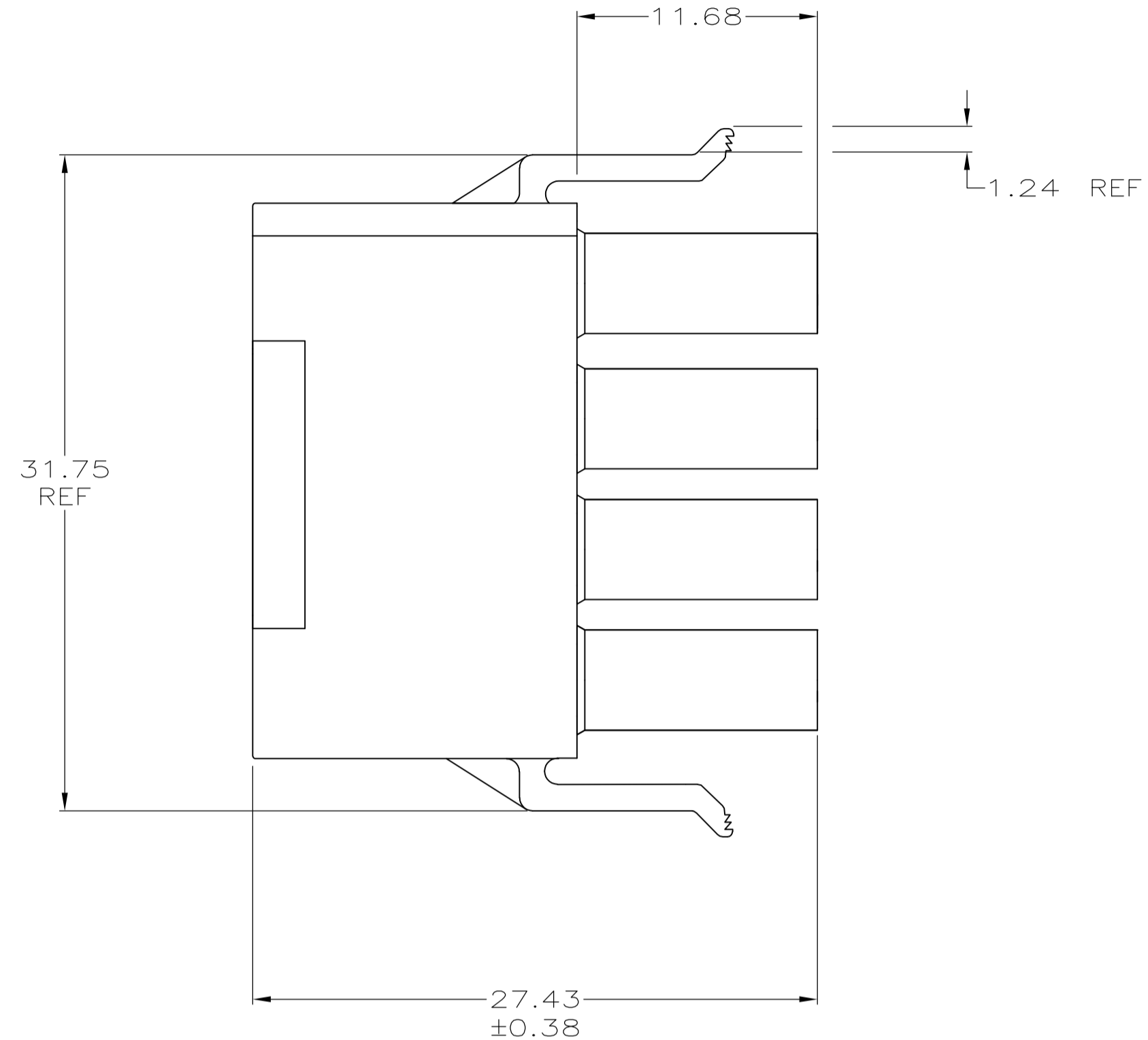
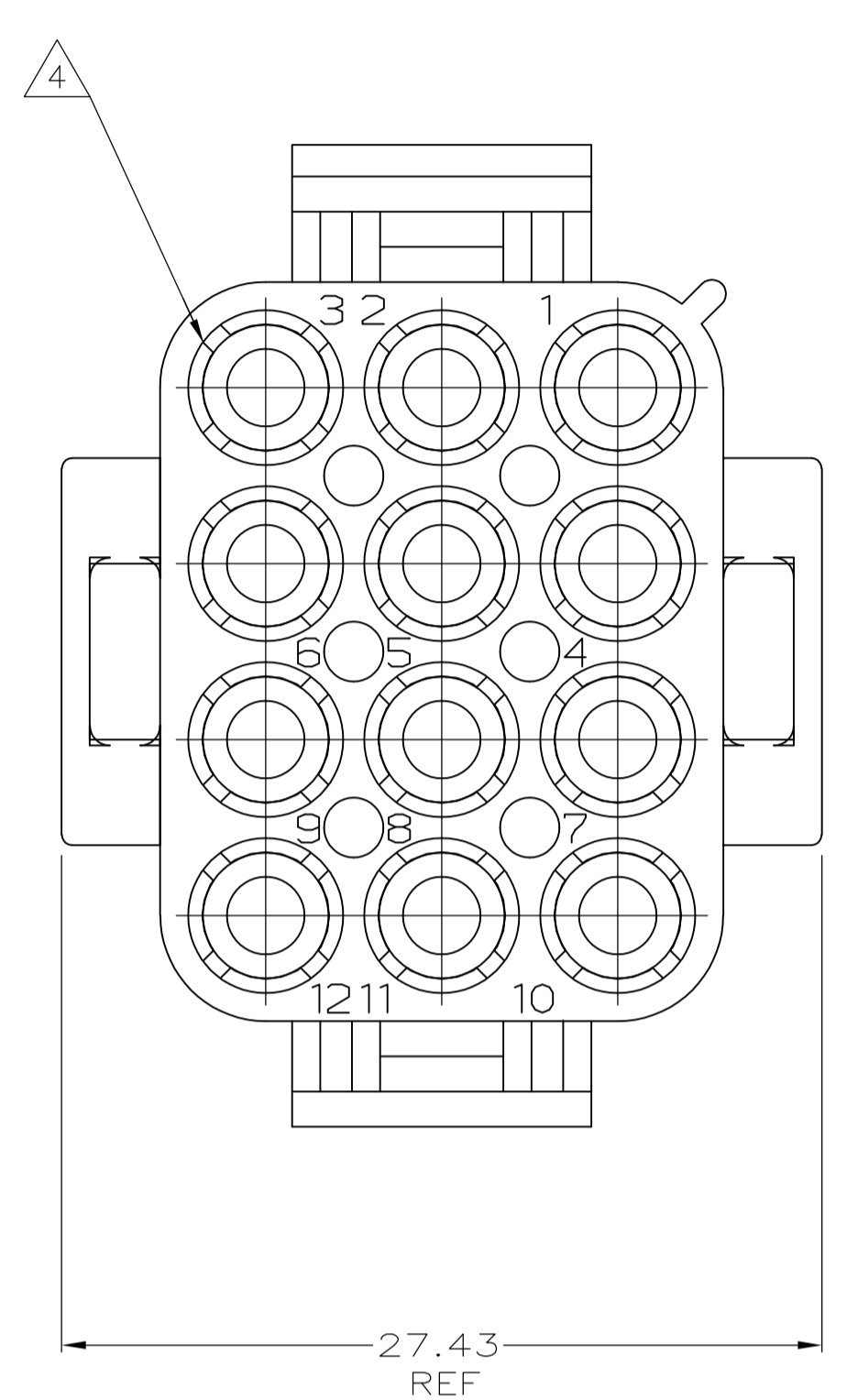
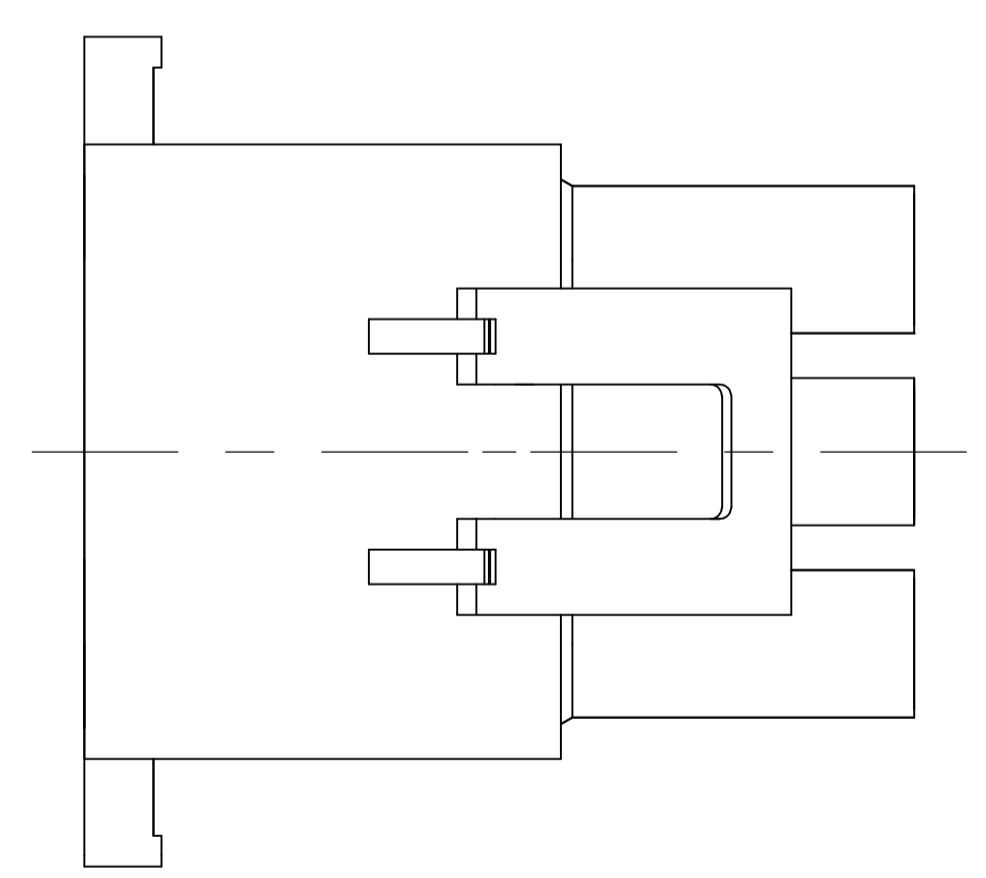


LOC	DIST	REVISIONS			
P	LTR	DESCRIPTION	DATE	DMN	APVD
CM	53	C	REV PER ECR 11-005068	10MAR11	JR TM



OPTIONAL CONSTRUCTION $\triangle 4$



- 1 MATES WITH APPROPRIATE UNIVERSAL MATE-N-LOK™ CAP OR HEADER.
- 2 SMALL NICKS ARE PERMITTED ON THE CIRCUIT TOWERS WHICH COULD INCREASE THE INITIAL HOUSING MATING FORCE BY UP TO 4.4 NEWTONS [1.0 LBS]. NO INDIVIDUAL NICKED TOWER SHALL INCREASE THIS FORCE BY OVER 2.2 NEWTONS [.5 LBS].
- $\triangle 3$ DIMENSION INDICATED IS AS MOLDED. ADDITIONAL GROWTH DUE TO SUBSEQUENT MOISTURE ABSORPTION MAY OCCUR.
- $\triangle 4$ FOUR RIBS EQUALLY SPACED, NO SPECIFIC ORIENTATION, OR SIX RIBS EQUALLY SPACED, NO SPECIFIC ORIENTATION.
- $\triangle 5$ FLAMMABILITY V2 FOR THICKNESS 0.38mm, 1.5mm, and 3.0mm PER IEC 60695-11-10.
- $\triangle 6$ GLOW-WIRE FLAMMABILITY (GWFI) 800°C FOR THICKNESS 0.38mm AND 0.75mm PER IEC 60695-2-12.
- $\triangle 7$ GLOW-WIRE FLAMMABILITY (GWFI) 960°C FOR THICKNESS 1.5mm AND 3.0mm PER IEC 60695-2-12.
- $\triangle 8$ GLOW-WIRE IGNITION (GWIT) 825°C FOR THICKNESS 0.38mm, 0.75mm, 1.5mm AND 3.0mm PER IEC 60695-2-13.

31.75	1.250
27.43	1.080
26.67	1.050
20.32	.800
11.68	.460
1.24	.049
0.38	.015
0.13	.005
MM	IN

CONVERSION TABLE

$\triangle 5$	NYLON UL94V-2 CW NATURAL	794742-2
$\triangle 6$	NYLON UL94V-0 NATURAL	794742-1
$\triangle 7$	MATERIAL	PART NUMBER

THIS DRAWING IS A CONTROLLED DOCUMENT.

DIMENSIONS: mm	TOLERANCES UNLESS OTHERWISE SPECIFIED:	0. PLC ± -	1. PLC ± -	2. PLC ± 0.13	3. PLC ± -	4. PLC ± -	ANGLES ± 0° 30'	FINISH -
MATERIAL SEE TABLE		APVD S. RIDGILL		NAME S. RIDGILL		PRODUCT SPEC		SIZE A1
CUSTOMER DRAWING		DRAWING NO. 00779		DRAWING NO. 794742		RESTRICTED TO		SCALE 4:1

Tyco Electronics Corporation
 Harrisburg, PA 17105-3608
 PLUG, SHORT LATCH, 12 CIRCUIT, UNIVERSAL MATE-N-LOK™
 SHEET 1 OF 1 REV C