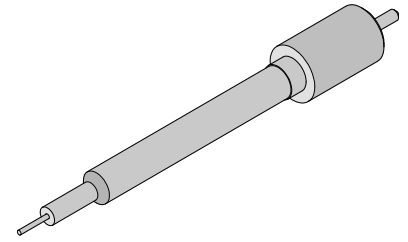


**Single Contact
Knockout Tool**



**Application Tooling
Specification Sheet**



Order No. 62100-1000

FEATURES

- This tool is used for the remove a single backplane contact from a connector and printed circuit board, which reduces connector replacement costs
- Lightweight manual tool that is easy to use
- High quality construction that will provide longevity with proper care of hand tool

SCOPE

Products: *HDM® Backplane and EXTreme PowerMass™ Signal Contact. See Product List below for specific part numbers. *HDM® is a registered trademark of Teradyne, Inc.

Product List

The following is a partial list of the product order numbers and their specifications this tool is designed to run. Updates to this list are available on www.molex.com.

| Connector Series Number | Style | Assembly Order Number | | | | | |
|-------------------------|--------------------|-----------------------|------------|------------|------------|------------|------------|
| | | | | | | | |
| 73642 | Open End | 73642-0000 | 73642-0100 | 73642-0200 | 73642-1000 | 73642-1100 | 73642-1200 |
| | | 73642-2000 | 73642-2009 | 73642-2100 | 73642-2109 | 73642-2200 | 73642-2209 |
| | | 73642-3000 | 73642-3009 | 73642-3100 | 73642-3109 | 73642-3200 | 73642-3209 |
| 73643 | Closed End | 73643-0000 | 73643-0100 | 73643-0200 | 73643-1000 | 73643-1100 | 73643-1200 |
| | | 73643-2000 | 73643-2009 | 73643-2100 | 73643-2109 | 73643-2200 | 73643-2209 |
| | | 73643-3000 | 73643-3009 | 73643-3100 | 73643-3109 | 73643-3200 | 73643-3209 |
| 73644 | Polar Guide Option | 73644-0000 | 73644-0001 | 73644-0002 | 73644-0003 | 73644-0004 | 73644-0005 |
| | | 73644-0006 | 73644-0007 | 73644-0008 | 73644-0009 | 73644-0010 | 73644-0011 |
| | | 73644-0012 | 73644-0013 | 73644-0014 | 73644-0015 | 73644-0016 | 73644-0017 |
| | | 73644-0018 | 73644-0100 | 73644-0101 | 73644-0102 | 73644-0103 | 73644-0104 |
| | | 73644-0105 | 73644-0106 | 73644-0107 | 73644-0108 | 73644-0109 | 73644-0110 |
| | | 73644-0111 | 73644-0112 | 73644-0113 | 73644-0114 | 73644-0115 | 73644-0116 |
| | | 73644-0117 | 73644-0118 | 73644-0200 | 73644-0201 | 73644-0202 | 73644-0203 |
| | | 73644-0204 | 73644-0205 | 73644-0206 | 73644-0207 | 73644-0208 | 73644-0209 |
| | | 73644-0210 | 73644-0211 | 73644-0212 | 73644-0213 | 73644-0214 | 73644-0215 |
| | | 73644-0216 | 73644-0217 | 73644-0218 | | | |
| | | 73644-1000 | 73644-1001 | 73644-1002 | 73644-1003 | 73644-1004 | 73644-1005 |
| | | 73644-1006 | 73644-1007 | 73644-1008 | 73644-1009 | 73644-1010 | 73644-1011 |
| | | 73644-1012 | 73644-1013 | 73644-1014 | 73644-1015 | 73644-1016 | 73644-1017 |
| | | 73644-1018 | 73644-1100 | 73644-1101 | 73644-1102 | 73644-1103 | 73644-1104 |
| | | 73644-1105 | 73644-1106 | 73644-1107 | 73644-1108 | 73644-1109 | 73644-1110 |
| | | 73644-1111 | 73644-1112 | 73644-1113 | 73644-1114 | 73644-1115 | 73644-1116 |
| | | 73644-1117 | 73644-1118 | 73644-1200 | 73644-1201 | 73644-1202 | 73644-1203 |
| | | 73644-1204 | 73644-1205 | 73644-1206 | 73644-1207 | 73644-1208 | 73644-1209 |
| | | 73644-1210 | 73644-1211 | 73644-1212 | 73644-1213 | 73644-1214 | 73644-1215 |
| | | 73644-1216 | 73644-1217 | 73644-1218 | | | |

| Connector Series Number | Style | Assembly Order Number | | | | | | |
|-------------------------|--------------------|-----------------------|------------|------------|------------|------------|------------|------------|
| | | | | | | | | |
| 73644 | Polar Guide Option | 73644-2000 | 73644-2001 | 73644-2002 | 73644-2003 | 73644-2004 | 73644-2005 | |
| | | 73644-2006 | 73644-2007 | 73644-2008 | 73644-2009 | 73644-2010 | 73644-2011 | |
| | | 73644-2012 | 73644-2013 | 73644-2014 | 73644-2015 | 73644-2016 | 73644-2017 | |
| | | 73644-2018 | 73644-2100 | 73644-2101 | 73644-2102 | 73644-2103 | 73644-2104 | |
| | | 73644-2105 | 73644-2106 | 73644-2107 | 73644-2108 | 73644-2109 | 73644-2110 | |
| | | 73644-2111 | 73644-2112 | 73644-2113 | 73644-2114 | 73644-2115 | 73644-2116 | |
| | | 73644-2117 | 73644-2118 | 73644-2200 | 73644-2201 | 73644-2202 | 73644-2203 | |
| | | 73644-2204 | 73644-2205 | 73644-2206 | 73644-2207 | 73644-2208 | 73644-2209 | |
| | | 73644-2210 | 73644-2211 | 73644-2212 | 73644-2213 | 73644-2214 | 73644-2215 | |
| | | 73644-2216 | 73644-2217 | 73644-2218 | | | | |
| | | 73644-3000 | 73644-3001 | 73644-3002 | 73644-3003 | 73644-3004 | 73644-3005 | |
| | | 73644-3006 | 73644-3007 | 73644-3008 | 73644-3009 | 73644-3010 | 73644-3011 | |
| | | 73644-3012 | 73644-3013 | 73644-3014 | 73644-3015 | 73644-3016 | 73644-3017 | |
| | | 73644-3018 | 73644-3100 | 73644-3101 | 73644-3102 | 73644-3103 | 73644-3104 | |
| | | 73644-3105 | 73644-3106 | 73644-3107 | 73644-3108 | 73644-3109 | 73644-3110 | |
| | | 73644-3111 | 73644-3112 | 73644-3113 | 73644-3114 | 73644-3115 | 73644-3116 | |
| | | 73644-3117 | 73644-3118 | 73644-3200 | 73644-3201 | 73644-3202 | 73644-3203 | |
| | | 73644-3204 | 73644-3205 | 73644-3206 | 73644-3207 | 73644-3208 | 73644-3209 | |
| | 73644-3210 | 73644-3211 | 73644-3212 | 73644-3213 | 73644-3214 | 73644-3215 | | |
| | 73644-3216 | 73644-3217 | 73644-3218 | | | | | |
| | 73650 | Custom | 73650-0001 | 73650-0002 | 73650-0003 | 73650-0004 | 73650-0005 | 73650-0006 |
| | | | 73650-0007 | 73650-0008 | 73650-0009 | 73650-0010 | 73650-0011 | 73650-0012 |
| | | | 73650-0013 | 73650-0014 | 73650-0015 | 73650-0016 | 73650-0017 | 73650-0018 |
| | | | 73650-0019 | 73650-0020 | 73650-0021 | 73650-0022 | 73650-0023 | 73650-0024 |
| | | | 73650-0025 | 73650-0026 | 73650-0027 | 73650-0028 | 73650-0029 | 73650-0030 |
| | | | 73650-0031 | 73650-0032 | 73650-0033 | 73650-0034 | 73650-0035 | 73650-0036 |
| | | | 73650-0037 | 73650-0038 | 73650-0039 | 73650-0040 | 73650-0041 | 73650-0042 |
| | | | 73650-0043 | 73650-0044 | 73650-0045 | 73650-0046 | 73650-0047 | 73650-0048 |
| | | | 73650-0049 | 73650-0050 | 73650-0051 | 73650-0052 | 73650-0053 | 73650-0054 |
| | | | 73650-0055 | 73650-0056 | 73650-0057 | 73650-0058 | 73650-0059 | 73650-0060 |
| | | | 73650-0061 | 73650-0062 | 73650-0063 | 73650-0064 | 73650-0065 | 73650-0066 |
| | | | 73650-0067 | 73650-0068 | 73650-0069 | 73650-0070 | 73650-0071 | 73650-0072 |
| | | | 73650-0073 | 73650-0074 | 73650-0075 | 73650-0076 | 73650-0077 | 73650-0078 |
| | | | 73650-0079 | 73650-0080 | 73650-0081 | 73650-0082 | 73650-0083 | 73650-0084 |

| Connector Series Number | Style | Assembly Order Number | | | | | |
|-------------------------|-----------------------------|-----------------------|------------|------------|------------|------------|------------|
| 73650 | Custom | 73650-0085 | 73650-0086 | 73650-0087 | 73650-0088 | 73650-0089 | 73650-0090 |
| | | 73650-0091 | 73650-0092 | 73650-0093 | 73650-0094 | 73650-0095 | 73650-0096 |
| | | 73650-0097 | 73650-0098 | 73650-0099 | 73650-0100 | | |
| | | 73650-0101 | 73650-0102 | 73650-0103 | 73650-0104 | 73650-0105 | 73650-0106 |
| | | 73650-0107 | 73650-0108 | 73650-0109 | 73650-0110 | 73650-0111 | 73650-0112 |
| | | 73650-0113 | 73650-0114 | 73650-0115 | 73650-0116 | 73650-0117 | 73650-0118 |
| | | 73650-0119 | 73650-0120 | 73650-0121 | 73650-0122 | 73650-0123 | 73650-0124 |
| | | 73650-0125 | 73650-0126 | 73650-0127 | 73650-0128 | 73650-0129 | 73650-0130 |
| | | 73650-0131 | 73650-0132 | 73650-0133 | 73650-0134 | 73650-0135 | 73650-0136 |
| | | 73650-0137 | 73650-0138 | 73650-0139 | 73650-0140 | 73650-0141 | 73650-0142 |
| | | 73650-0143 | 73650-0144 | 73650-0145 | 73650-0146 | 73650-0147 | 73650-0148 |
| | | 73650-0149 | 73650-0150 | 73650-0151 | 73650-0152 | 73650-0153 | 73650-0154 |
| | | 73650-0155 | 73650-0156 | 73650-0157 | 73650-0158 | 73650-0159 | 73650-0160 |
| | | 73650-0161 | 73650-0162 | 73650-0163 | 73650-0164 | 73650-0165 | 73650-0166 |
| | | 73650-0167 | 73650-0168 | 73650-0169 | 73650-0170 | 73650-0171 | 73650-0172 |
| | | 73650-0173 | 73650-0174 | 73650-0175 | 73650-0176 | 73650-0177 | 73650-0178 |
| | | 73650-0179 | 73650-0180 | 73650-0181 | 73650-0182 | 73650-0183 | 73650-0184 |
| | | 73650-0185 | 73650-0186 | 73650-0187 | 73650-0188 | 73650-0189 | 73650-0190 |
| | | 73650-0191 | 73650-0192 | 73650-0193 | 73650-0194 | 73650-0195 | 73650-0196 |
| | | 73650-0197 | 73650-0198 | 73650-0199 | 73650-0200 | | |
| | | 73650-0201 | 73650-0202 | 73650-0203 | 73650-0204 | 73650-0205 | 73650-0206 |
| | | 73650-0207 | 73650-0208 | 73650-0209 | 73650-0210 | 73650-0211 | 73650-0212 |
| | | 73650-0213 | 73650-0214 | 73650-0215 | 73650-0216 | 73650-0217 | 73650-0218 |
| | | 73650-0219 | 73650-0220 | 73650-0221 | 73650-0222 | 73650-0223 | 73650-0224 |
| | | 73650-0225 | 73650-0226 | 73650-0227 | 73650-0228 | 73650-0229 | 73650-0230 |
| | | 73650-0231 | 73650-0232 | 73650-0233 | 73650-0234 | 73650-0235 | 73650-0236 |
| | | 73650-0237 | 73650-0238 | 73650-0239 | 73650-0240 | 73650-0242 | 73650-0243 |
| | | 73650-0244 | 73650-0245 | 73650-0246 | 73650-0247 | 73650-0248 | 73650-0250 |
| | | 73650-0251 | 73650-0252 | 73650-0253 | 73650-0254 | 73650-0255 | 73650-0257 |
| | | 73650-0258 | 73650-0259 | 73650-0260 | 73650-0261 | 73650-0265 | 73650-0270 |
| | | 73650-0271 | 73650-0272 | 73650-0275 | 73650-0276 | 73650-0277 | 73650-0279 |
| | | 73650-0285 | 73650-0286 | 73650-0287 | 73650-0288 | 73650-0289 | 73650-0290 |
| | | 73650-0291 | 73650-0292 | 73650-0293 | 73650-0294 | 73650-0295 | 73650-0296 |
| 73650-0297 | 73650-0298 | 73650-0299 | 73650-9950 | 73650-9959 | 73650-9960 | | |
| 73650-9961 | 73650-9962 | 73650-9963 | 73650-9966 | 73650-9967 | 73650-9968 | | |
| 73650-9969 | 73650-9970 | 73650-9971 | 73650-9972 | 73650-9973 | 73650-9974 | | |
| 73650-9975 | 73650-9976 | 73650-9977 | 73650-9978 | 73650-9979 | 73650-9980 | | |
| 73770 | Closed End | 73770-0100 | 73770-0109 | 73770-0200 | 73770-0209 | 73770-0300 | 73770-0309 |
| | | 73770-1100 | 73770-1109 | 73770-1200 | 73770-1209 | 73770-1300 | 73770-1309 |
| 73771 | Stacking Polar Guide Option | 73771-0100 | 73771-0101 | 73771-0102 | 73771-0190 | 73771-0191 | 73771-0192 |
| | | 73771-0200 | 73771-0201 | 73771-0202 | 73771-0290 | 73771-0291 | 73771-0292 |
| | | 73771-0300 | 73771-0301 | 73771-0302 | 73771-0390 | 73771-0391 | 73771-0392 |
| | | 73771-1100 | 73771-1101 | 73771-1102 | 73771-1190 | 73771-1191 | 73771-1192 |
| | | 73771-1200 | 73771-1201 | 73771-1202 | 73771-1290 | 73771-1291 | 73771-1292 |
| | | 73771-1300 | 73771-1301 | 73771-1302 | 73771-1390 | 73771-1391 | 73771-1392 |
| | | 73771-0100 | 73771-0101 | 73771-0102 | 73771-0190 | 73771-0191 | 73771-0192 |
| | | 73771-0200 | 73771-0201 | 73771-0202 | 73771-0290 | 73771-0291 | 73771-0292 |
| | | 73771-0300 | 73771-0301 | 73771-0302 | 73771-0390 | 73771-0391 | 73771-0392 |
| | | 73771-1100 | 73771-1101 | 73771-1102 | 73771-1190 | 73771-1191 | 73771-1192 |
| | | 73771-1200 | 73771-1201 | 73771-1202 | 73771-1290 | 73771-1291 | 73771-1292 |
| | | 73771-1300 | 73771-1301 | 73771-1302 | 73771-1390 | 73771-1391 | 73771-1392 |
| 73797 | Open End Duck Pin | 73797-0000 | 73797-0200 | 73797-2000 | 73797-2009 | 73797-2200 | 73797-2209 |
| | | 73797-1000 | 73797-1200 | 73797-3000 | 73797-3009 | 73797-3200 | 73797-3209 |

Knockout Tool for Single Contacts

| Connector Series Number | Style | Assembly Order Number | | | | | | |
|-------------------------|-------------------|-----------------------------|------------|------------|------------|------------|------------|------------|
| | | | | | | | | |
| 73798 | Open End Duck Pin | 73798-0000 | 73798-0200 | 73798-2000 | 73798-2009 | 73798-2200 | 73798-2209 | |
| | | 73798-1000 | 73798-1200 | 73798-3000 | 73798-3009 | 73798-3200 | 73798-3209 | |
| 73799 | Open End Duck Pin | 73799-0000 | 73799-0001 | 73799-0002 | 73799-0003 | 73799-0004 | 73799-0005 | |
| | | 73799-0006 | 73799-0007 | 73799-0008 | 73799-0009 | 73799-0010 | 73799-0011 | |
| | | 73799-0012 | 73799-0013 | 73799-0014 | 73799-0015 | 73799-0016 | 73799-0017 | |
| | | 73799-0018 | 73799-0200 | 73799-0201 | 73799-0202 | 73799-0203 | 73799-0204 | |
| | | 73799-0205 | 73799-0206 | 73799-0207 | 73799-0208 | 73799-0209 | 73799-0210 | |
| | | 73799-0211 | 73799-0212 | 73799-0213 | 73799-0214 | 73799-0215 | 73799-0216 | |
| | | 73799-0217 | 73799-0218 | | | | | |
| | | 73799-1000 | 73799-1001 | 73799-1002 | 73799-1003 | 73799-1004 | 73799-1005 | |
| | | 73799-1006 | 73799-1007 | 73799-1008 | 73799-1009 | 73799-1010 | 73799-1011 | |
| | | 73799-1012 | 73799-1013 | 73799-1014 | 73799-1015 | 73799-1016 | 73799-1017 | |
| | | 73799-1018 | 73799-1200 | 73799-1201 | 73799-1202 | 73799-1203 | 73799-1204 | |
| | | 73799-1205 | 73799-1206 | 73799-1207 | 73799-1208 | 73799-1209 | 73799-1210 | |
| | | 73799-1211 | 73799-1212 | 73799-1213 | 73799-1214 | 73799-1215 | 73799-1216 | |
| | | 73799-1217 | 73799-1218 | | | | | |
| | | 73799-2000 | 73799-2001 | 73799-2002 | 73799-2003 | 73799-2004 | 73799-2005 | |
| | | 73799-2006 | 73799-2007 | 73799-2008 | 73799-2009 | 73799-2010 | 73799-2011 | |
| | | 73799-2012 | 73799-2013 | 73799-2014 | 73799-2015 | 73799-2016 | 73799-2017 | |
| | | 73799-2018 | 73799-2200 | 73799-2201 | 73799-2202 | 73799-2203 | 73799-2204 | |
| | | 73799-2205 | 73799-2206 | 73799-2207 | 73799-2208 | 73799-2209 | 73799-2210 | |
| | | 73799-2211 | 73799-2212 | 73799-2213 | 73799-2214 | 73799-2215 | 73799-2216 | |
| | 73799-2217 | 73799-2218 | | | | | | |
| | 73799-3000 | 73799-3001 | 73799-3002 | 73799-3003 | 73799-3004 | 73799-3005 | | |
| | 73799-3006 | 73799-3007 | 73799-3008 | 73799-3009 | 73799-3010 | 73799-3011 | | |
| | 73799-3012 | 73799-3013 | 73799-3014 | 73799-3015 | 73799-3016 | 73799-3017 | | |
| | 73799-3018 | 73799-3200 | 73799-3201 | 73799-3202 | 73799-3203 | 73799-3204 | | |
| | 73799-3205 | 73799-3206 | 73799-3207 | 73799-3208 | 73799-3209 | 73799-3210 | | |
| | 73799-3211 | 73799-3212 | 73799-3213 | 73799-3214 | 73799-3215 | 73799-3216 | | |
| | 73799-3217 | 73799-3218 | | | | | | |
| | 73799 | Polar Guide Option Duck Pin | 73799-8000 | 73799-8001 | 73799-8002 | 73799-8003 | 73799-8004 | 73799-8005 |
| | | | 73799-8006 | 73799-8007 | 73799-8008 | 73799-8009 | 73799-8010 | 73799-8011 |
| | | | 73799-8012 | 73799-8013 | 73799-8014 | 73799-8015 | 73799-8016 | 73799-8017 |
| | | | 73799-8018 | 73799-8200 | 73799-8201 | 73799-8202 | 73799-8203 | 73799-8204 |
| | | | 73799-8205 | 73799-8206 | 73799-8207 | 73799-8208 | 73799-8209 | 73799-8210 |
| | | | 73799-8211 | 73799-8212 | 73799-8213 | 73799-8214 | 73799-8215 | 73799-8216 |
| | | | 73799-8217 | 73799-8218 | | | | |
| | | | 73799-9000 | 73799-9001 | 73799-9002 | 73799-9003 | 73799-9004 | 73799-9005 |
| | | | 73799-9006 | 73799-9007 | 73799-9008 | 73799-9009 | 73799-9010 | 73799-9011 |
| | | | 73799-9012 | 73799-9013 | 73799-9014 | 73799-9015 | 73799-9016 | 73799-9017 |
| | | | 73799-9018 | 73799-9200 | 73799-9201 | 73799-9202 | 73799-9203 | 73799-9204 |
| | | | 73799-9205 | 73799-9206 | 73799-9207 | 73799-9208 | 73799-9209 | 73799-9210 |
| 73799-9211 | | | 73799-9212 | 73799-9213 | 73799-9214 | 73799-9215 | 73799-9216 | |
| 73799-9217 | | | 73799-9218 | | | | | |
| 73942 | Open End | 73942-0000 | 73942-0100 | 73942-0200 | 73942-1000 | 73942-1100 | 73942-1200 | |
| | | 73942-2000 | 73942-2100 | 73942-2200 | 73942-3000 | 73942-3100 | 73942-3200 | |
| | | 73942-4000 | 73942-4100 | 73942-4200 | 73942-5000 | 73942-5100 | 73942-5200 | |
| | | 73942-6000 | 73942-6100 | 73942-6200 | 73942-7000 | 73942-7100 | 73942-7200 | |
| 73943 | Closed End | 73943-0000 | 73943-0100 | 73943-0200 | 73943-1000 | 73943-1100 | 73943-1200 | |
| | | 73943-2000 | 73943-2100 | 73943-2200 | 73943-3000 | 73943-3100 | 73943-3200 | |
| | | 73943-4000 | 73943-4100 | 73943-4200 | 73943-5000 | 73943-5100 | 73943-5200 | |
| | | 73943-6000 | 73943-6100 | 73943-6200 | 73943-7000 | 73943-7100 | 73943-7200 | |
| 73944 | | 73944-0000 | 73944-0001 | 73944-0002 | 73944-0003 | 73944-0004 | 73944-0005 | |

| Connector Series Number | Style | Assembly Order Number | | | | | |
|-------------------------|--------------------|-----------------------|------------|------------|------------|------------|------------|
| 73944 | Polar Guide Option | 73944-0006 | 73944-0007 | 73944-0008 | 73944-0009 | 73944-0010 | 73944-0011 |
| | | 73944-0012 | 73944-0013 | 73944-0014 | 73944-0015 | 73944-0016 | 73944-0017 |
| | | 73944-0018 | 73944-0100 | 73944-0101 | 73944-0102 | 73944-0103 | 73944-0104 |
| | | 73944-0105 | 73944-0106 | 73944-0107 | 73944-0108 | 73944-0109 | 73944-0110 |
| | | 73944-0111 | 73944-0112 | 73944-0113 | 73944-0114 | 73944-0115 | 73944-0116 |
| | | 73944-0117 | 73944-0118 | 73944-0200 | 73944-0201 | 73944-0202 | 73944-0203 |
| | | 73944-0204 | 73944-0205 | 73944-0206 | 73944-0207 | 73944-0208 | 73944-0209 |
| | | 73944-0210 | 73944-0211 | 73944-0212 | 73944-0213 | 73944-0214 | 73944-0215 |
| | | 73944-0216 | 73944-0217 | 73944-0218 | | | |
| | | 73944-1000 | 73944-1001 | 73944-1002 | 73944-1003 | 73944-1004 | 73944-1005 |
| | | 73944-1006 | 73944-1007 | 73944-1008 | 73944-1009 | 73944-1010 | 73944-1011 |
| | | 73944-1012 | 73944-1013 | 73944-1014 | 73944-1015 | 73944-1016 | 73944-1017 |
| | | 73944-1018 | 73944-1100 | 73944-1101 | 73944-1102 | 73944-1103 | 73944-1104 |
| | | 73944-1105 | 73944-1106 | 73944-1107 | 73944-1108 | 73944-1109 | 73944-1110 |
| | | 73944-1111 | 73944-1112 | 73944-1113 | 73944-1114 | 73944-1115 | 73944-1116 |
| | | 73944-1117 | 73944-1118 | 73944-1200 | 73944-1201 | 73944-1202 | 73944-1203 |
| | | 73944-1204 | 73944-1205 | 73944-1206 | 73944-1207 | 73944-1208 | 73944-1209 |
| | | 73944-1210 | 73944-1211 | 73944-1212 | 73944-1213 | 73944-1214 | 73944-1215 |
| | | 73944-1216 | 73944-1217 | 73944-1218 | | | |
| | | 73944-2000 | 73944-2001 | 73944-2002 | 73944-2003 | 73944-2004 | 73944-2005 |
| | | 73944-2006 | 73944-2007 | 73944-2008 | 73944-2009 | 73944-2010 | 73944-2011 |
| | | 73944-2012 | 73944-2013 | 73944-2014 | 73944-2015 | 73944-2016 | 73944-2017 |
| | | 73944-2018 | 73944-2100 | 73944-2101 | 73944-2102 | 73944-2103 | 73944-2104 |
| | | 73944-2105 | 73944-2106 | 73944-2107 | 73944-2108 | 73944-2109 | 73944-2110 |
| | | 73944-2111 | 73944-2112 | 73944-2113 | 73944-2114 | 73944-2115 | 73944-2116 |
| | | 73944-2117 | 73944-2118 | 73944-2200 | 73944-2201 | 73944-2202 | 73944-2203 |
| | | 73944-2204 | 73944-2205 | 73944-2206 | 73944-2207 | 73944-2208 | 73944-2209 |
| | | 73944-2210 | 73944-2211 | 73944-2212 | 73944-2213 | 73944-2214 | 73944-2215 |
| | | 73944-2216 | 73944-2217 | 73944-2218 | | | |
| | | 73944-3000 | 73944-3001 | 73944-3002 | 73944-3003 | 73944-3004 | 73944-3005 |
| | | 73944-3006 | 73944-3007 | 73944-3008 | 73944-3009 | 73944-3010 | 73944-3011 |
| | | 73944-3012 | 73944-3013 | 73944-3014 | 73944-3015 | 73944-3016 | 73944-3017 |
| | | 73944-3018 | 73944-3100 | 73944-3101 | 73944-3102 | 73944-3103 | 73944-3104 |
| | | 73944-3105 | 73944-3106 | 73944-3107 | 73944-3108 | 73944-3109 | 73944-3110 |
| | | 73944-3111 | 73944-3112 | 73944-3113 | 73944-3114 | 73944-3115 | 73944-3116 |
| | | 73944-3117 | 73944-3118 | 73944-3200 | 73944-3201 | 73944-3202 | 73944-3203 |
| | | 73944-3204 | 73944-3205 | 73944-3206 | 73944-3207 | 73944-3208 | 73944-3209 |
| | | 73944-3210 | 73944-3211 | 73944-3212 | 73944-3213 | 73944-3214 | 73944-3215 |
| | | 73944-3216 | 73944-3217 | 73944-3218 | | | |
| | | 73944-4000 | 73944-4001 | 73944-4002 | 73944-4003 | 73944-4004 | 73944-4005 |
| | | 73944-4006 | 73944-4007 | 73944-4008 | 73944-4009 | 73944-4010 | 73944-4011 |
| | | 73944-4012 | 73944-4013 | 73944-4014 | 73944-4015 | 73944-4016 | 73944-4017 |
| | | 73944-4018 | 73944-4100 | 73944-4101 | 73944-4102 | 73944-4103 | 73944-4104 |
| | | 73944-4105 | 73944-4106 | 73944-4107 | 73944-4108 | 73944-4109 | 73944-4110 |
| | | 73944-4111 | 73944-4112 | 73944-4113 | 73944-4114 | 73944-4115 | 73944-4116 |
| | | 73944-4117 | 73944-4118 | 73944-4200 | 73944-4201 | 73944-4202 | 73944-4203 |
| | | 73944-4204 | 73944-4205 | 73944-4206 | 73944-4207 | 73944-4208 | 73944-4209 |
| | | 73944-4210 | 73944-4211 | 73944-4212 | 73944-4213 | 73944-4214 | 73944-4215 |
| | | 73944-4216 | 73944-4217 | 73944-4218 | | | |
| | | 73944-5000 | 73944-5001 | 73944-5002 | 73944-5003 | 73944-5004 | 73944-5005 |
| | | 73944-5006 | 73944-5007 | 73944-5008 | 73944-5009 | 73944-5010 | 73944-5011 |
| | | 73944-5012 | 73944-5013 | 73944-5014 | 73944-5015 | 73944-5016 | 73944-5017 |
| | | 73944-5018 | 73944-5100 | 73944-5101 | 73944-5102 | 73944-5103 | 73944-5104 |
| | | 73944-5105 | 73944-5106 | 73944-5107 | 73944-5108 | 73944-5109 | 73944-5110 |

| Connector Series Number | Style | Assembly Order Number | | | | | |
|-------------------------|--------------------|-----------------------|-------------------|------------|------------|------------|------------|
| 73944 | Polar Guide Option | 73944-5111 | 73944-5112 | 73944-5113 | 73944-5114 | 73944-5115 | 73944-5116 |
| | | 73944-5117 | 73944-5118 | 73944-5200 | 73944-5201 | 73944-5202 | 73944-5203 |
| | | 73944-5204 | 73944-5205 | 73944-5206 | 73944-5207 | 73944-5208 | 73944-5209 |
| | | 73944-5210 | 73944-5211 | 73944-5212 | 73944-5213 | 73944-5214 | 73944-5215 |
| | | 73944-5216 | 73944-5217 | 73944-5218 | | | |
| | | 73944-6000 | 73944-6001 | 73944-6002 | 73944-6003 | 73944-6004 | 73944-6005 |
| | | 73944-6006 | 73944-6007 | 73944-6008 | 73944-6009 | 73944-6010 | 73944-6011 |
| | | 73944-6012 | 73944-6013 | 73944-6014 | 73944-6015 | 73944-6016 | 73944-6017 |
| | | 73944-6018 | 73944-6100 | 73944-6101 | 73944-6102 | 73944-6103 | 73944-6104 |
| | | 73944-6105 | 73944-6106 | 73944-6107 | 73944-6108 | 73944-6109 | 73944-6110 |
| | | 73944-6111 | 73944-6112 | 73944-6113 | 73944-6114 | 73944-6115 | 73944-6116 |
| | | 73944-6117 | 73944-6118 | 73944-6200 | 73944-6201 | 73944-6202 | 73944-6203 |
| | | 73944-6204 | 73944-6205 | 73944-6206 | 73944-6207 | 73944-6208 | 73944-6209 |
| | | 73944-6210 | 73944-6211 | 73944-6212 | 73944-6213 | 73944-6214 | 73944-6215 |
| | | 73944-6216 | 73944-6217 | 73944-6218 | | | |
| | | 73944-7000 | 73944-7001 | 73944-7002 | 73944-7003 | 73944-7004 | 73944-7005 |
| | | 73944-7006 | 73944-7007 | 73944-7008 | 73944-7009 | 73944-7010 | 73944-7011 |
| | | 73944-7012 | 73944-7013 | 73944-7014 | 73944-7015 | 73944-7016 | 73944-7017 |
| | | 73944-7018 | 73944-7100 | 73944-7101 | 73944-7102 | 73944-7103 | 73944-7104 |
| | | 73944-7105 | 73944-7106 | 73944-7107 | 73944-7108 | 73944-7109 | 73944-7110 |
| | | 73944-7111 | 73944-7112 | 73944-7113 | 73944-7114 | 73944-7115 | 73944-7116 |
| | | 73944-7117 | 73944-7118 | 73944-7200 | 73944-7201 | 73944-7202 | 73944-7203 |
| | | 73944-7204 | 73944-7205 | 73944-7206 | 73944-7207 | 73944-7208 | 73944-7209 |
| | | 73944-7210 | 73944-7211 | 73944-7212 | 73944-7213 | 73944-7214 | 73944-7215 |
| | | 73944-7216 | 73944-7217 | 73944-7218 | | | |
| | | 74349 | Double Ended Wall | 74349-0000 | 74349-0010 | 74349-0100 | 74349-0110 |
| 74349-1010 | 74349-1011 | | | 74349-1012 | 74349-1013 | 74349-1110 | 74349-1111 |
| 74349-1112 | 74349-1113 | | | 74349-2010 | 74349-2011 | 74349-2012 | 74349-2013 |
| 74349-0090 | | | | | | | |
| 74992 | Double Ended Wall | 74992-0000 | 74992-0001 | 74992-0002 | 74992-0003 | 74992-0004 | 74992-0005 |
| | | 74992-0010 | 74992-0011 | 74992-0012 | 74992-0013 | 74992-0014 | 74992-0015 |
| | | 74992-0100 | 74992-0101 | 74992-0102 | 74992-0103 | 74992-0104 | 74992-0105 |
| | | 74992-0110 | 74992-0111 | 74992-0112 | 74992-0113 | 74992-0114 | 74992-0115 |
| | | 74992-0200 | 74992-0201 | 74992-0202 | 74992-0203 | 74992-0204 | 74992-0205 |
| | | 74992-0210 | 74992-0211 | 74992-0212 | 74992-0213 | 74992-0214 | 74992-0215 |
| | | 74992-1000 | 74992-1001 | 74992-1002 | 74992-1003 | 74992-1004 | 74992-1005 |
| | | 74992-1010 | 74992-1011 | 74992-1012 | 74992-1013 | 74992-1014 | 74992-1015 |
| | | 74992-1100 | 74992-1101 | 74992-1102 | 74992-1103 | 74992-1104 | 74992-1105 |
| | | 74992-1110 | 74992-1111 | 74992-1112 | 74992-1113 | 74992-1114 | 74992-1115 |
| | | 74992-1200 | 74992-1201 | 74992-1202 | 74992-1203 | 74992-1204 | 74992-1205 |
| | | 74992-1210 | 74992-1211 | 74992-1212 | 74992-1213 | 74992-1214 | 74992-1215 |
| | | 74992-2000 | 74992-2001 | 74992-2002 | 74992-2003 | 74992-2004 | 74992-2005 |
| | | 74992-2010 | 74992-2011 | 74992-2012 | 74992-2013 | 74992-2014 | 74992-2015 |
| | | 74992-2100 | 74992-2101 | 74992-2102 | 74992-2103 | 74992-2104 | 74992-2105 |
| | | 74992-2110 | 74992-2111 | 74992-2112 | 74992-2113 | 74992-2114 | 74992-2115 |
| | | 74992-2200 | 74992-2201 | 74992-2202 | 74992-2203 | 74992-2204 | 74992-2205 |
| | | 74992-2210 | 74992-2211 | 74992-2212 | 74992-2213 | 74992-2214 | 74992-2215 |
| | | 74992-3000 | 74992-3001 | 74992-3002 | 74992-3003 | 74992-3004 | 74992-3005 |
| | | 74992-3010 | 74992-3011 | 74992-3012 | 74992-3013 | 74992-3014 | 74992-3015 |
| | | 74992-3100 | 74992-3101 | 74992-3102 | 74992-3103 | 74992-3104 | 74992-3105 |
| | | 74992-3110 | 74992-3111 | 74992-3112 | 74992-3113 | 74992-3114 | 74992-3115 |
| | | 74992-3200 | 74992-3201 | 74992-3202 | 74992-3203 | 74992-3204 | 74992-3205 |
| 74992-3210 | 74992-3211 | 74992-3212 | 74992-3213 | 74992-3214 | 74992-3215 | | |

DESCRIPTION

The Single Contact Knockout Tool is designed to remove a single compliant contact from a connector and printed circuit board.

It is 66mm (2.6 in.) long by 8mm (.31 in.) diameter, and weights about 0.03kg (1 oz.). See Figure 1.

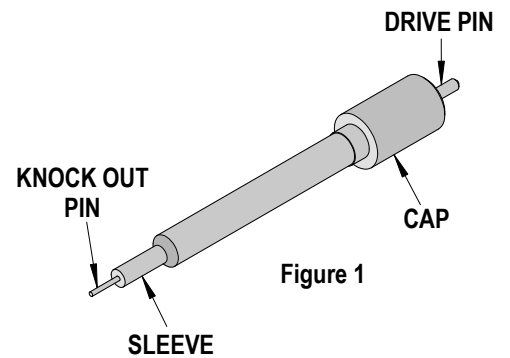


Figure 1

WARNING: Great care must be taken when removing contacts from a connector and printed circuit board. It is very easy to damage the plating on a through-plated hole.

OPERATION:

There are (4) different conditions when removing a single backplane contact from a connector. See Figure 2.

Each condition requires a different removal technique. Some may require additional tooling.

Example No.1

If contact is intact use Removal Option No.1 or No.2.

Example No.2

If contact mating post is broken off use Removal Option No.1 or No.2.

Example No.3

If contact flag is broken off, and part of the contact is above board surface, use Removal Option No.1 or No.2.

Example No.4

If contact flag is broken off, and remainder of contact is below the board surface, use Removal Option No.3.

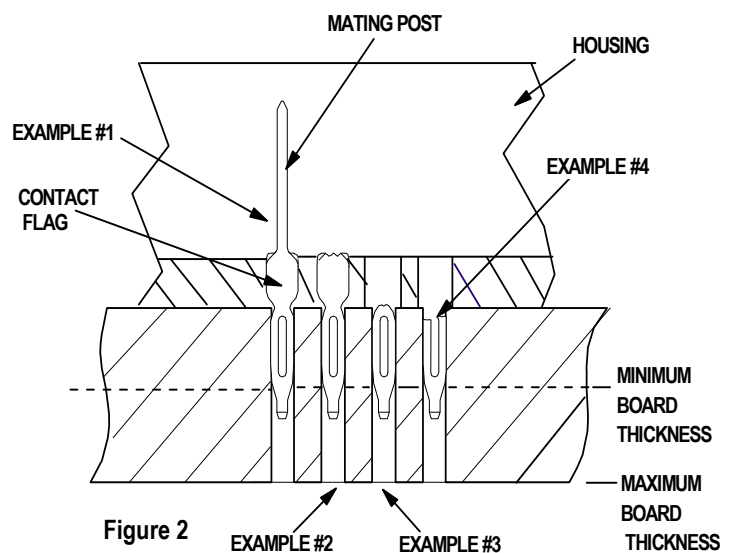
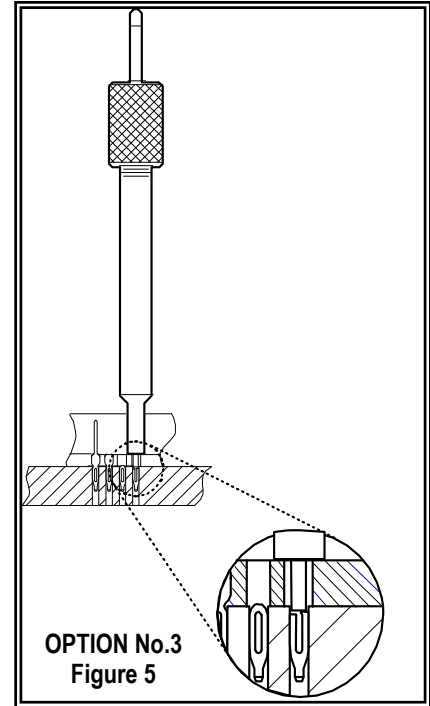
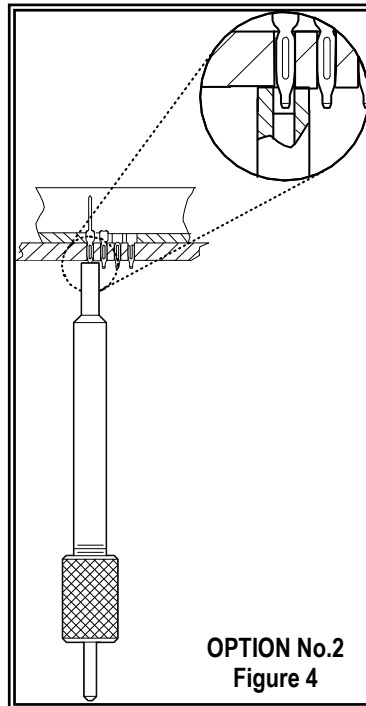
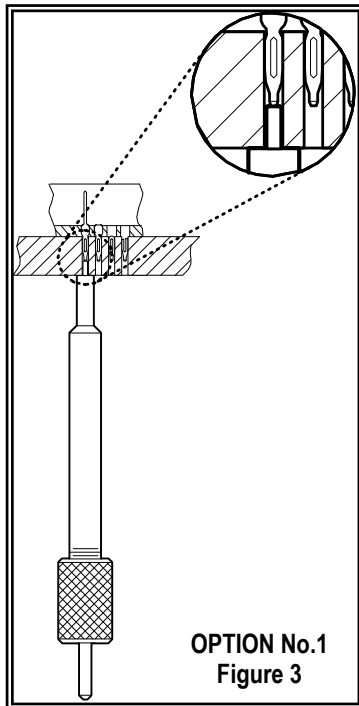


Figure 2



Removing a Contact Pin (See Figure 1)

Option No.1

If the printed circuit board is too thick and the contact pin does not protrude from the back, use the Knockout Tool by placing it into the contact hole of the damaged contact pin from the back of the printed circuit board. Gently tap the drive pin of the knockout tool with a small hammer until the contact becomes loose. Then gently pull it out. See Figure 3.

WARNING: Eye protection should be worn when using a hammer.

Option No.2

If the printed circuit board is too thin and the contact pin sticks out the back, use the Knockout Tool by placing the sleeve over the damaged contact pin from the back of the printed circuit board. Gently tap the drive pin of the knockout tool with a small hammer until the contact becomes loose. Then gently pull it out. See Figure 4.

Option No.3

To use the Knockout Tool from the top of the printed circuit board, place it into the contact hole where the damaged pin is located. Gently tap the drive pin of the knockout tool with a small hammer until the contact becomes loose. Then gently pull it out. See Figure 5.

Molex does not offer repair parts for the Knockout Tool due to the inexpensive nature of these tools.

<http://www.molex.com>