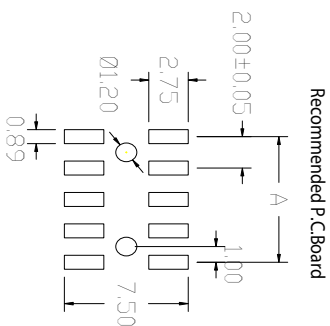
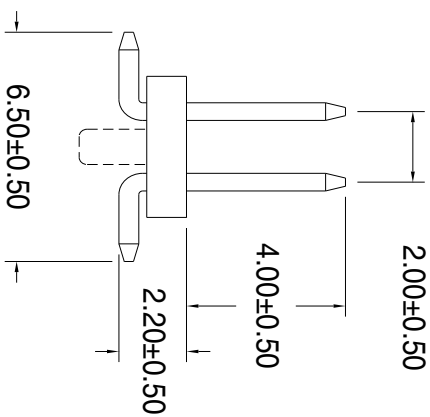
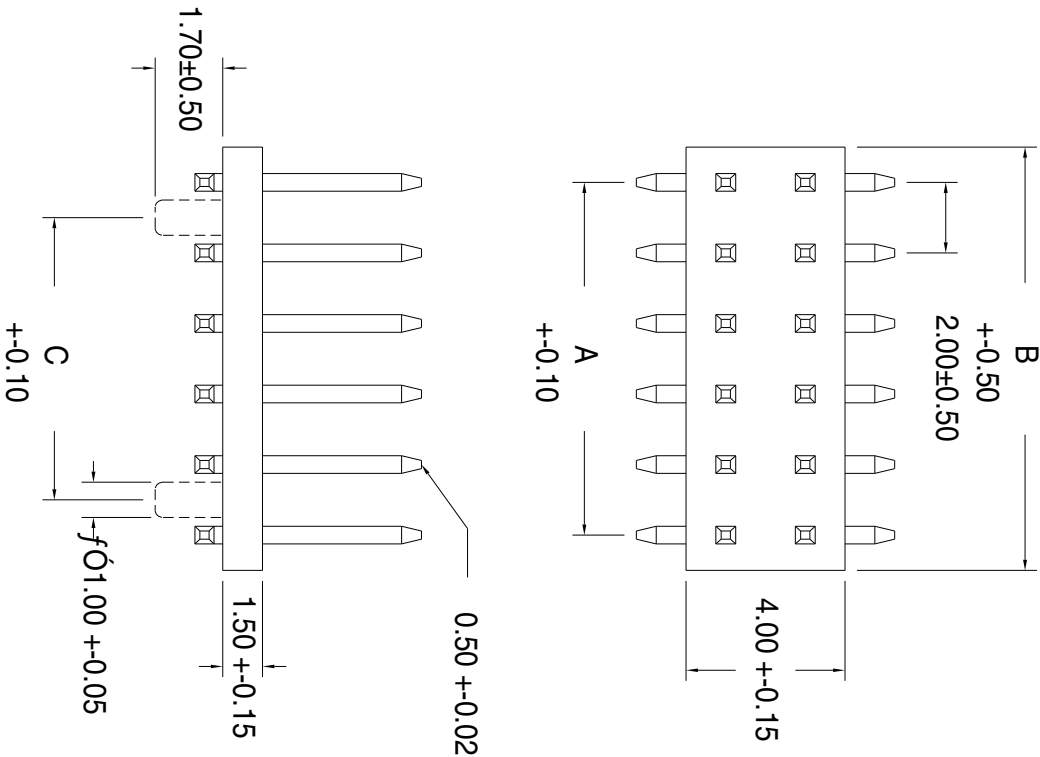


No. of Contacts/ Positions	DIMENSIONS		
	A	B	C
02/01	N/A	2.00	N/A
04/02	2.00	4.00	N/A
06/03	4.00	6.00	2.00
08/04	6.00	8.00	4.00
10/05	8.00	10.00	6.00
12/06	10.00	12.00	8.00
14/07	12.00	14.00	10.00
16/08	14.00	16.00	12.00
18/09	16.00	18.00	14.00
20/10	18.00	20.00	16.00
22/11	20.00	22.00	18.00
24/12	22.00	24.00	20.00
26/13	24.00	26.00	22.00
28/14	26.00	28.00	24.00
30/15	28.00	30.00	26.00
32/16	30.00	32.00	28.00
34/17	32.00	34.00	30.00
36/18	34.00	36.00	32.00
38/19	36.00	38.00	34.00
40/20	38.00	40.00	36.00
42/21	40.00	42.00	38.00
44/22	42.00	44.00	40.00
46/23	44.00	46.00	42.00
48/24	46.00	48.00	44.00
50/25	48.00	50.00	46.00



SPECIFICATIONS

Current Rating: 1 Amp
 Insulator Resistance: 5000 Mega Ohms min.
 Dielectric Withstanding: AC 500 V
 Operating Temperature: -40 Degrees C. to +105 Degrees C.
 Max Processing Temp: 230 Degrees C. for 30-60 seconds (260 Degrees C. for 10 seconds)

Contact Material: Brass
 Insulator Material: Polyester, UL 94V-0
 Contact Finish: Gold flash all over

© Standard: Nylon-6T

NOTE: Replace "xx" with number of positions to complete part number.

SULLINS

801 E. MISSION RD.
 SAN MARCOS, CA 92069

GENERAL TOLERANCE	SCALE	DRAWN	DATE	DWG. NO.	TITLE	REV.
XX +	5:1	CHECK	DATE	T0017B		SHEET
X ++	MM	APPROVE	DATE			
X +	A4					
XX +						

PARTS NO. PRPNxx2MAMP (WITH LOCATION PEG)
 PRPNxx2MAMS (WITHOUT LOCATING PEG)