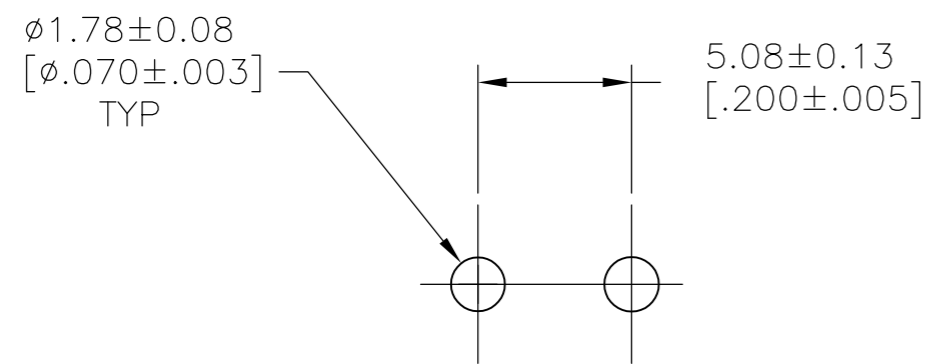
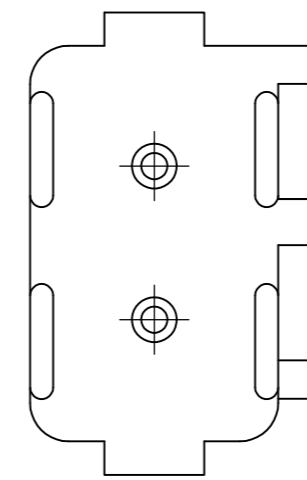
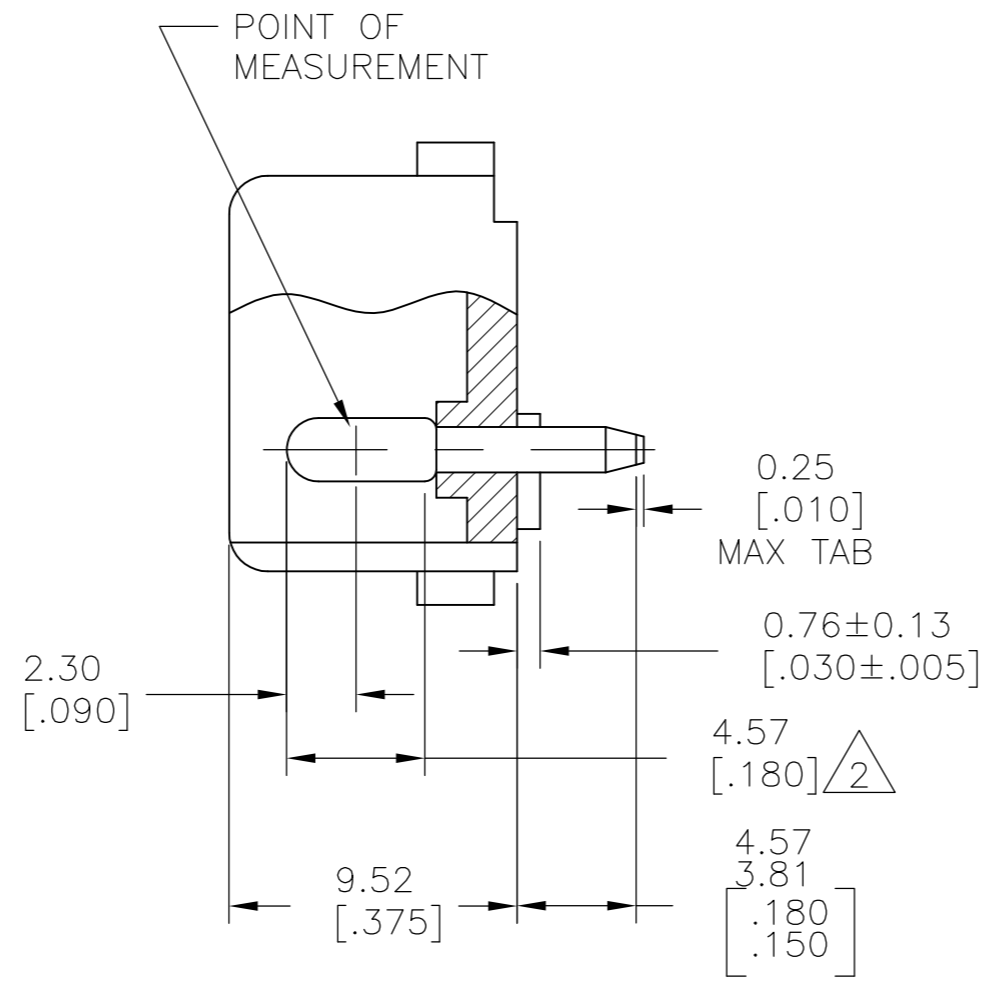
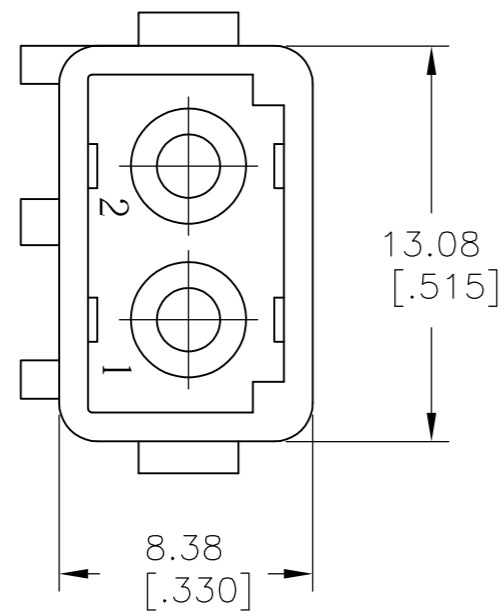


THIS DRAWING IS UNPUBLISHED. RELEASED FOR PUBLICATION
 © COPYRIGHT - By - ALL RIGHTS RESERVED.

LOC	DIST	REVISIONS			
P	LTR	DESCRIPTION	DATE	DWN	APVD
CM	53	S1	REVISED PER ECO-11-004820	11MAR11	RK HMR

- 1 PARTS COMPLY WITH AMP SOLDERABILITY SPEC NO. 109-11-3.
- 2 CONTACT IS PLATED OVERALL WITH 0.00127[.000050] NICKEL THEN 0.000762[.000030] GOLD OVER CONTACT LENGTH INDICATED AND MATTE TIN ON SOLDER TAIL END.



RECOMMENDED LAYOUT FOR
 1.57[.062] THICK P.C. BOARD

COPPER ALLOY-PRE TIN	NYLON, NATURAL UL94V-0	350209-3
COPPER ALLOY-GOLD 2	NYLON, NATURAL UL94V-2	350209-2
COPPER ALLOY-PRE TIN	NYLON, NATURAL UL94V-2	350209-1
PIN MAT'L & COLOR	HSG, MAT'L & COLOR	ASS'Y NUMBER

THIS DRAWING IS A CONTROLLED DOCUMENT.		DWN RAGHAVENDRA 18MAR09	TE TE Connectivity	
DIMENSIONS: mm [INCHES]		CHK SARVER MICHAEL 18MAR09		
TOLERANCES UNLESS OTHERWISE SPECIFIED:		APVD SARVER MICHAEL 18MAR09	NAME 2 CIRCUIT MATE-N-LOK P.C. BOARD HEADER	
0 PLC ± -		PRODUCT SPEC	SIZE CAGE CODE DRAWING NO RESTRICTED TO	
1 PLC ± -		APPLICATION SPEC	A2 00779 C=350209	
2 PLC ± -		FINISH	SCALE 4:1 SHEET 1 OF 1 REV S1	
3 PLC ± 0.38[.015]		WEIGHT -		
4 PLC ± -		CUSTOMER DRAWING		
ANGLES ± 1°				
MATERIAL SEE TABLE				